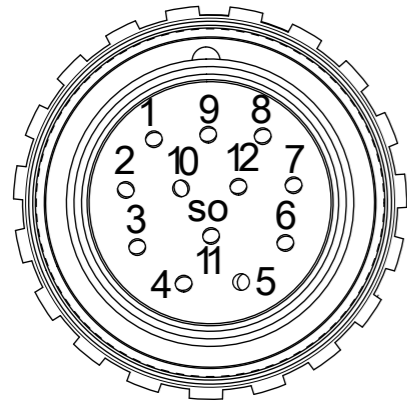


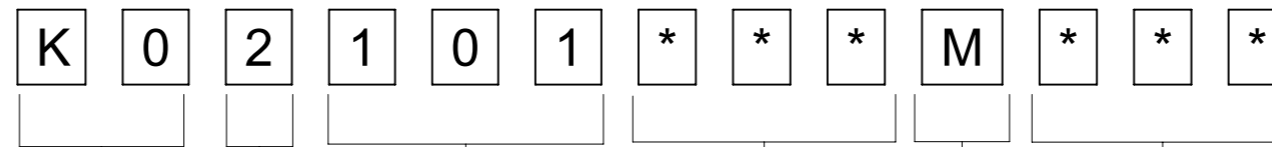
# M23 12P FEMALE VIEW FROM FRONT SIDE



B80-11	
PIN	COLOR
1	WH
2	GN
3	YE
4	GY
5	GY/PK
6	RD/BU
7	WH/GN
8	BR/GN
9	BU
10	
11	BN
12	GN/YE

P80-11	
PIN	COLOR
1	WH
2	GN
3	YE
4	GY
5	PK
6	RD
7	BK
8	VL
9	BU
10	
11	BN
12	GN/YE

## PART NO MATRIX



K0 = M23x1  
SINGLE ENDED

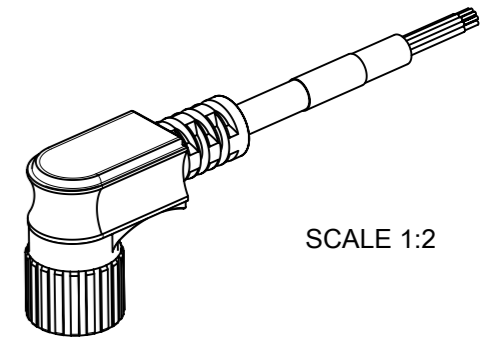
POLES:  
2 = 12 POLES

HEADER:  
101 = 11 WAY FEMALE RIGHT ANGLE

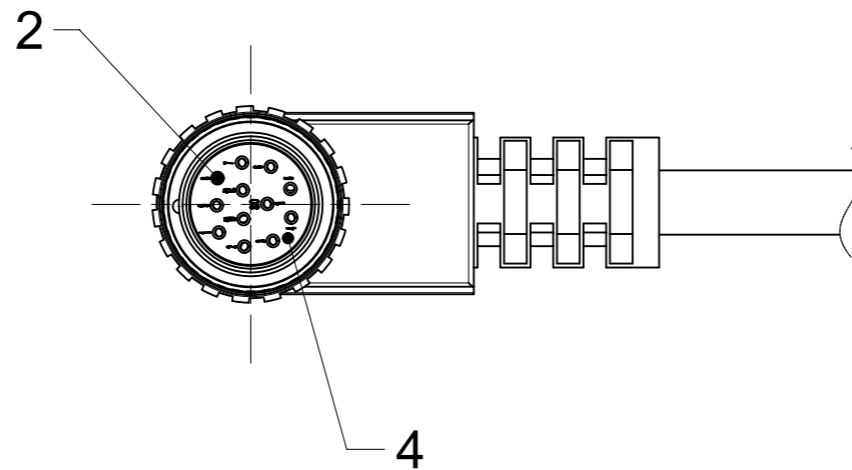
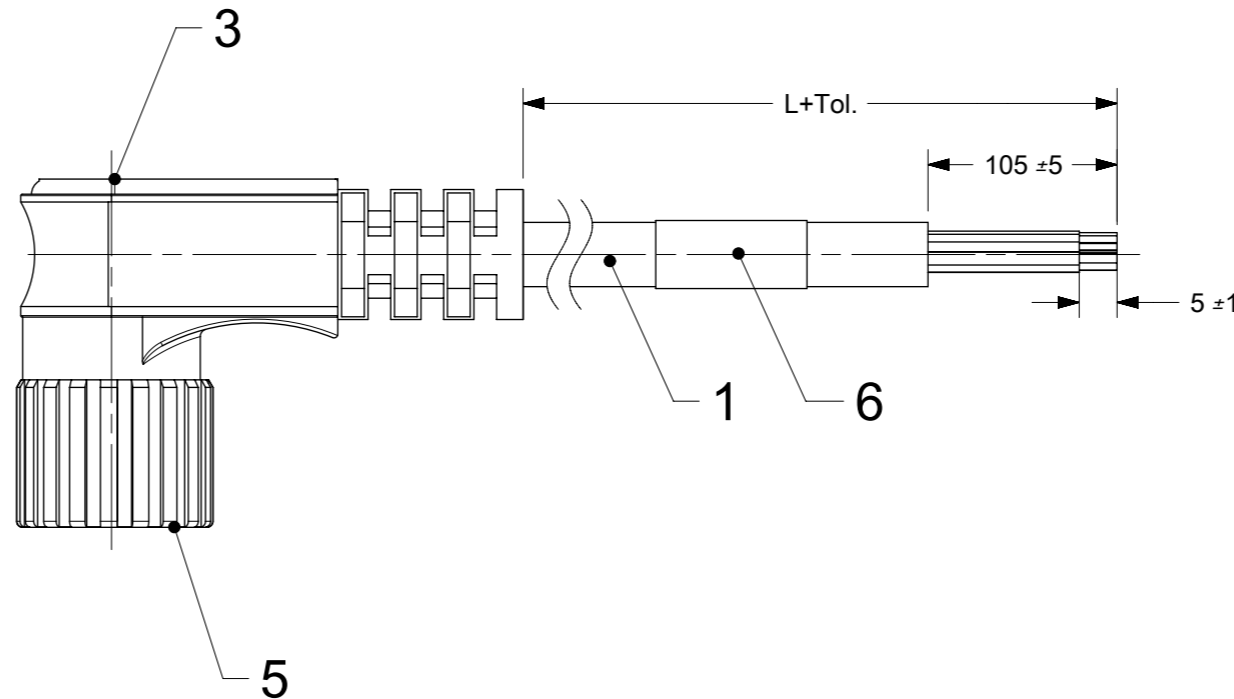
CABLE TYPE

UNIT:  
M = METER

LENGTH:  
EXAMPLE:  
010 = 1 m  
050 = 5 m  
100 = 10 m



SCALE 1:2



## BOM

ITEM No.	QTY	DESCRIPTION	MATERIAL	FINISH
6	1	LABEL	-	YELLOW
5	1	M23 FEMALE COUPLING NUT	BRASS	Ni-PLATED
4	1	M23 FEMALE INSERT 12P	TPU	BLACK
3	1	OVERMOULD	TPU	BLACK
2	12	CONTACTS FE	Bronze	Ni-PLATED
1	-	CABLE	SEE MATRIX	BLACK

THIS DRAWING CONTAINS INFORMATION THAT IS PROPRIETARY TO MOLEX ELECTRONIC TECHNOLOGIES, LLC AND SHOULD NOT BE USED WITHOUT WRITTEN PERMISSION DIMENSION UNITS: <b>mm</b> SCALE: <b>1:1</b>		CURRENT REV DESC: EC NO: 601426 DRWN: SSM 2018/07/12 CHK'D: SSM 2018/07/13 APPR: RSILLER 2018/07/13		<h1 style="margin: 0;">molex</h1>	
GENERAL TOLERANCES (UNLESS SPECIFIED) ANGULAR TOL ± 1.0° 4 PLACES ± 3 PLACES ± 2 PLACES ± 0.05 1 PLACE ± 0.3 0 PLACES ± 0.5		INITIAL REVISION: DRWN: MMAJGAT 2016/04/14 APPR: MIWASIECZKO 2016/08/02		PRODUCT CUSTOMER DRAWING DOCUMENT NUMBER: <b>1200948148</b> DOC TYPE: PSD DOC PART: OOP REVISION: A2	
DRAFT WHERE APPLICABLE MUST REMAIN WITHIN DIMENSIONS THIRD ANGLE PROJECTION		DRAWING: A3-SIZE SERIES: 120094		MATERIAL NUMBER: SEE SHEET 2 CUSTOMER: GENERAL MARKET SHEET NUMBER: 1 OF 2	

LENGTH	Tolerance
<=1m	+40mm
1-5m	+60mm
>5-10m	+80mm
>10m	+140mm
>20m	160mm
>30m	+1%

WIRING DIAGRAM FOR CABLE TYPE B80

- 1) White
  - 2) Green
  - 3) Yellow
  - 4) Grey
  - 5) Grey/Pink
  - 6) Red/Blue
  - 7) White/Green
  - 8) Brown/Green
  - 9) Blue
  - 10) Blue
  - 11) Brown
  - 12) Green/Yellow
- Contacts 9 and 10 connected the same wire.

WIRING DIAGRAM FOR CABLE TYPE P80

- 1) White
  - 2) Green
  - 3) Yellow
  - 4) Grey
  - 5) Pink
  - 6) Red
  - 7) Black
  - 8) Violet
  - 9) Blue
  - 10) Blue
  - 11) Brown
  - 12) Green/Yellow
- Contacts 9 and 10 connected the same wire.

PART LIST


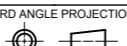
Molex P/N	Engineering P/N	L[mm]
1200948148	K02101B80M010	1000
1200948149	K02101B80M050	5000
1200948150	K02101B80M100	10000
1200948151	K02101B80M150	15000
1200948152	K02101B80M200	20000
1200948153	K02101B80M300	30000
1200948140	K02101P80M010	1000
1200940124	K02101P80M050	5000
1200940125	K02101P80M100	10000
1200948038	K02101P80M150	15000
1200948058	K02101P80M200	20000
1200948059	K02101P80M300	30000

CABLE SPECIFICATION FOR CABLE TYPE B80:

CONDUCTOR A:  
 MATERIAL: BARE COPPER  
 SECTION: 0.75mm<sup>2</sup>/19AWG  
 STRANDING: 42X0.15mm  
 INSULATION A:  
 COMPOUND: TPE  
 DIAMETER: 1.75±0.10mm  
 CONDUCTOR B:  
 MATERIAL: BARE COPPER  
 SECTION: 0.34mm<sup>2</sup>/22AWG  
 STRANDING: 42X0.10mm  
 INSULATION B:  
 COMPOUND: TPE  
 DIAMETER: 1.30±0.10mm  
 JACKET:  
 COMPOUND: TPU  
 COLOR: BLACK  
 DIAMETER: 8.50±0.25mm  
 TEMPERATURE RATING: -40°C TO +90°C  
 VOLTAGE RATING: 600V

CABLE SPECIFICATION FOR CABLE TYPE P80 :

CONDUCTOR A:  
 MATERIAL: BARE COPPER  
 SECTION: 0.75mm<sup>2</sup>/19AWG  
 STRANDING: 42X0.15mm  
 INSULATION A:  
 COMPOUND: PVC  
 DIAMETER: 2.10 ±0.10mm  
 CONDUCTOR B:  
 MATERIAL: BARE COPPER  
 SECTION:- 0.34mm<sup>2</sup>/22AWG  
 INSULATION B:  
 COMPOUND: PVC  
 DIAMETER: 1.50 ±0.10mm  
 JACKET:  
 COMPOUND: BLEND PUR  
 COLOR: BLACK  
 DIAMETER: 9.50 ±0.20mm  
 TEMPERATURE RANGE:  
 STATIC: -40°C TO +90°C  
 DINAMIC: -15°C TO +90°C  
 VOLTAGE RATING: 300V

SYMBOLS	THIS DRAWING CONTAINS INFORMATION THAT IS PROPRIETARY TO MOLEX ELECTRONIC TECHNOLOGIES, LLC AND SHOULD NOT BE USED WITHOUT WRITTEN PERMISSION		CURRENT REV DESC:		 CSE M23 12P SC FE RA WSOR XM SE PRODUCT CUSTOMER DRAWING
	▽ = 0	DIMENSION UNITS: mm	SCALE: 1:1		
	▽ = 0	GENERAL TOLERANCES (UNLESS SPECIFIED)			
	▽ = 0	ANGULAR TOL ± 1.0°			
	▽ = 0	4 PLACES ±			
▽ = 0	3 PLACES ±				
▽ = 0	2 PLACES ± 0.05				
▽ = 0	1 PLACE ± 0.3				
▽ = 0	0 PLACES ± 0.5				
□ = 0	DRAFT WHERE APPLICABLE MUST REMAIN WITHIN DIMENSIONS	THIRD ANGLE PROJECTION	DRAWING	SERIES	DOCUMENT NUMBER
▽ = 0			A3-SIZE	120094	1200948148
					DOC TYPE: PSD
					DOC PART: 00P
					REVISION: A2
					MATERIAL NUMBER: SEE PART LIST
					CUSTOMER: GENERAL MARKET
					SHEET NUMBER: 2 OF 2