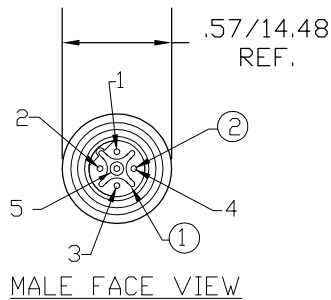
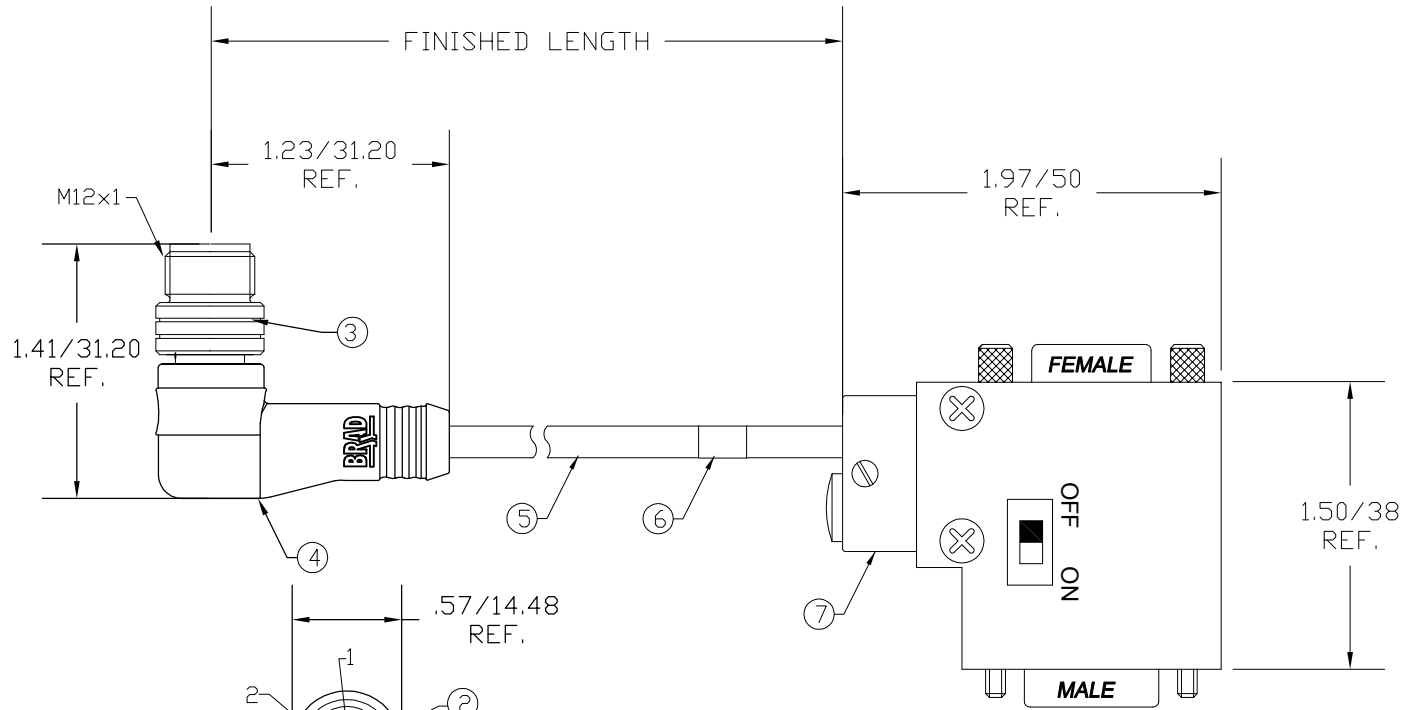


MATERIAL NUMBER	OLD PART NUMBER	FINISHED LENGTH
1200980181	BP5S63PPM010	3.28' +2.19" -0 [1.0M +55.6 -0]
1200980182	BP5S63PPM050	16.40' +6.50" -0 [5.0M +165.1 -0]

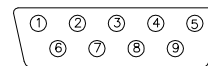


1	NOT CONNECTED	
2	GREEN (LINE A)	8
3	NOT CONNECTED	
4	RED (LINE B)	3
5	DRAIN WIRE	

WIRING DIAGRAM

PINS 1, 2, 4, 5, 7, & 9 ARE NOT CONNECTED ON D-SUB

Male Face View



9 Way D-Sub

VOLTAGE RATING	250 VAC/VDC
AMPERAGE RATING	4 AMPS
PROTECTION FOR M12 CONNECTOR	IP67
PROTECTION FOR D-SUB	IP40
OPERATING TEMPERATURE	-20°C TO 80°C

ITEM	COMPONENT	MATERIAL	FINISH
1	INSERT	NYLON	BLACK
2	CONTACT PIN	COPPER ALLOY	GOLD OVER NICKEL
3	COUPLING NUT	BRASS	NICKEL PLATED
4	OVERMOLD	PUR	YELLOW
5	CABLE- 22 AWG, COPPER STRANDING TWISTED PAIR SHIELD WITH BRAID	PUR	PURPLE
6	LABEL	MLYAR	BLACK/YELLOW
7	D-SUB	ABS	BLACK

RLSD DRAWING
EC NO: WNA2010-0143
DRWN: TWOLDEGE 8/26/09
CHKD: BWOODMAN
APPR: JFMURPHY 2009/08/28

QUALITY SYMBOLS
▽=0
▽C=0

DESCRIPTION

	GENERAL TOLERANCES (UNLESS SPECIFIED)	
	mm	INCH
4 PLACES	±---	±---
3 PLACES	±---	±---
2 PLACES	±---	±.01
1 PLACE	±0.3	±---
ANGULAR ±--°		
DRAFT WHERE APPLICABLE MUST REMAIN WITHIN DIMENSIONS		

DIMENSION STYLE	
IN/MM	SCALE
DRAWN BY DATE TWOLDEGE 2009/08/26	---
CHECKED BY DATE BWOODMAN 2009/08/26	---
APPROVED BY DATE JFMURPHY 2009/08/27	---
MATERIAL NO.	SIZE A

THIRD ANGLE PROJECTION

TITLE
**MICRO-CHANGE CORDSET
5P MALE PROFIBUS TO DSUB
PUR CABLE**

MOLEX INCORPORATED

DOCUMENT NO. **SD-120098-004** SHEET NO. **1 OF 1**

THIS DRAWING CONTAINS INFORMATION THAT IS PROPRIETARY TO MOLEX INCORPORATED AND SHOULD NOT BE USED WITHOUT WRITTEN PERMISSION