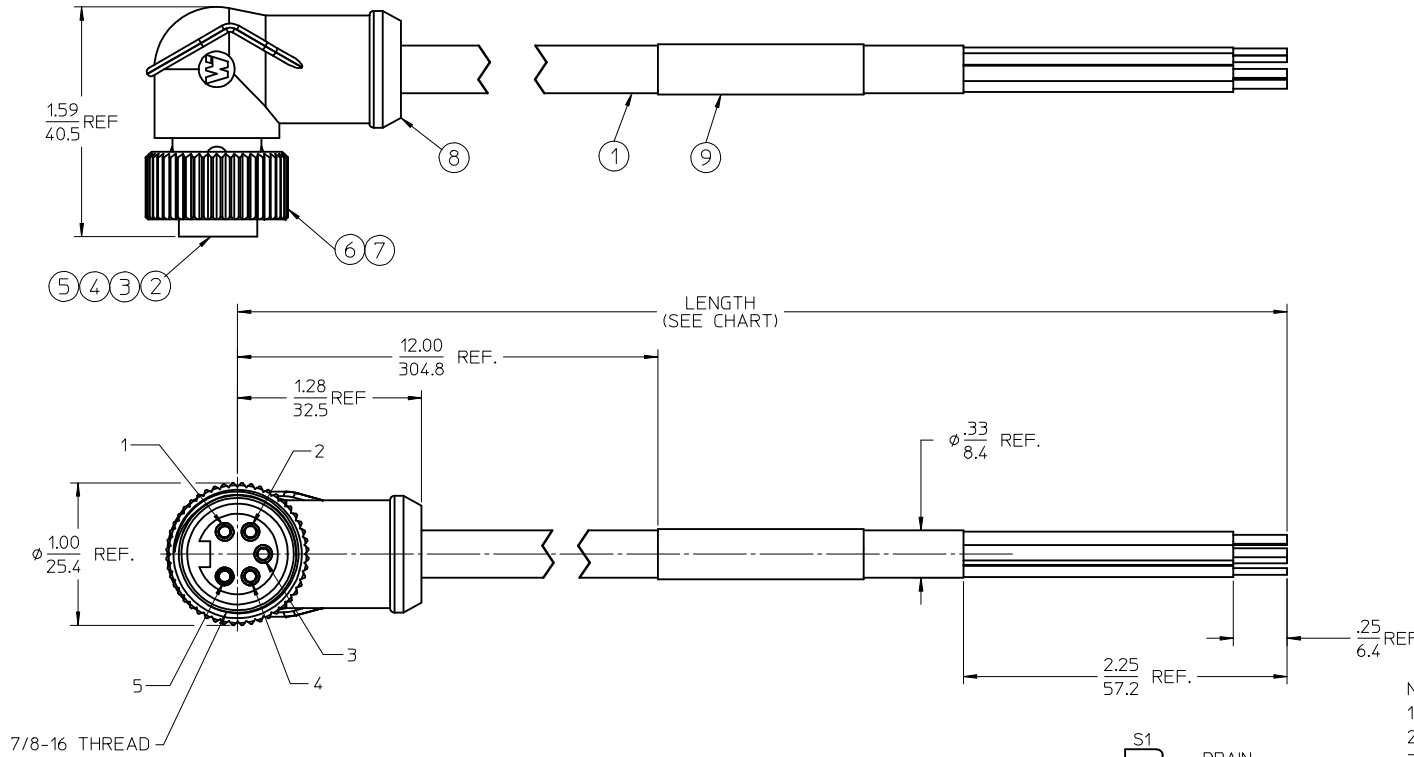
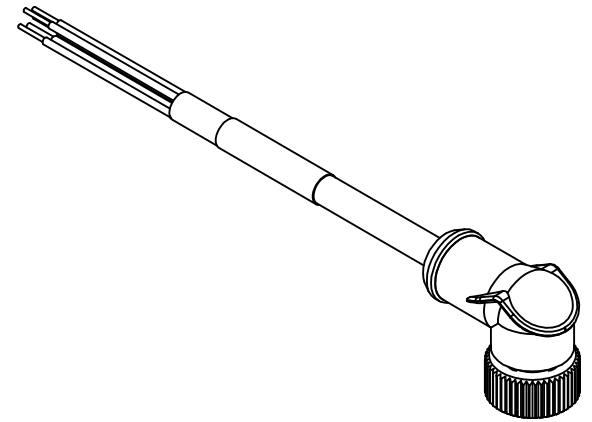


PART NUMBER	ENGINEERING NO.	LENGTH
1300240178	DNB90A-M010	3' 3" +2.19 - 0 [ 1.0M +55.6 - 0 ]
1300240344	DN90A-M030	9' 10" +3.50 - 0 [ 3.0M +88.9 - 0 ]
1300240180	DNB90A-M050	16' 5" +6.50 - 0 [ 5.0M +165.1 - 0 ]



S1	DESCRIPTION
1	DRAIN
2	RED +V
3	BLACK -V
4	WHITE CAN H
5	BLUE CAN L

WIRING DIAGRAM

- NOTES:
1. MATERIAL: SEE TABLE
  2. FINISHES: SEE TABLE
  3. CABLE ASSEMBLIES ARE BAGGED SEPERATELY IN POLY BAGS WITH BARCODE LABEL ATTACHED TO OUTSIDE OF BAG
  4. WRAP LABEL IS MARKED WITH P/N, DATE CODE VOLTAGE & AMPERAGE
  5. MATES WITH: MINI CHANGE, A-SIZE 5 POLE RECEPTACLE
  6. ELECTRICAL SPECIFICATIONS:  
VOLTAGE RATING: 300V  
CURRENT RATING: 4 AMPS
  7. ASSEMBLY IS RoHS COMPLIANT

ITEM	QTY.	DESCRIPTION	MATERIAL	FINISH
9	1	LABEL	PLASTIC FILM	BLACK/YELLOW
8	1	OVERMOLD	PVC	GRAY
7	1	COUPLING NUT	ZINC DIE CAST	BLACK
6	1	FRICTION RING	NYLON	WHITE
5	5	SOCKET SLEEVE	ST. STEEL	
4	3	CONTACT SOCKET, 20 AWG	BRASS	GOLD PLATED
3	2	CONTACT SOCKET, 16 AWG	BRASS	GOLD PLATED
2	1	INSERT, FEMALE, 5 POLE	PVC	GRAY
1	1	CABLE-MID, DEV-NET, TRUNK, 20/2, 16/2	PVC JACKET	GRAY

RELEASED EC NO: MNA2010-0048 DRAWN BY: B.RUPERT CHKD: WOODMAN APPR: J.MURPHY	DESCRIPTION 2009/07/20	QUALITY SYMBOLS ▽=0 ▽=0	GENERAL TOLERANCES (UNLESS SPECIFIED)		DIMENSION STYLE IN/MM		SCALE 1.5:1	DESIGN UNITS INCH	THIRD ANGLE PROJECTION			
			4 PLACES ± --- ± ---	3 PLACES ± --- ± ---	2 PLACES ± --- ± ---	1 PLACE ± --- ± ---	DRAWN BY B.RUPERT	DATE 2010/07/06	TITLE MINI-CHANGE FEMALE, 5P 90 DEG, DEVICE NET TRUNK CABLE - MID			
			ANGULAR ±1/2°				CHECKED BY B.WOODMAN	DATE 2010/07/06	APPROVED BY J.MURPHY DATE 2010/07/06			
DRAFT WHERE APPLICABLE MUST REMAIN WITHIN DIMENSIONS				SEE CHART		MATERIAL NO. DOCUMENT NO.		MOLEX INCORPORATED			SHEET NO. 1 OF 1	
THIS DRAWING CONTAINS INFORMATION THAT IS PROPRIETARY TO MOLEX INCORPORATED AND SHOULD NOT BE USED WITHOUT WRITTEN PERMISSION												