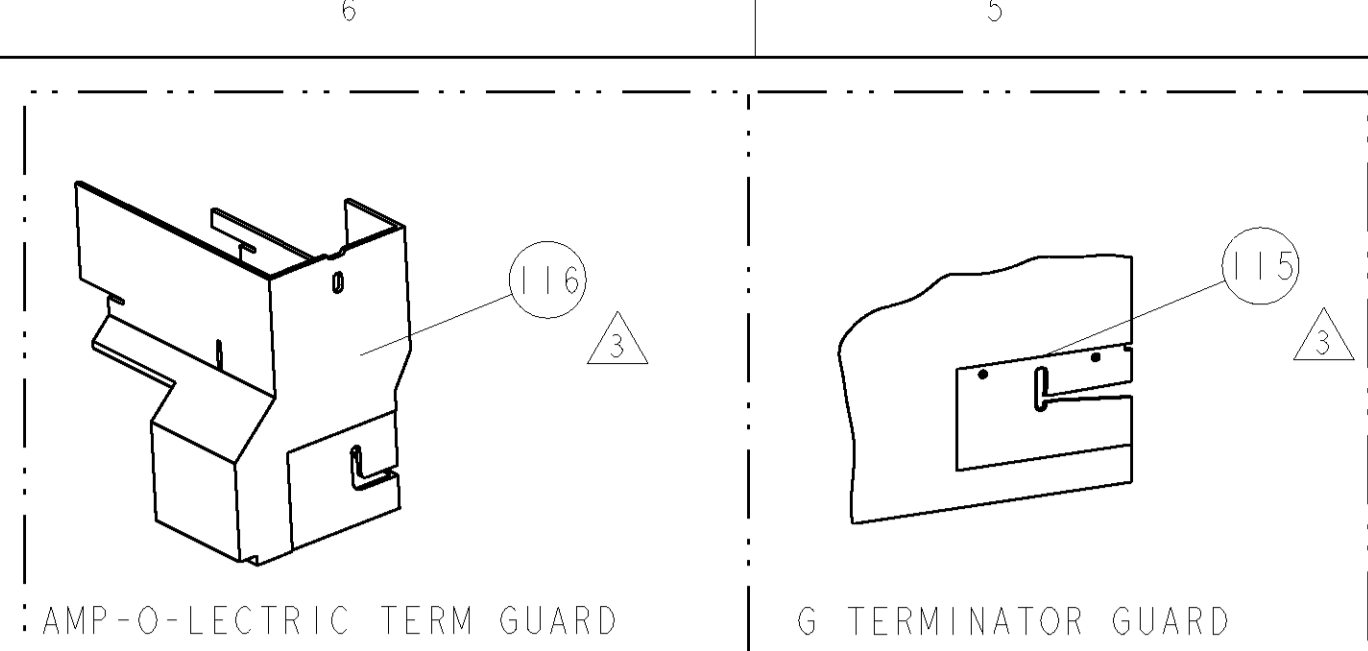


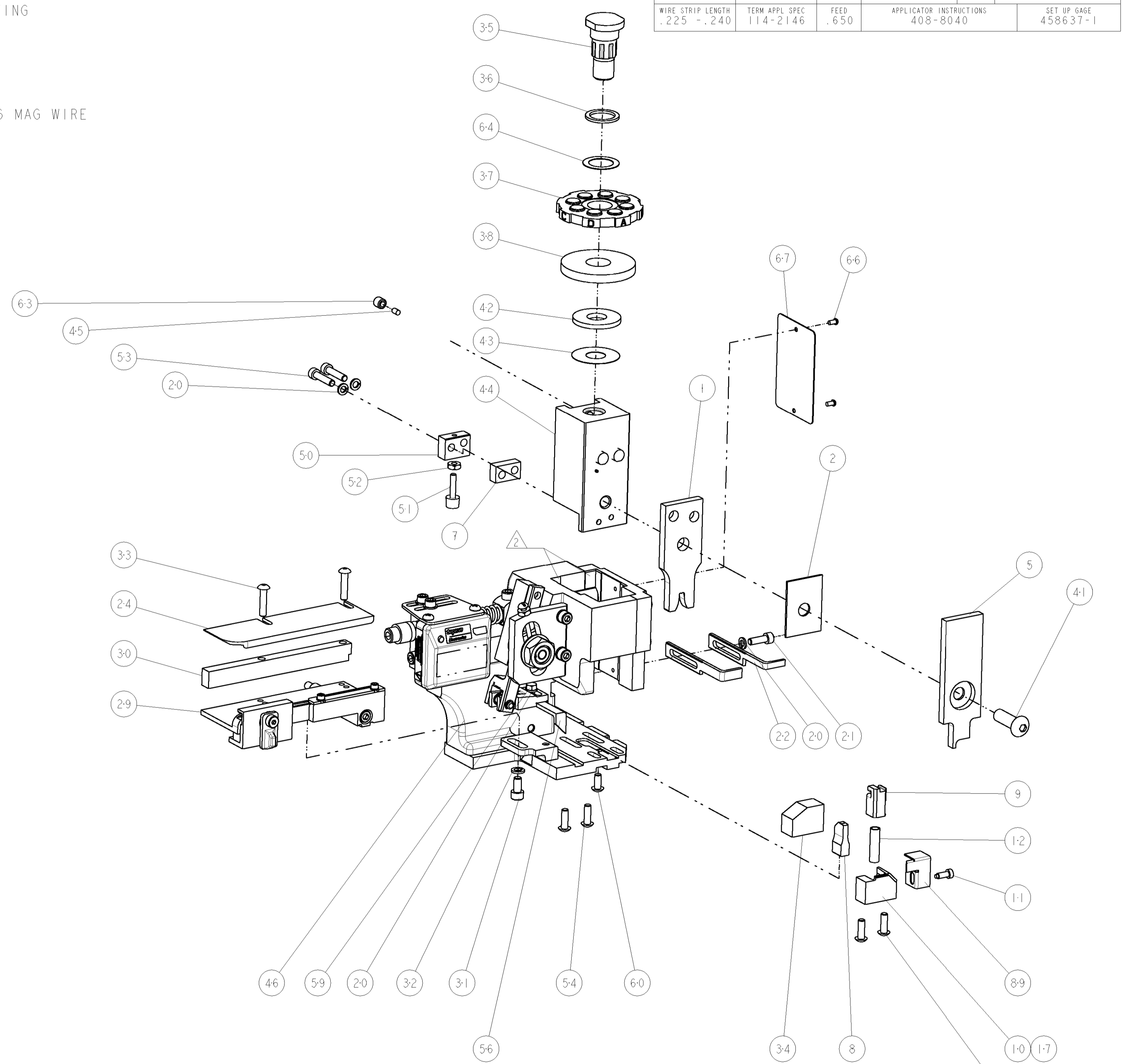
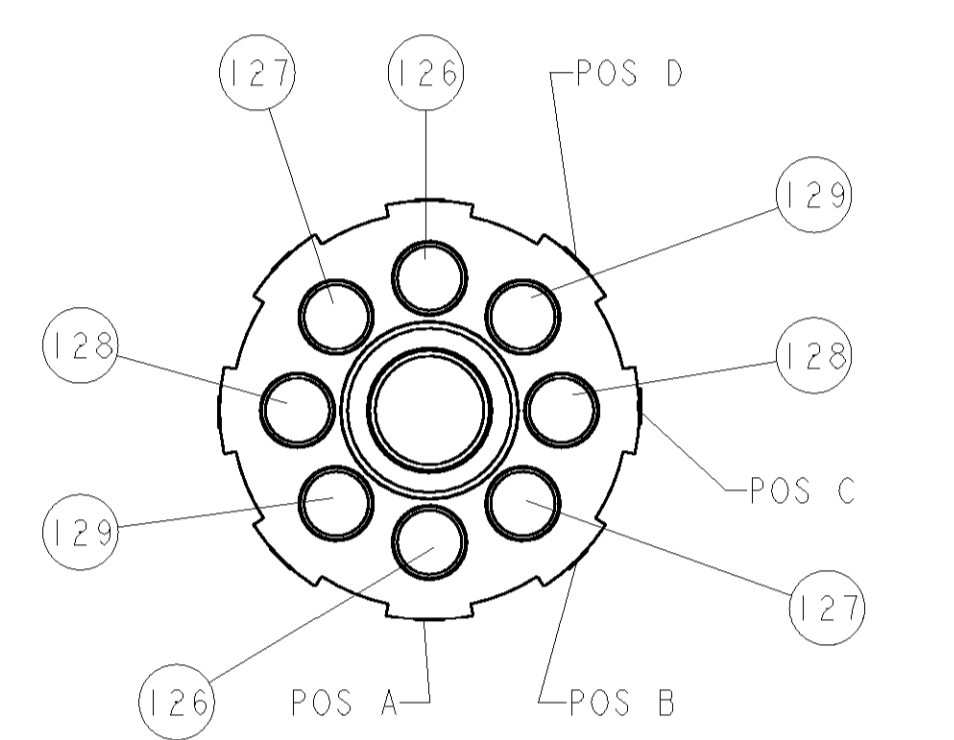
PART NUMBER	REV	FIRST USED	POWER UNIT	FEED TYPE	DESCRIPTION
1852372-1	A	122500-1	LEADMAKER	POST FEED	CUTS CARRIER
1852372-2	A	565435-5	BENCH MODEL K	PRE FEED	CUTS CARRIER
1852372-3	A	354500-1	BENCH MODEL G	PRE FEED	CUTS CARRIER
1852372-6	A	122500-1	LEADMAKER	POST FEED	CONTINUOUS CARRIER
7-1852372-7	A	-	-	-	SPARE PARTS



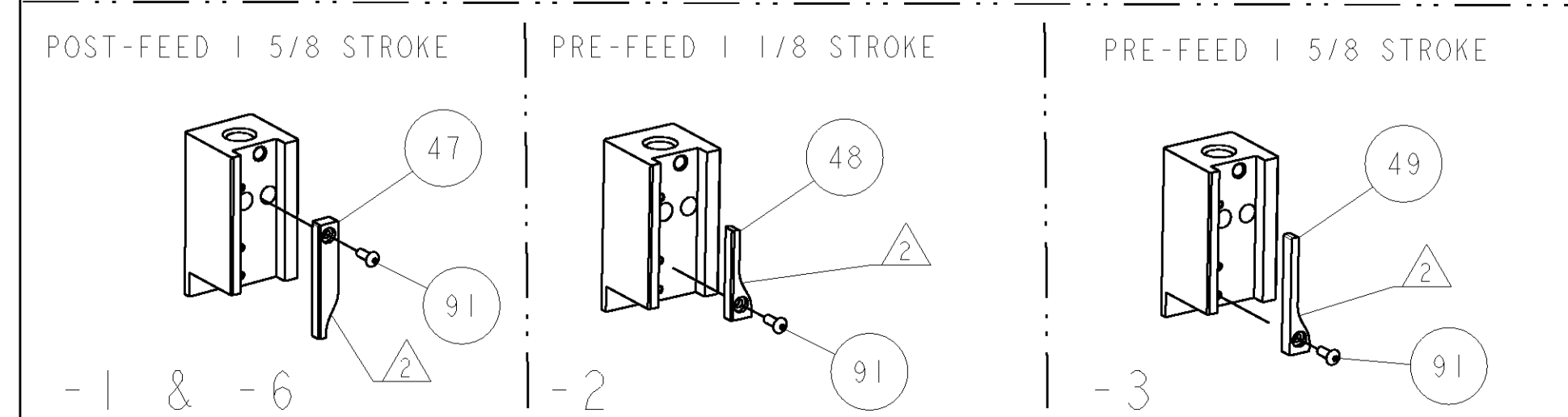
TERMINAL NAME: .250 SERIES AMPLIVAR TAB			
TYCO PN	AMP TERMINAL	AMP CRIMP SPECS	
1742265-1	-	-	
-	-	PAD LTR	CRIMP HEIGHT
-	-	A	.098±.002[2.49±0.05mm]
-	-	B	.094±.002[2.39±0.05mm]
-	-	C	.090±.002[2.29±0.05mm]
-	-	D	.085±.002[2.16±0.05mm]
-	-	CRIMP	SIZE
-	-	WIRE	.140 [3.56mm]
-	-	INSUL	-
WIRE STRIP LENGTH	TERM APPL SPEC	FEED	APPLICATOR INSTRUCTIONS
.225 - .240	114-2146	.650	408-8040
			SET UP GAGE
			458637-1

LOC	DIST	REV	DESCRIPTION	DATE	BY	APPD
A	66		RELEASED	05JAN2007	MEH	TE

- RECOMMENDED SPARE PARTS
- GREASE LIGHTLY
- GUARD MUST BE IN PLACE WHEN OPERATING APPLICATOR IN A BENCH MACHINE
- REFER TO TERMINAL CUSTOMER DRAWING FOR CRIMP HEIGHT CALCULATIONS.
- SET-UP WIRE SIZES:  
 PAD-A: (1) #15 MAG WIRE & (1) #16 MAG WIRE  
 PAD-B: (1) #13 MAG WIRE  
 PAD-C: (1) #14 MAG WIRE  
 PAD-D: (1) #15 MAG WIRE



-	2	2	2	2	-	7-354778-9	PIN, WIRE DISC, .2890	129
-	2	2	2	2	-	6-354778-7	PIN, WIRE DISC, .2830	128
-	2	2	2	2	-	5-354778-9	PIN, WIRE DISC, .2790	127
-	2	2	2	2	-	4-354778-9	PIN, WIRE DISC, .2740	126
-	-	-	REF	-	..	455749-1	GUARD WINDOW	116
-	-	-	REF	-	..	679532-1	INSERT, GUARD	115
-	1	1	1	1	-	1-21002-7	SCR, BTN SKT HD CAP 6-32 X .375	91
-	1	1	1	1	-	318563-1	GUARD, FRONT CHIP	89
-	1	1	1	1	-	4088040	SF APPL INST 408-8040	72
-	1	1	1	1	-	217238-1	GENERAL INSTRUCTION PKG	71
-	1	1	1	1	-	461264-1	PLATE, IDENTIFICATION	67
-	2	2	2	2	-	21017-2	SCREW, DRIVE	66
-	1	1	1	1	-	986950-1	WASHER, FLAT PRECISION	64
-	1	1	1	1	-	21009-2	SCR, SET, SELF LOCKING 1/4-20 X .250	63
-	1	1	1	1	-	22733-8	SCR, BHSC, SELF-LOCKING, 8-32 X .375	60
-	1	1	1	1	-	2-22603-0	SCR, HEX HD CAP 8-32 X .312	59
-	1	1	1	1	-	458537-2	PAWL, FEED	56
-	4	4	4	4	-	2-21002-2	SCR, BTN SKT HD CAP 8-32 X .500	54
-	2	2	2	2	-	2-21000-9	SCR, SKT HD CAP 8-32 X .750	53
-	1	1	1	1	-	21018-5	NUT, HEX, REG 6-32	52
-	1	1	1	1	-	811242-2	BUMPER, HOLD DOWN	51
-	1	1	1	1	-	690753-1	SPACER, TONKER	50
-	-	-	1	-	..	690602-6	CAM, PRE FEED, 1 5/8	49
-	-	-	1	-	..	690602-5	CAM, PRE FEED, 1 1/8	48
-	1	-	-	1	-	690501-4	CAM, POST FEED, 1 5/8	47
-	1	1	1	1	-	459456-1	APPL. BASIC SUB ASSY (SIDE WISE MOCA)	46
-	1	1	1	1	-	690191-1	PLUG, NYLON	45
-	1	1	1	1	-	455673-5	RAM, SIDE FEED	44
-	1	1	1	1	-	690125-1	SHIM SUB-ASSY	43
-	1	1	1	1	-	690124-1	WASHER, RAM (.115)	42
-	1	1	1	1	-	7-21002-9	SCR, BTN SKT HD CAP 5/16-24 X 1.00	41
-	1	1	1	1	-	690223-2	SPACER, INS.	38
-	1	1	1	1	-	354777-1	WIRE DISC, ASSEMBLY	37
-	1	1	1	1	-	22480-5	SPRING, COMPRESSION	36
-	1	1	1	1	-	690212-1	POST, RAM	35
-	1	1	1	1	-	690786-4	TERMINAL SUPPORT	34
-	2	2	2	2	-	2-21002-4	SCR, BTN SKT HD CAP 8-32 X .750	33
-	1	1	1	1	-	21024-5	WASHER, SPRG LOCK, REG NO 10	32
-	1	1	1	1	-	3-21000-4	SCR, SKT HD CAP 10-32 X .375	31
-	1	1	1	1	-	1320908-9	SPACER, STRIP GUIDE	30
-	1	1	1	1	-	1633091-1	ASSEMBLY, STRIP GUIDE	29
-	1	1	1	1	-	1320928-1	PLATE, STRIP GUIDE	24
-	1	-	-	1	-	690472-2	STRIPPER	22
-	1	1	1	1	-	2-21000-7	SCR, SKT HD CAP 8-32 X .500	21
-	4	4	4	4	-	21024-4	WASHER, SPRG LOCK, REG NO 8	20
-	-	1	1	-	-	690472-1	STRIPPER	19
-	1	-	-	-	-	679625-1	SHEAR HOLDER, FRONT (NO CUT)	17
-	1	1	1	1	-	3-22280-3	SPRING, COMPRESSION	12
-	1	1	1	1	-	690461-1	STOP, SHEAR	11
-	-	1	1	1	-	690459-1	SHEAR HOLDER, FRONT	10
-	1	1	1	1	-	454276-1	FLOATING SHEAR, FRONT	9
1	1	1	1	1	-	1633359-4	ANVIL, AMPLIVAR	8
-	1	1	1	1	-	2-240641-5	SPACER	7
-	1	1	1	1	-	3-455889-8	DEPRESSOR, SHEAR	5
-	1	1	1	1	-	1-455888-0	SPACER, CRIMPER	2
1	1	1	1	1	-	4-1673600-7	CRIMPER, WIRE	1



INCHES	TOLERANCES UNLESS OTHERWISE SPECIFIED:	APPROVED	DATE	BY	DESCRIPTION	ITEM NO
0 PLC	± .001	DRN	04DEC2006	HERR	tyco	
1 PLC	± .01	CHK	05DEC2006	T. ELBIN	Electronics	
2 PLC	± .01	APVD	05DEC2006	BENCHOFF	Tyco Electronics	
3 PLC	± .001				Harrisburg, PA 17105-3608	
4 PLC	± .001					
ANGLES	± .0001					
MATERIAL	FINISH	WEIGHT	SCALE	3:5	SHEET	1 OF 1
					REV	A

CUSTOMER VIEWABLE ASSEMBLY