

4

3

2

1

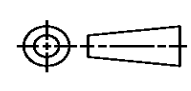
THIS DRAWING IS UNPUBLISHED. RELEASED FOR PUBLICATION
© COPYRIGHT ALL RIGHTS RESERVED.

LOC	DIST	REVISIONS			
P	LTR	DESCRIPTION	DATE	DWN	APVD
	C1	ECR-16-009822	15JUL2016	GK	SD

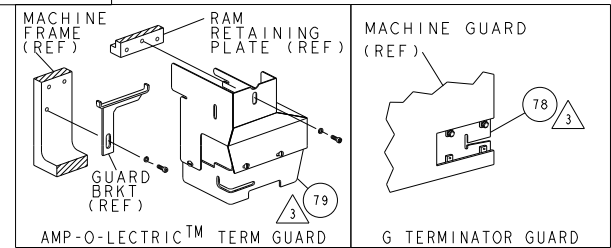
REPLACED BY OCEAN STYLE APPLICATOR PART NUMBER 2150629-1

FOR REPLACEMENT PARTS FOR APPLICATOR 1852770
REFER TO ADDITIONAL PAGE(S). SPARE PARTS KIT (IF LISTED)
WILL REMAIN AVAILABLE.

THE REPLACEMENT OCEAN STYLE APPLICATOR HAS THE
SAME TERMINATOR/PRESS INTERFACE AS APPLICATOR
1852770

THIS DRAWING IS A CONTROLLED DOCUMENT.		DWN	GOPALAKRISHNA HV		
DIMENSIONS:		CHK	GOPALAKRISHNA HV		
		APVD	STOUGH DALE		
		PRODUCT SPEC	NAME		
TOLERANCES UNLESS OTHERWISE SPECIFIED:		APPLICATION SPEC	END FEED HDM APPLICATOR		
0 PLC ±		SIZE	CAGE CODE	DRAWING NO	RESTRICTED TO
1 PLC ±		A3		©- 1852770	
2 PLC ±		CUSTOMER DRAWING		SCALE	SHEET 1 OF 2
3 PLC ±					REV C1
4 PLC ±					
ANGLES ±					
MATERIAL					
FINISH					

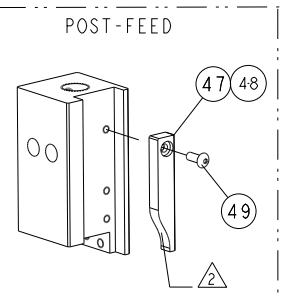
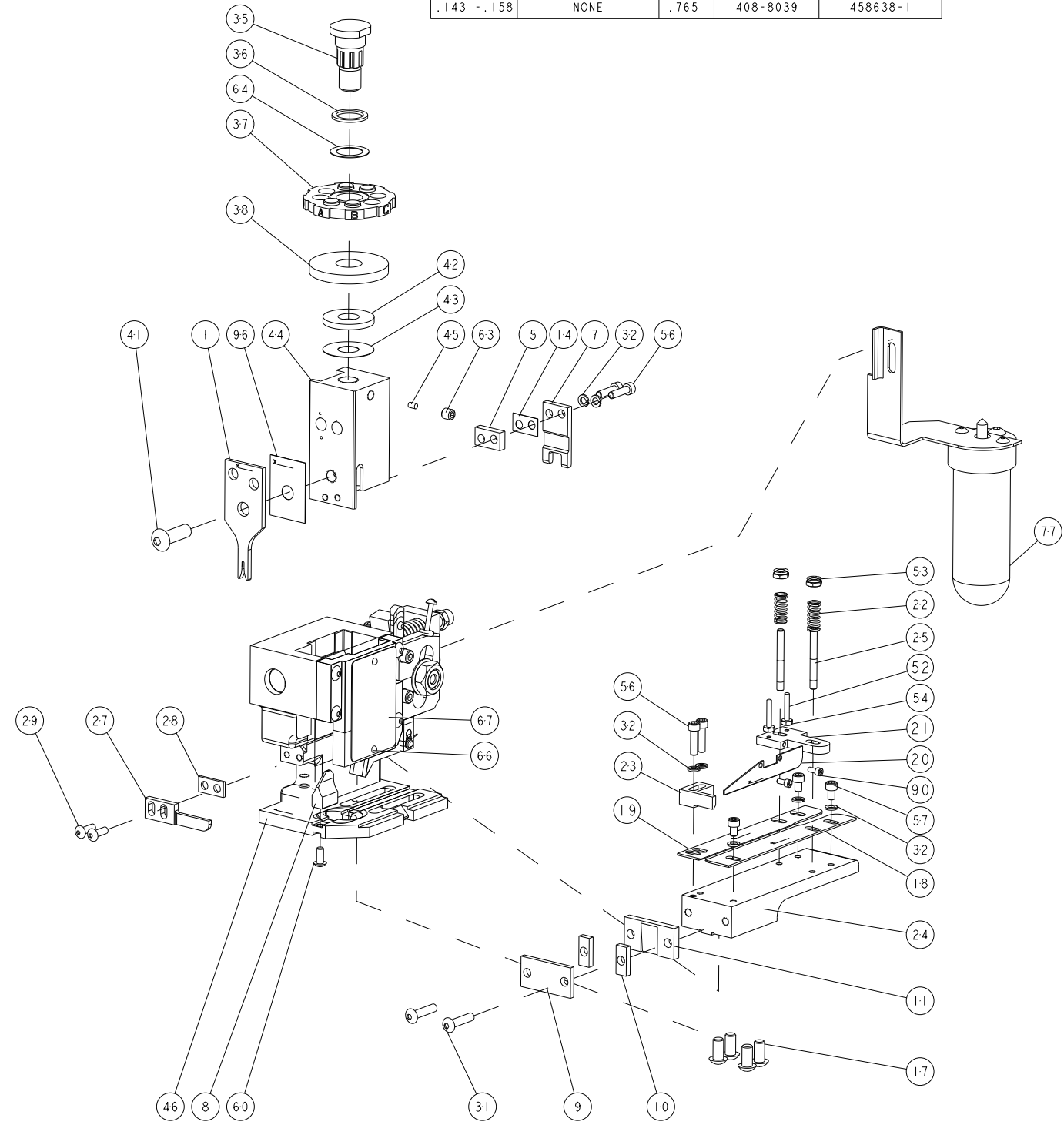
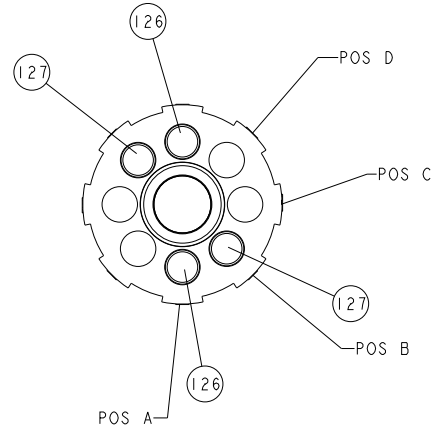
PART NUMBER	REV	FIRST USED	POWER UNIT	FEED TYPE
1852770-1	C	122500-1	LEADMAKER & BENCH MODEL G	POST FEED
1852770-2	C	565435-5	BENCH MODEL K	POST FEED
7-1852770-7	A	-	SPARE PARTS	-



TERMINAL NAME: TAB, WELD		TE TERMINAL - TE CRIMP SPECS	
62827	-		
-	-	PAD LTR	CRIMP HEIGHT
-	-	A	.031±.001 [.79±0.03mm]
-	-	B	.028±.001 [.71±0.03mm]
-	-	C	-
-	-	D	-
-	-	CRIMP	SIZE
-	-	WIRE	.050 [1.27mm]
-	-	INSUL	-
WIRE STRIP LENGTH	TERM APPL SPEC	FEED	APPL INSTRUCTIONS
.143 - .158	NONE	.765	408-8039
			SET UP GAGE
			458638-1

LOC	DIST	REVISIONS			
A	66	REV	DESCRIPTION	DATE	BY
		C	ECR-15-015768	27OCT2015	MR GB

- 1 RECOMMENDED SPARE PARTS
- 2 GREASE LIGHTLY
- 3 GUARD MUST BE IN PLACE WHEN OPERATING APPLICATOR IN A BENCH MACHINE



-	2	2	-	2-354779-2	PIN, WIRE DISC, .3100	127
-	2	2	-	1-354779-4	PIN, WIRE DISC, .3060	126
-	1	1	-	455888-1	SPACER, CRIMPER	96
-	2	2	-	1-21000-3	SCR, SKT HD CAP 4-40 X .250	90
-	REF	-	..	455745-1	GUARD WINDOW	79
-	-	REF	..	679532-1	INSERT, GUARD	78
-	1	-	-	465184-9	LUBRICATOR ASSY	77
-	1	1	-	217238-1	GENERAL INSTRUCTION PKG	72
-	1	1	-	4088039	EF APPL INST 408-8039	71
-	1	1	-	461264-1	PLATE, IDENTIFICATION	67
-	2	2	-	21017-2	SCREW, DRIVE	66
-	1	1	-	986950-1	WASHER, FLAT PRECISION	64
-	1	1	-	21009-2	SCR, SET, SELF LOCKING 1/4-20 X .250	63
-	1	1	-	22733-8	SCR, BHSC, SELF-LOCKING, 8-32 X .375	60
-	2	2	-	2-21000-8	SCR, SKT HD CAP 8-32 X .625	58
-	3	3	-	2-21000-5	SCR, SKT HD CAP 8-32 X .250	57
-	2	2	-	2-21000-8	SCR, SKT HD CAP 8-32 X .625	56
-	2	2	-	21018-4	NUT, HEX, REG 4-40	54
-	2	2	-	21022-2	NUT, LOCK, HEX, TORQUE, 8-32	53
-	2	2	-	4-21078-8	SET SCREW, SOCKET HD, OVAL POINT	52
-	1	1	..	1-21002-7	SCR, BTN SKT CAP 6-32 X .375	49
-	1	-	..	690501-3	CAM, POST FEED, 1 1/8	48
-	-	1	-	690501-4	CAM, POST-FEED 1 5/8	47
-	1	1	-	458980	SUB ASSY, APPLICATOR FRAME	46
-	1	1	-	690191-1	PLUG, NYLON	45
-	1	1	-	455674-1	RAM	44
-	1	1	-	690125-1	SHIM SUB-ASSY	43
-	1	1	-	690124-4	WASHER, RAM (.135)	42
-	1	1	-	7-21002-9	SCR, BTN SKT HD CAP 5/16-24 X 1.00	41
-	1	1	-	690223-1	SPACER, INS.	38
-	1	1	-	354777-1	WIRE DISC, ASSEMBLY	37
-	1	1	-	22480-5	SPRING, COMPRESSION	36
-	1	1	-	690212-1	POST, RAM	35
-	7	7	-	21024-4	WASHER, SPRG LOCK, REG NO 8	32
-	2	2	-	3-21002-0	SCR, BTN SKT HD CAP 10-32 X .875	31
-	2	2	-	2-21002-2	SCR, BTN SKT HD CAP 8-32 X .500	29
-	1	1	-	3-690451-2	SPACER, STRIPPER	28
-	1	1	-	240639-1	STRIPPER (MACHINING)	27
-	2	2	-	22354-8	STUD, THREADED	25
-	1	1	-	455678-2	PLATE, STRIP GUIDE	24
-	1	1	-	240825-9	PLATE, STRIP HOLD DOWN	23
-	2	2	-	2-22281-3	SPRING, DRAG	22
-	1	1	-	464451-1	ARM, STOCK DRAG	21
-	1	1	-	464452-4	DRAG, STOCK	20
-	1	1	-	4-458030-9	STRIP GUIDE, REAR	19
-	1	1	-	5-458031-0	STRIP GUIDE, FRONT	18
-	4	4	-	3-21002-3	SCR, BTN SKT HD CAP 1/4-20 X .500	17
-	1	1	-	4-240641-3	SPACER	14
-	1	1	-	240644-9	PLATE, REAR SHEAR	11
-	2	2	-	1-240645-7	SPACER, SHEAR PLATE	10
-	1	1	-	240642-1	PLATE, FRONT SHEAR	9
1	1	1	-	1633279-8	ANVIL, COMBINATION	8
-	1	1	-	1-240651-0	BLADE, SLUG	7
-	-	-	..	-	-	6
-	1	1	-	1-240641-2	SPACER	5
-	-	-	..	-	-	4
-	-	-	..	-	-	3
1	1	1	-	5-1633588-0	CRIMPER, WIRE	1

DIMENSIONS: INCHES		TOLERANCES UNLESS OTHERWISE SPECIFIED:		DRAWN: L. GROSS		DATE: 23OCT2008	
0	PLC	+		CHK: D. MORRIS		DATE: 23OCT2008	
1	PLC	±	0.1	APP'D: N. DEMING		DATE: 23OCT2008	
2	PLC	±	0.01	PRODUCT SPEC		NAME: END FEED HDM APPLICATOR	
3	PLC	±	0.001	APPLICATION SPEC		SIZE: A 00779 C=1852770	
4	PLC	±	0.0001	MATERIAL:		RESTRICTED TO:	
FINISH:		WEIGHT:		SCALE: 3:5		SHEET 1 OF 1	
Customer Drawing		Customer Drawing		SCALE: 3:5		REV C	