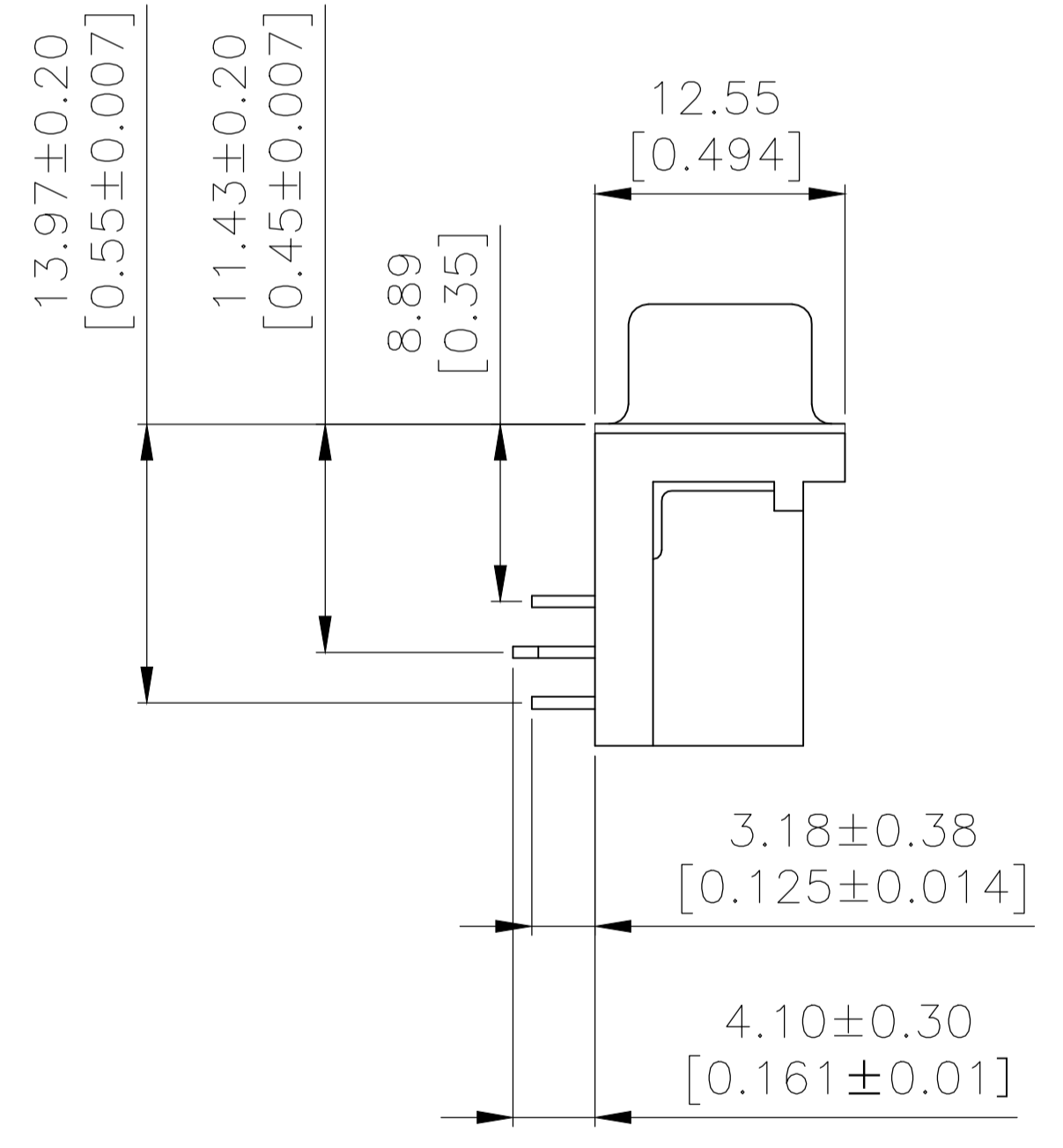
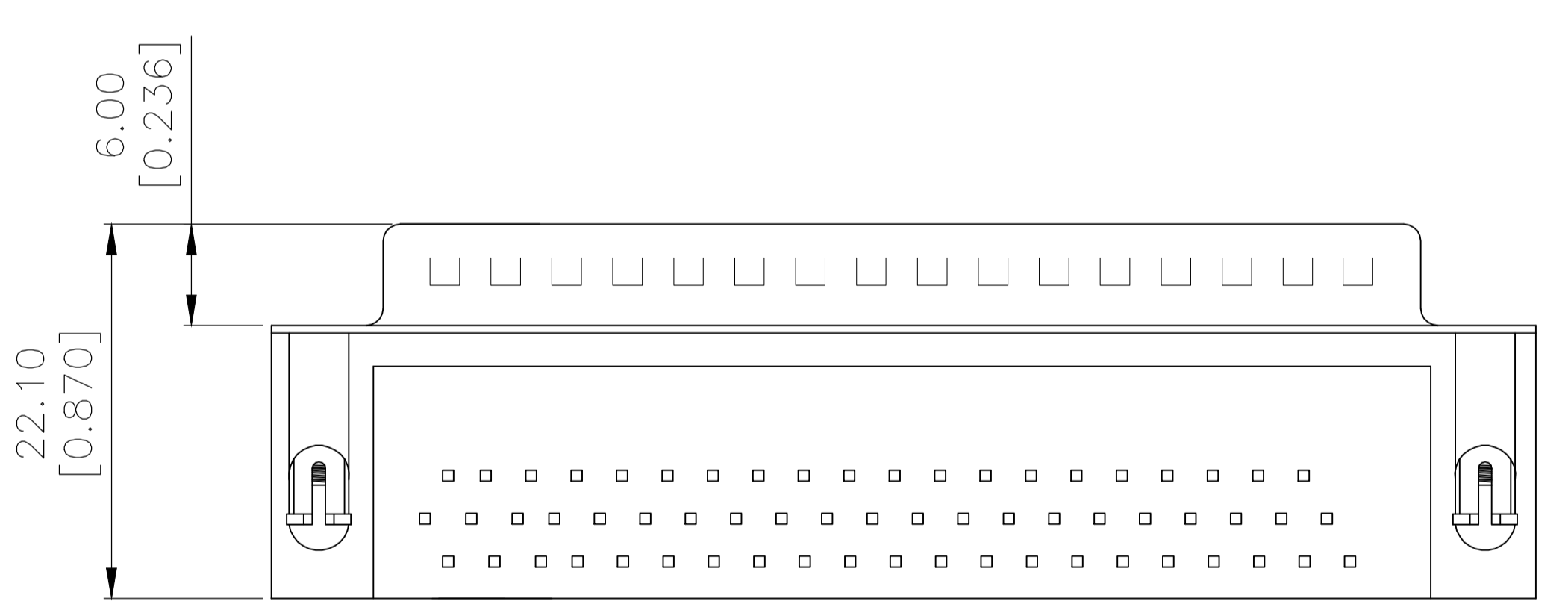
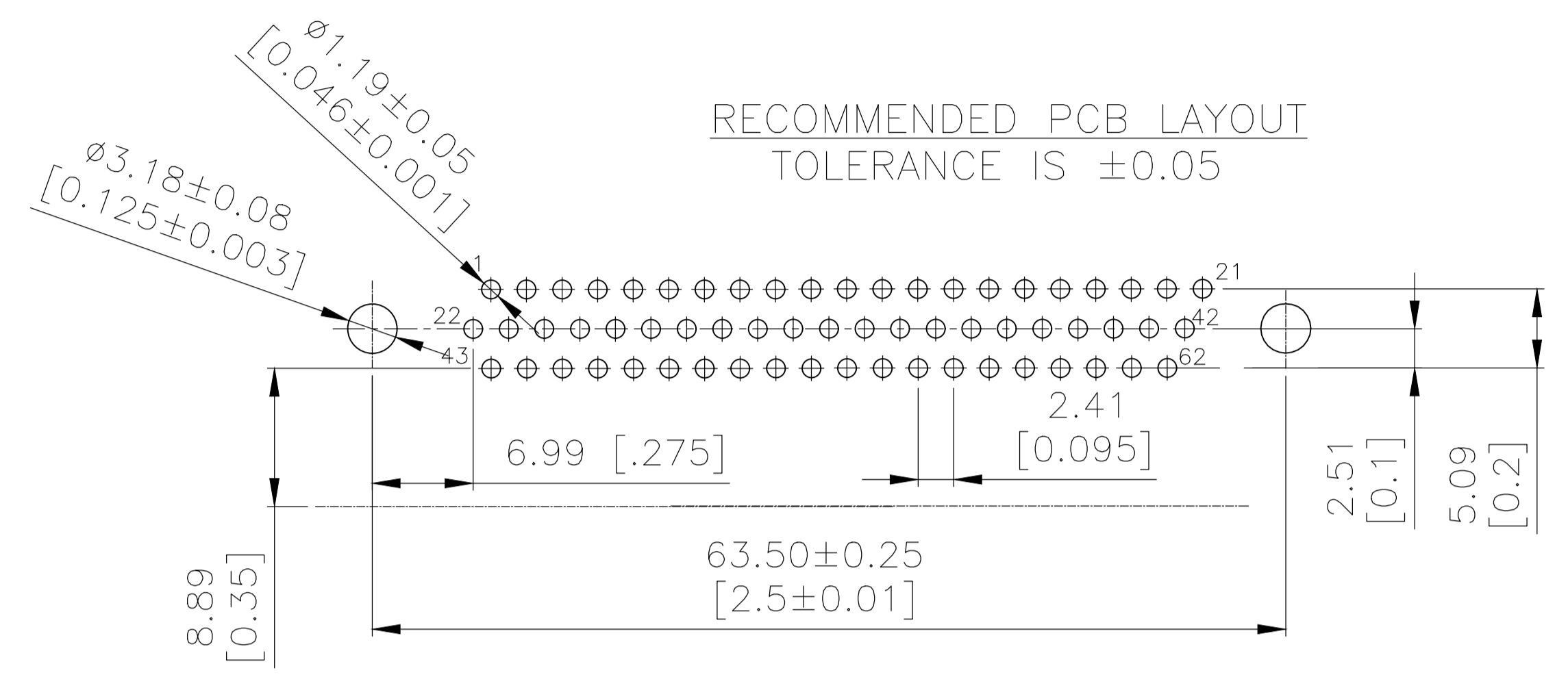
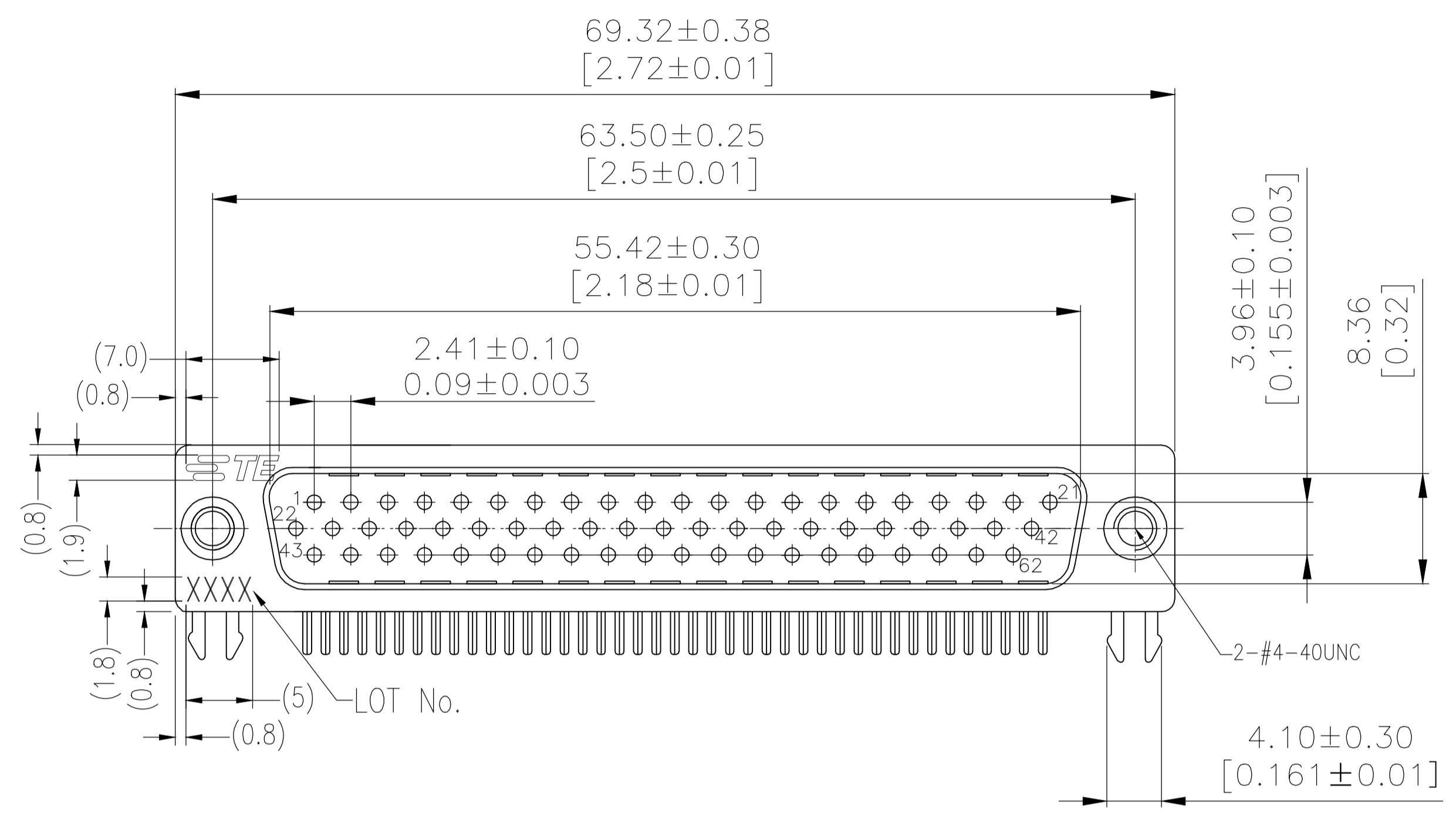


REVISIONS					
P	LTR	DESCRIPTION	DATE	DWN	APVD
E		REVISED PER ECO-19-007626	12SEP2019	AP	DG



NOTES:  
 Housing: PBT+30%GF(UL94V-0) BLACK  
 Contact: Brass  
 " GOLD PLATING ON CONTACT AREA  
 100u" MATTE TIN PLATING ON SOLDER TAIL  
 50u" NICKEL UNDERPLATED OVERALL  
 Holddown: Brass, 100u" TIN OVER 50u" NICKEL  
 Shell: Cold Roller Steel, Ni Plated  
 Revitlock: Brass, Nickel Plating  
 LOT NUMBER "XXXX"  
 - Stands For Calendar Year  
 - Stands For Week Number

THREADED	30μAu	2311773-1
-	Contact Area	P/N
	Plating	

THIS DRAWING IS A CONTROLLED DOCUMENT.		DWN AJITH PAI 10MAR2017	TE Connectivity	
DIMENSIONS: mm		CHK DANIEL GORENC 10MAR2017	NAME AMPLIMITE PLUG, HD22, RIGHT ANGLE, 62P, Threaded	
TOLERANCES UNLESS OTHERWISE SPECIFIED:		APVD DANIEL GORENC 10MAR2017	PRODUCT SPEC 108-130023	
0 PLC ± -		APPLICATION SPEC	RESTRICTED TO	
1 PLC ± 0.25		SIZE A1	CAGE CODE 00779	DRAWING NO 2311773
2 PLC ± -		WEIGHT	SCALE 1:1	
3 PLC ± -		CUSTOMER DRAWING	SHEET 1 of 1	
4 PLC ± -		REV E		
ANGLES ± -				
FINISH				