

4

3


2

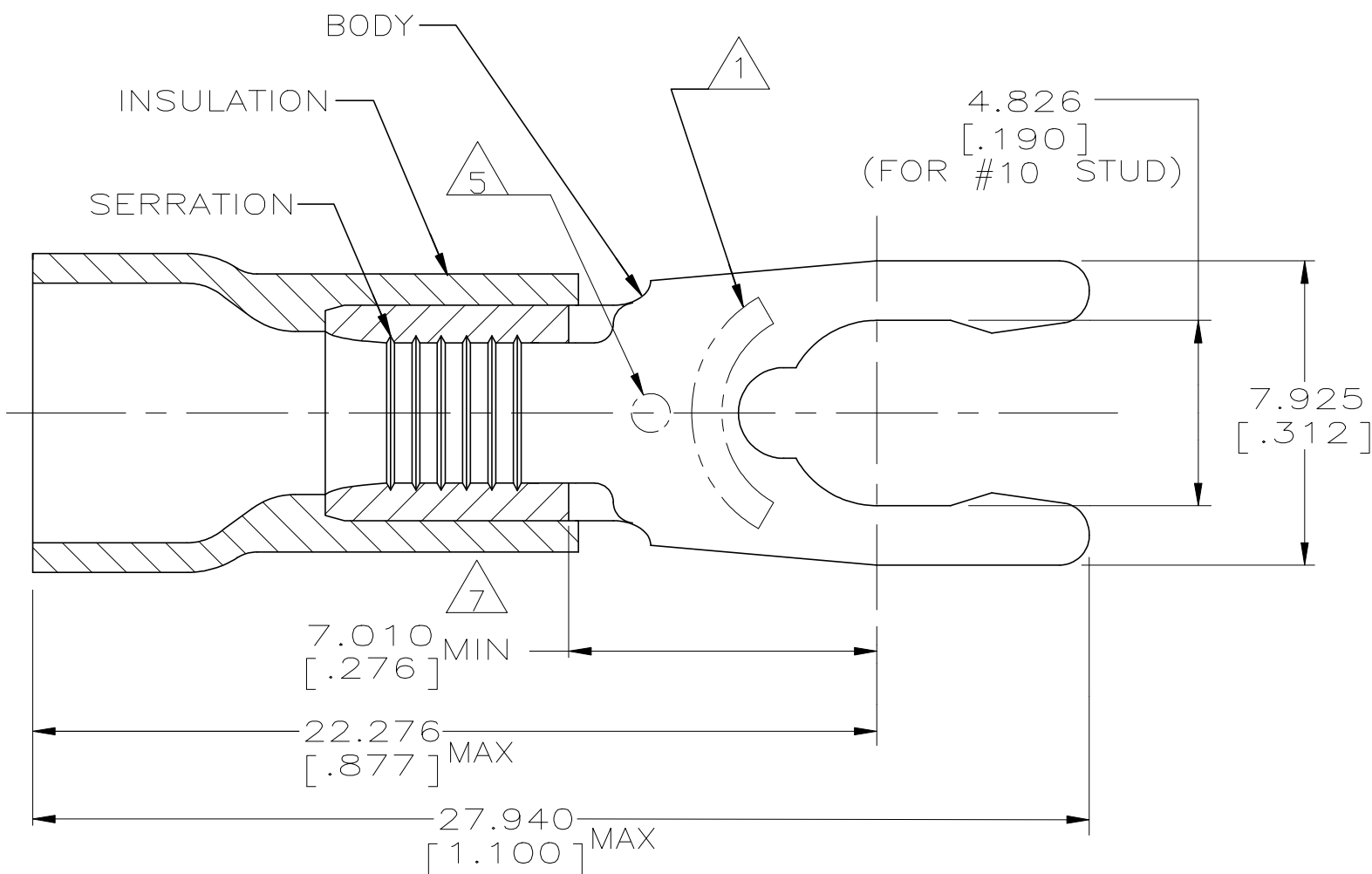
1

© - TE Connectivity. All Rights Reserved.

REVISIONS

P	LTR	DESCRIPTION	DATE	DWN	APVD
	J	REVISED PER ECR-23-163311	09MAR2023	BB	DSC

AMP WIRE RANGE	 Listed FILE E13288
12-10 AWG SOLID OR STRANDED	12 AWG STRANDED



- ① STAMP 10S AMP 12-10* APPROX AS SHOWN
- 2. WIRE INSULATION DIAMETER $\phi 3.810 [.150]$ TO $\phi 6.350 [.250]$
- 3. BODY MATERIAL THK: $1.016 \pm 0.051 [.040 \pm .002]$
- ④ MATERIAL: BODY - BRASS PER ASTM B36
INSUALTION - PVC
- ⑤ DIMPLE STAMP MARK OPTIONAL
- ⑥ FINSH:
BODY - TIN PLATE $0.00254 [.000100]$
MIN EXT THK PER ASTM B545
INSULATION COLOR - YELLOW
- ⑦ APPLIES FROM EDGE OF METAL WIRE BARREL TO CENTER OF STUD HOLE

2500	ON TAPE, REEL	53248-2
500	LOOSE PIECE	53248-1
QTY	PACKAGE TYPE	PART NO

AMP INCORPORATED
CUSTOMER SERVICE SYSTEMS

MAX RECOMMENDED OPERATING TEMPERATURE:
105°C [221°F]

THIS DRAWING IS A CONTROLLED DOCUMENT.

DWN L OLMEDA 26JUN95

CHK M ELLIS 26JUN95

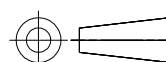
APVD G NGO 26JUN95



VOLTAGE RATING:
600V MAX
(1000V FIXTURE OR SIGN)

DIMENSIONS:
mm [INCHES]

TOLERANCES UNLESS OTHERWISE SPECIFIED:



0 PLC	± -
1 PLC	± -
2 PLC	± -
3 PLC	± 0.127 [.005]
4 PLC	± -
ANGLES	± -

PRODUCT SPEC

UL 486A-B

APPLICATION SPEC

114-2161

WEIGHT -

NAME
TERMINAL, SPRING SPADE,
SHORT, PLASTI-GRIP
WIRE SIZE : 12-10 AWG

SIZE	CAGE CODE	DRAWING NO	RESTRICTED TO
A3	00779	C=53248	-

CIRCULAR MIL AREA:
 $2.62-6.64 \text{mm}^2 [5,180-13,100]$
SOLID OR STRANDED

MATERIAL ④

FINISH ⑥

CUSTOMER DRAWING

SCALE 6:1 SHEET 1 OF 1 REV J

THIS DRAWING IS A CONTROLLED DOCUMENT FOR AMP INCORPORATED. IT IS SUBJECT TO CHANGE AND THE CONTROLLING ENGINEERING ORGANIZATION SHOULD BE CONTACTED FOR THE LATEST REVISION.