



BOARD LEVEL COOLING - Slide On 7138

Slide On 7138 is a slide on board level heat sink designed to cool TO-220 and TO-220-single gauge devices. Representative image only.

ORDERING INFORMATION

Part Number	Device Type
7138DG	TO-220, TO-220-single gauge

HEAT SINK DETAILS

Property	Details
Material	Copper
Finish	Tin-Plated
Device Attachment Options	Integrated Mounting Clip
Thermal Interface Material	-

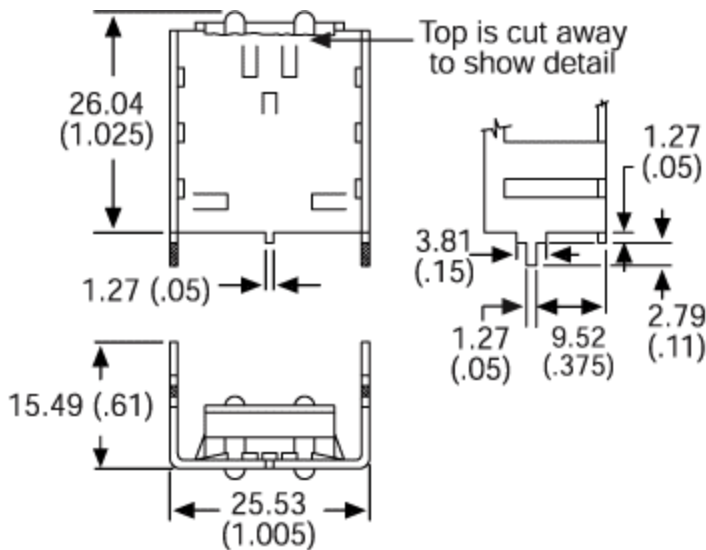
Property	Details
Heat Sink Width (mm)	25.53
Heat Sink Length (mm)	15.49
Heat Sink Height (mm)	26.04
Heat Sink Mounting Direction	Vertical



MECHANICAL & PERFORMANCE

Drawing dimensions are shown in mm, (in)

Part Number	"X" Dim	"Y" Dim	"Z" Dim
7138DG	12.45 (0.490)	9.53 (0.375)	2.54 (0.100)



Mounting Details:

