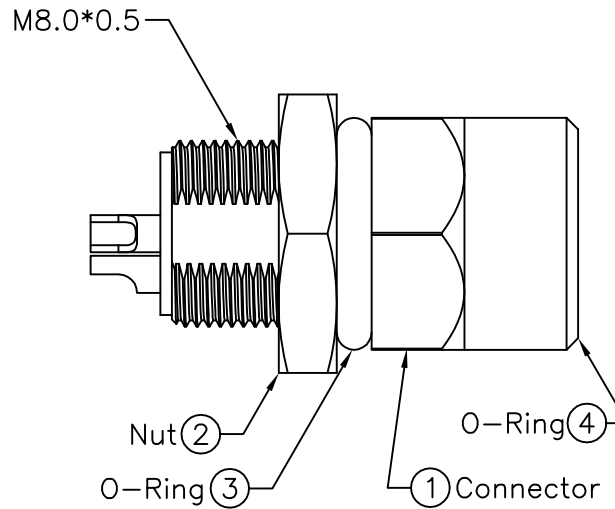
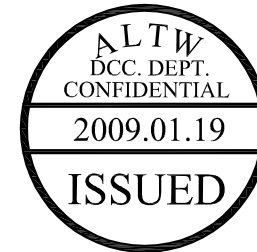
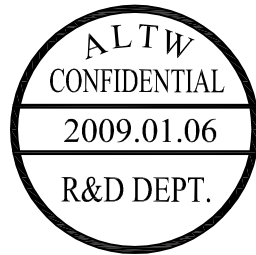
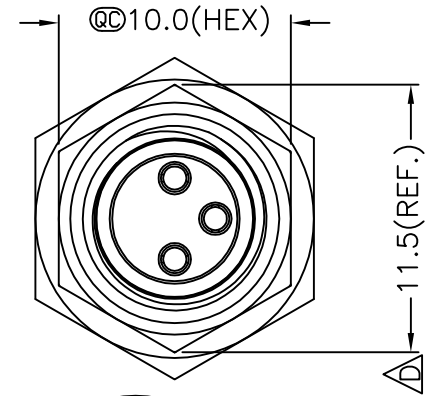
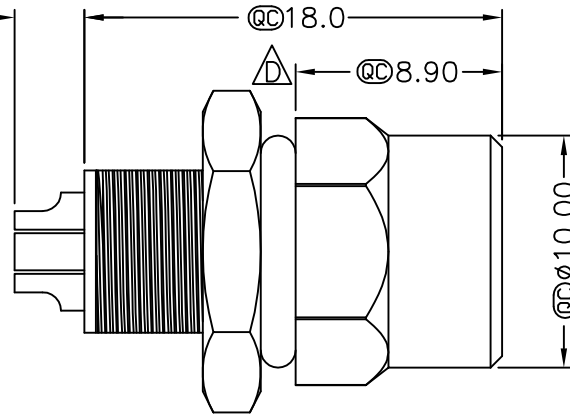
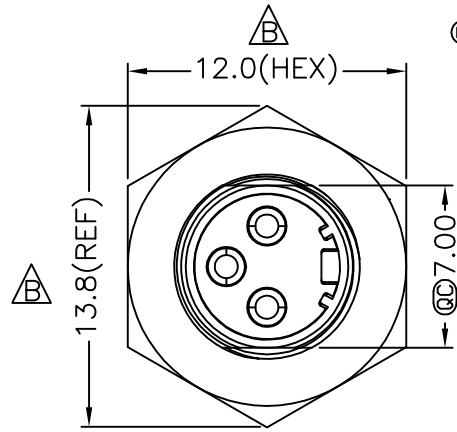
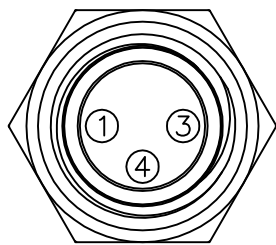


REV	ECN NO.	DATE	SIGN	DESCRIPTION
B	LEN-750244	2007/05/26	Jason	Change Dimension of Nut
C	LEN-7A0176	2007/09/29	Myrdal	Added Note
D	LEN-910177	2009/01/06	Ivan Lin	Change rev.to ECN note

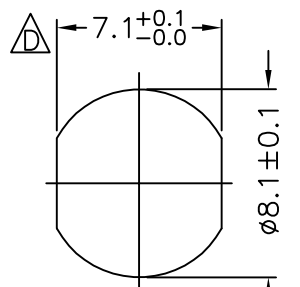


Note:

- * @C Important Dimension.
- * Waterproof Rate: IP67
- * Connector: Black, Nylon+GF
- * Female Pin: Copper Alloy, Gold Plated
- * Shield: Zinc Alloy, Nickel Plated
- * Nut: Copper Alloy, Nickel Plated
- * O-Ring: Black, EPDM
- * O-Ring: Green, VITON
- * For Panel Thickness Max 4.5mm
- * Nut Torque: 4-6 kgf.cm



Pin Assignments
Front View



Recommended
Panel Cut-Out

UNIT:mm	
TOLERANCE	
.X	±0.25
.XX	±0.1
.XXX	±0.05
ANGLES	±1°

TITLE	M8 Conn Panel Screw 3P F Conn F Pin	
SCALE	Free	SHEET 1 OF 1
REV. D	SIZE A4	@C :Inspection Item

Amphenol LTW
安費諾亮泰企業股份有限公司

ITEM NO	8-03PFFS-SH7002
DWG NO	8-03PFFS-SH7002
CUSTOMER	ALTW

DRAWN BY	Ivan Lin
CHECKED BY	Tommy Hom
APPROVED BY	Luke Chang

DATE	2009/01/06
DATE	2009/01/06
DATE	2009/01/06

THIS DOCUMENT IS SUBJECT TO CHANGE WITHOUT NOTICE. IT IS CONFIDENTIAL AND A PROPERTY OF Amphenol LTW. DISCLOSURE TO THIRD PARTY HAS TO BE AUTHORIZED BY Amphenol LTW.