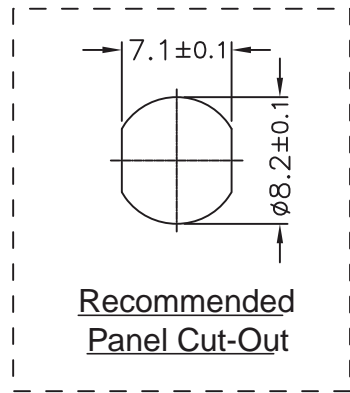


**Material:**

- Waterproof Rate: IP67
- LED Holder: Brass, Nickel plating
- LED:  $\text{Ø}5\text{mm}$ , Yellow
- Lense Color: Water Clear
- Forward Voltage: Yellow Typ. 2.0V
- Forward Current: Yellow Typ. 30mA
- Luminous Intensity: Yellow Typ. 4,500(Mcd)
- Reverse Voltage: 5V DC
- Operating Temperature:  $-40^{\circ}\text{C} \sim +80^{\circ}\text{C}$
- Gasket: EPDM, Black
- Screw Nut: Brass, Nickel plating
- For Panel Thickness 6.5mm Max.



**QC** Quality Control: Important Dimension to check

Unit: mm



Scale	Free						Date	Name	Title Waterproof LED Yellow color, metal, $\text{Ø}5.0\text{mm}$
TOLERANCE						Drawn	04.03.14	Wilson	
X.	$\pm 0.3$					Approved	04.03.14	Groll	ASSMANN WSW-No. A-LED8-1YBAS-MR7-1
X.X	$\pm X$								Drawing-No.
X.XX	$\pm X$								ASS 6236 CO
DIM	TOL								rev00
X.°	$\pm X^{\circ}$								Sheet
X.X°	$\pm X^{\circ}$								1/1
Angle	TOL	Id.	Modification	Date	Name			1840 W. Drake Drive, Suite 101 • Tempe, AZ 85283 Toll Free: 1-877-277-6266 • Email: info@assmann.us	