

# MATERIALS & SPECIFICATIONS

|          |            |     |       |          |     |
|----------|------------|-----|-------|----------|-----|
| PART NO. | A28100-085 | REV | ECO   | DATE     | APP |
|          |            | A   | 97177 | 11-23-10 | TLM |

**HOUSING:**  
ALUMINUM 6061-T6,  
NICKEL PLATE PER AMS-  
C-26074

**INSULATOR:**  
LIQUID CRYSTAL  
POLYMER (LCP) PER  
ASTM D5138

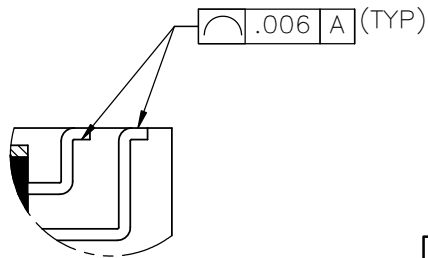
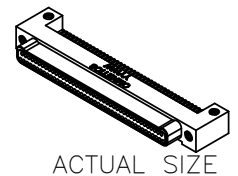
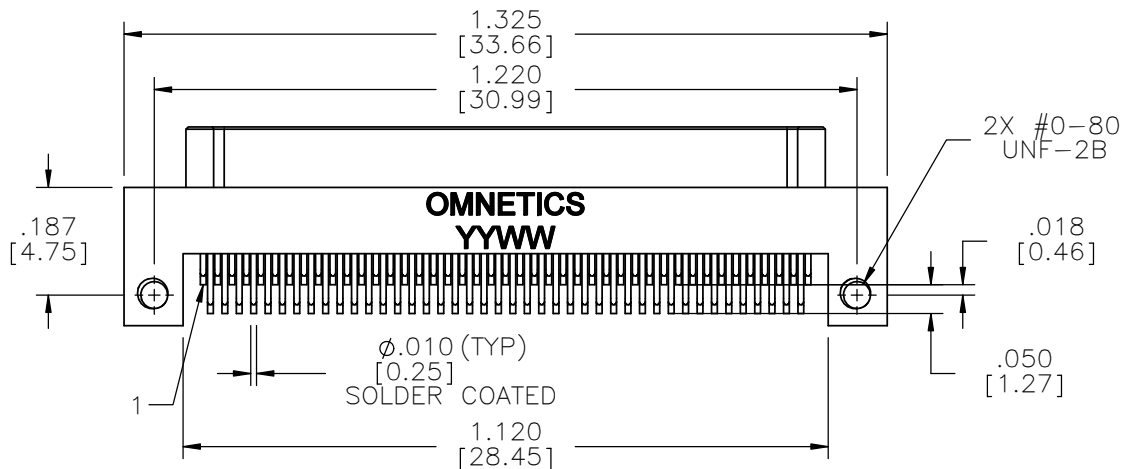
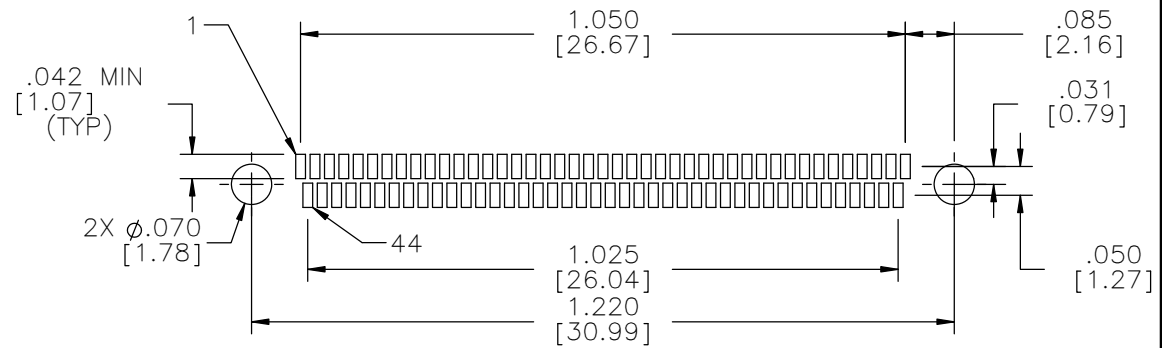
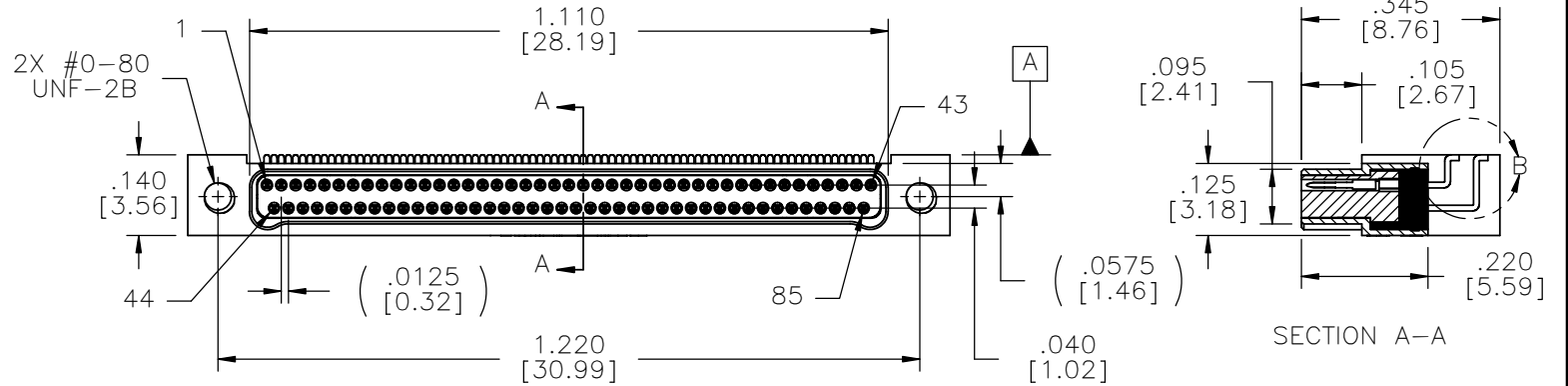
**CONTACT:**  
BERYLLIUM COPPER PER  
ASTM B194, C17200,  
GOLD PLATED PER ASTM  
B488, (HARD GOLD)  
TYPE II CODE C, CLASS  
1.27

**TERMINATION:**  
SOLDER COATED WITH  
SN63A PER  
J-STD-006 OR AMS-P-  
81728

**CURRENT RATING:**  
1 AMP MAX PER MIL-  
DTL-32139

**CONTACT RESISTANCE:**  
71 MILLIOHM MAX (71mV  
DROP MAX) @ 1.0 AMPS  
PER MIL-DTL-32139

**PERFORMANCE:**  
PRODUCT FAMILY TESTED  
TO AND PASSED THE  
PERFORMANCE  
SPECIFICATIONS OF  
TABLE VIII OF MIL-DTL-  
32139



DETAIL B  
SCALE 6 : 1

|              |                        |  |
|--------------|------------------------|--|
| M/PO<br>SLDW | THIRD ANGLE            | THIS DRAWING CONTAINS CONFIDENTIAL AND PROPRIETARY INFORMATION WHICH IS THE PROPERTY OF OMNETICS CONNECTOR CORP. THIS DOCUMENT MAY NOT, IN WHOLE OR IN PART, BE DUPLICATED, OR DISCLOSED FOR ANY PURPOSE, WITHOUT WRITTEN PERMISSION FROM OMNETICS CONNECTOR CORP. |
|              | -TOLERANCES-           |  |
|              | UNLESS OTHERWISE NOTED |  |
|              | DIMENSIONS IN INCHES   |  |
|              | 2 PL DEC ± .01         | DFTM. JMJ  |
|              | 3 PL DEC ± .005        | DATE 11-12-10  |
|              | 4 PL DEC ± .0005       | CHK'D.   |
|              | ANGLES ± 1°            | DATE   |
|              |                        | APP'D.   |

|                    |  |
|--------------------|--|
| TITLE:             |  |
| (85) PIN MALE      |  |
| Bi-Lobe® CONNECTOR |  |

**OMNETICS**  
CONNECTOR CORPORATION  
7260 COMMERCE CIRCLE EAST  
MINNEAPOLIS, MN 55432  
WWW.OMNETICS.COM

|                    |       |
|--------------------|-------|
| CAGE CODE 61873    |       |
| DWG NO. A28100-085 |       |
| SHEET 1 OF 1       | REV A |
| SCALE: 3:1         |       |