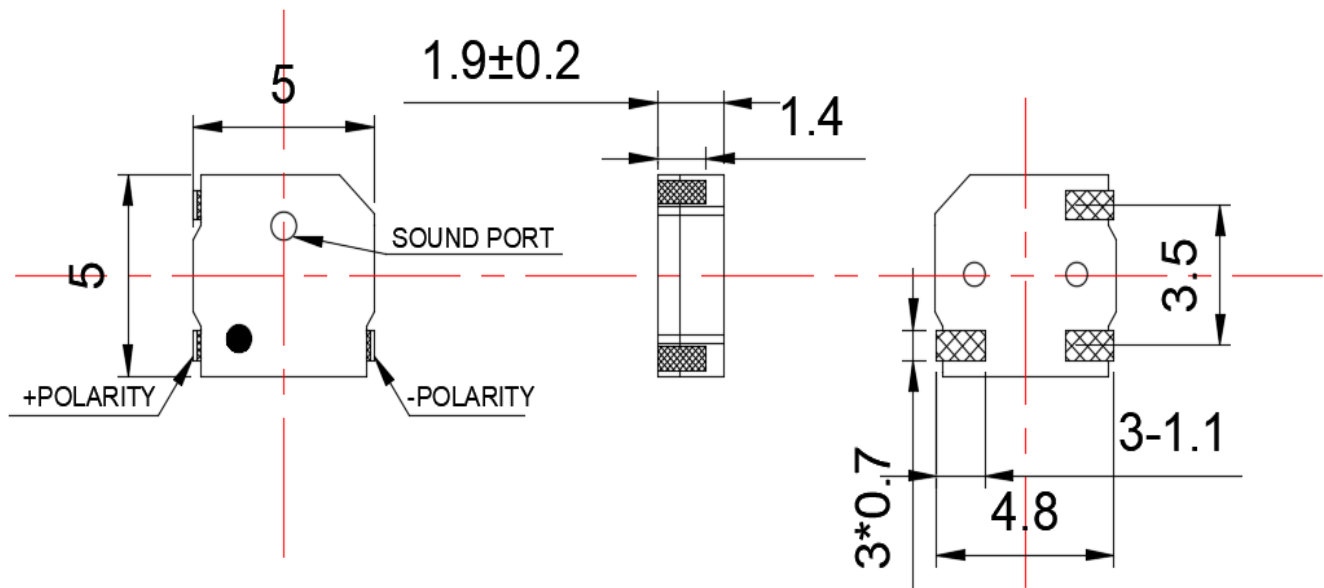


**May not be suitable for all Medical and Aerospace applications.  
Contact Mallory Sonalert to discuss your application.**

**NO CIRCUITRY**

Oscillation Frequency (Hz)	4000
Operating Voltage (Vpp)	2 ~ 4
Rated Voltage (Vpp)	3.0
Current Consumption Max. (mA)	110 at Rated Voltage
Sound Pressure Level Min. (dB)	75 at 10cm at Rated Voltage
Coil Resistance ( $\Omega$ )	$12 \pm 3$
Operating Temperature ( $^{\circ}\text{C}$ )	-20 ~ +70
Storage Temperature ( $^{\circ}\text{C}$ )	-30 ~ +80
Housing	LCP Plastic Resin (Color: Black)
Type of Connection	SMT
Condition by wave soldering ( $^{\circ}\text{C}$ )	$250 \pm 5$ / within 5 sec
Condition by hand soldering ( $^{\circ}\text{C}$ )	$350 \pm 20$ / within 5 sec
Weight (Grams)	0.13
Options	For other options contact factory

**Dimensions:** (units: mm)**ROHS Compliant****Packaging:** Parts are supplied on cut tape.

Units do not come with wash label and are not appropriate for aqueous wash.