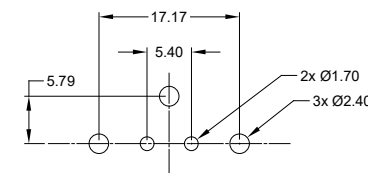


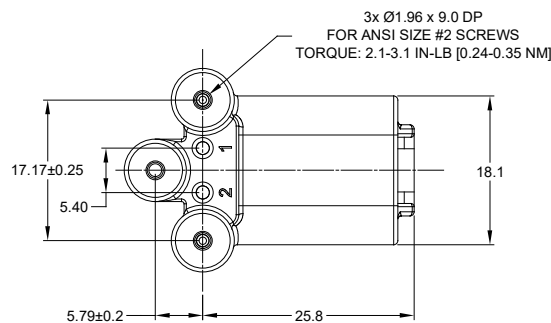
ATF13-2P-BM3X VARIANTS	
CONTACT PLATING	PART NUMBER
GOLD	ATF13-2P-BM31
TIN	ATF13-2P-BM33



RECOMMENDED PCB LAYOUT

NOTES: UNLESS OTHERWISE SPECIFIED

- MATERIAL:**
HOUSING: THERMOPLASTIC; COLOR: BLACK
CONTACT: COPPER ALLOY
PLATING: NICKEL UNDERPLATE
SEE CHART FOR OVERALL FINISH
- MODIFICATIONS:** RIGHT ANGLE PCB MOUNT, SCREW BOSS
- SPECIFICATIONS:**
 - CURRENT RATING: 13 AMPS
 - OPERATING TEMPERATURE: -55°C TO +125°C
 - DIELECTRIC WITHSTANDING VOLTAGE: LESS THAN 2 MILLIAMPS CURRENT LEAKAGE @ 1500 VOLTS AC.
 - INSULATION RESISTANCE: 1000 MEGOHMS MIN @ 25°C.
 - MOISTURE RESISTANCE: IP67 (MATED CONDITION)
 - MATING CYCLE DURABILITY: 100 CYCLES
 - RoHS COMPLIANT
- MATING PART:** AT06-2S* PLUG
(* = MODIFICATIONS AND COLORS)
- ALL DIMENSIONS ARE FOR REFERENCE USE ONLY.**



REVISIONS					
REV	ECO	DESCRIPTION	DATE	BY	APPR
A1	-	RELEASE	25/MAR/19	BROOK	TOMMY
A2	-	MODIFIED DESCRIPTION	12JUL19	BROOK	TOMMY

TITLE: RIGHT ANGLE RECEPT. AT 2 PIN, SCREW BOSS, BOARDLOCK, EXT. HGT
DWG NO: ATF13-2P-BM3X
REV: A2
SH: 1
OF: 1

SEE PART NUMBER CHART		PART NUMBER		DESCRIPTION		ITEM
QUANTITY		MATERIALS LIST				
UNLESS OTHERWISE SPECIFIED: 1) All dimensions are in metric (mm). 2) Tolerances are as follows: 1 PL DEC ±0.30 2 PL DEC ±0.15 3 PL DEC ±0.08 3) Note reference =		SIGNATURES		DATE		<p style="text-align: center;">Amphenol</p> <p style="text-align: center;">Sine Systems - www.amphenol-sine.com 44724 Morley Drive Clinton Township, MI 48036</p> <p style="text-align: center;">RIGHT ANGLE RECEPTACLE, AT 2 PIN, SCREW BOSS, BOARDLOCK, EXT. HGT</p>
DRAWN: BROOKING		ORION LI		12/JUL/19		
CHECKED:		TOMMY XIE		12/JUL/19		
APPROVAL:		CUSTOMER:				
MATERIAL SPECIFICATIONS:		THIS DRAWING IS SUPPLIED FOR INFORMATION ONLY. DESIGN FEATURES, SPECIFICATIONS AND PERFORMANCE DATA SHOWN HEREON ARE THE PROPERTY OF THE AMPHENOL CORPORATION. NO RIGHTS OF REPRODUCTION ARE IMPLIED. ALL DIMENSIONS ARE SUBJECT TO NORMAL MANUFACTURING VARIATIONS.		SIZE: TYPE: DWG NO:		REVISION
PROCESS SPECIFICATIONS:		SCALE: NONE		B C - ATF13-2P-BM3X		A2
NEXT ASSY:		SHEET 1		OF 1		