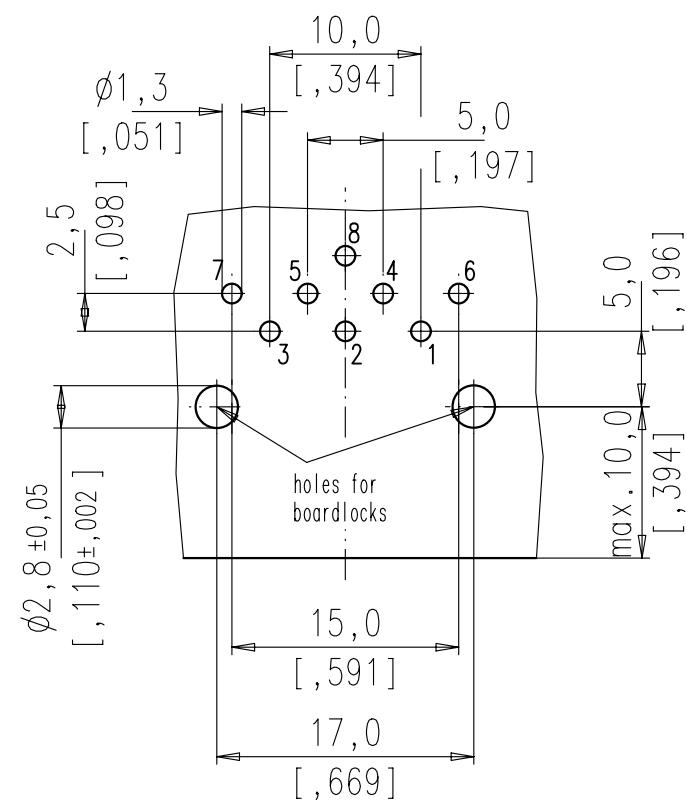
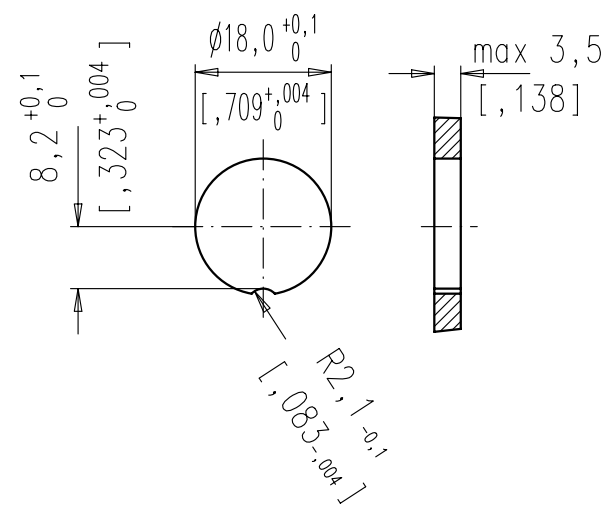


Copying of this document and giving it to others and the use or communication of the contents thereof, are forbidden without express authority. Offenders are liable to the payment of damages. All rights are reserved in the event of the grant of a patent or the registration of the utility model or design.

Lochbild für Leiterplatte
auf Bestückungsseite gesehen
hole pattern on PCB
seeing on assembly side



Montageausschnitt
Panel Cutout



Dichtfläche eben und gratfrei.
Sealing area must be flat
and polished.

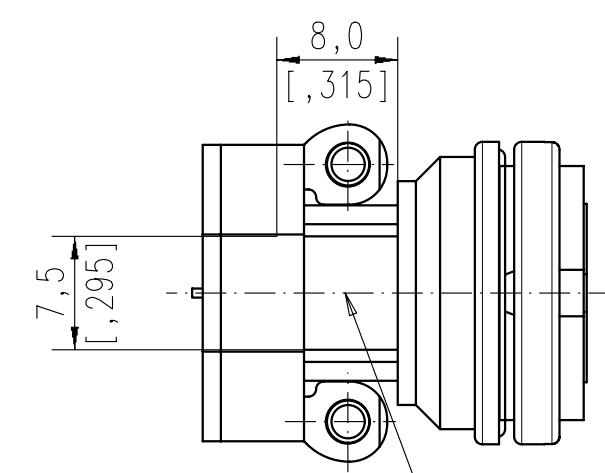
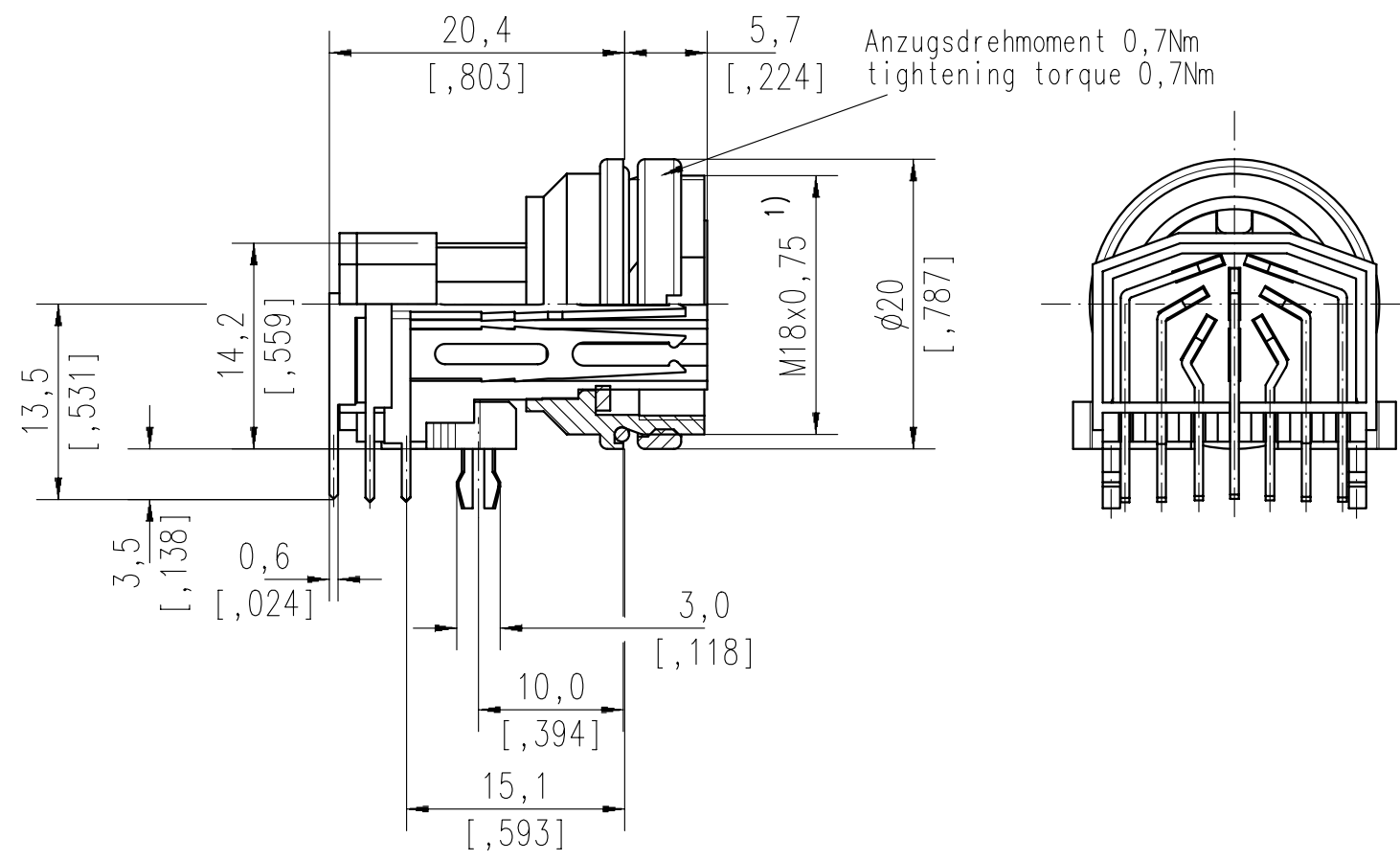
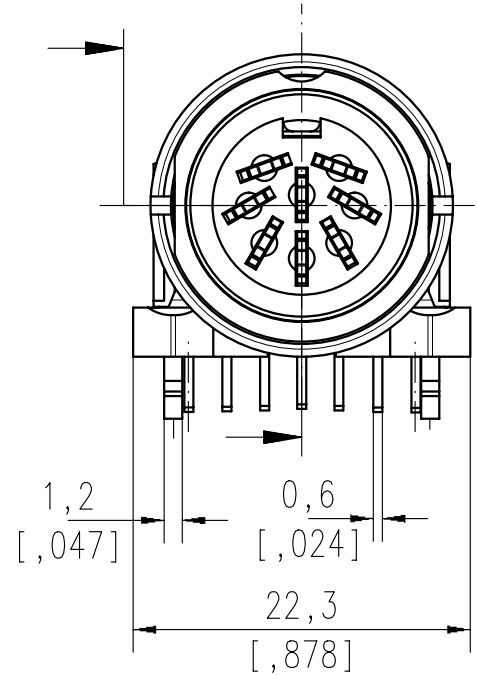
Design with boardlocks
We recommend to use a PCB with thickness 1,6mm.
suitable for Reflow soldering (260°C 10s)
Flammability UL 94 HB
IP67 in mated condition
further technical characteristics according
catalog types C091D

All technical data have been measured in a
laboratory environment and can be different
during practical usage of the product. Any
product information is for descriptive usage
only and not legally binding; particularly
the information does not constitute or provide
any legal guaranties ("Beschaffensgarantie"
or "Haltbarkeitsgarantie").

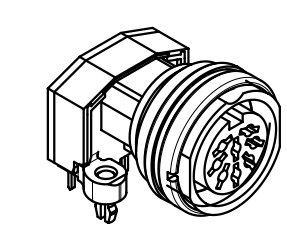
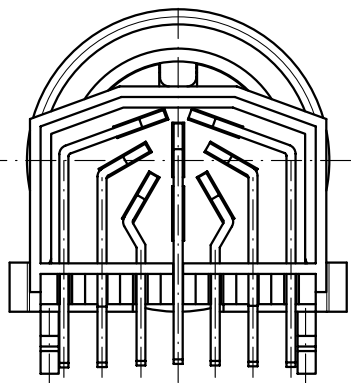
Do not connect or disconnect under load.
Metal housing parts shall be securely
incorporated to protected ground.

Remark for gold plated contacts:
In order to avoid brittle inter-metallic
connections, gold-plated terminals have to
be tin-plated in the solder area.

1) thread tested with go/nogo gauge
min. outside diameter of the thread 17,7mm
(deviating from the standard DIN 13)



Aufnahmestelle für
Bestückungsmaschine /
pick and place area



C091 51G008 250 2 U	gold plated contacts
C091 51G008 150 2 U	silver plated contacts
part number	description

Masse [errechnet]/Calc WT: 9	Zul. Abw./Tolerances:	Maßstab/Scale 2:1, 1:1	A3	
Prüfmaß/Testdimension	DIN/ISO 13715	CUSTOMER DRAWING		
Teileindex Partindexnumber	13 Datum/Date 26.08. Name Schädel	Gerätedose abgewinkelt female receptacle right angeled		
Gez. Drawn	Gepr. Checked	M C091 51G008 X50 2 U		
01 201300607 26.08.13 RS	Amphenol-Tuchel Electronics GmbH	Blatt/Sheet 1		
Index Änderung/Description Datum/Date Name	Ers. f./Replacement for:	1 Bl.		