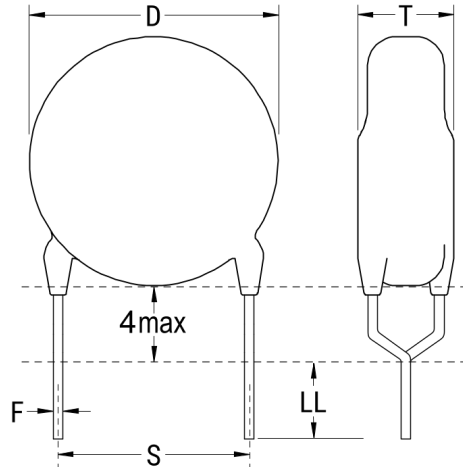


C905U220JYSDBAWL45

Not for New Design

C900AC SFTY X1-400 Y2-250, Ceramic, 22 pF, 5%, 400 VAC (X1), 250 VAC (Y2), SL, Lead Spacing = 5mm



Click [here](#) for the 3D model.

Dimensions

D	7mm MAX
T	5mm MAX
S	5mm +/-0.8mm
LL	4.5mm +/-1mm
F	0.55mm +/-0.1mm

Packaging Specifications

Packaging	Bulk, Bag
Packaging Quantity	500

General Information

Series	C900AC SFTY X1-400 Y2-250
Style	Radial Disc
RoHS	Yes
Termination	Tin
Failure Rate	N/A
Qualifications	UL, ENEC, VDE, CSA, CAN
AEC-Q200	No
Halogen Free	Yes
Component Weight	500 mg

Specifications

Capacitance	22 pF
Capacitance Tolerance	5%
Voltage AC	400 VAC (X1), 250 VAC (Y2)
Dielectric Withstanding Voltage	2600 VDC
Temperature Range	-40/+125°C
Temperature Coefficient	SL
Insulation Resistance	10 GOhms
Quality Factor	840
Safety Class	X1/Y2