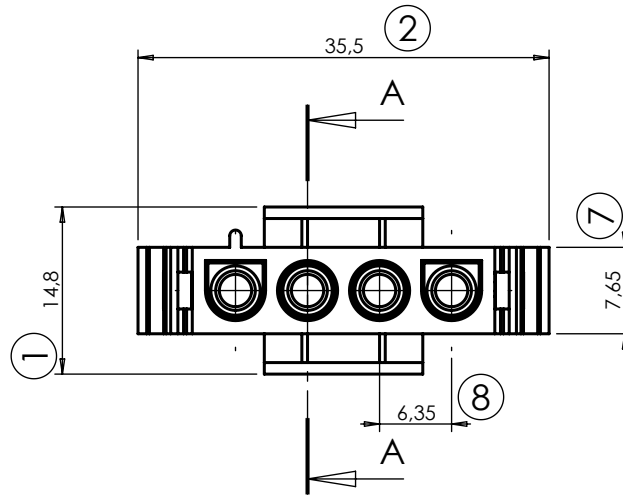
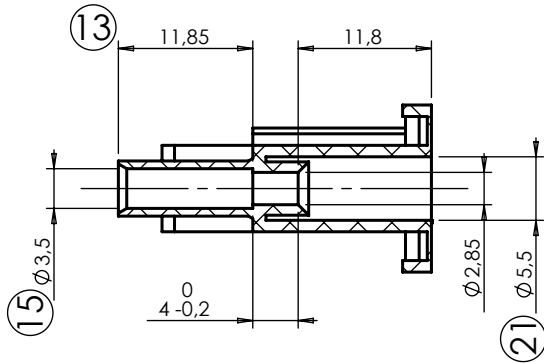
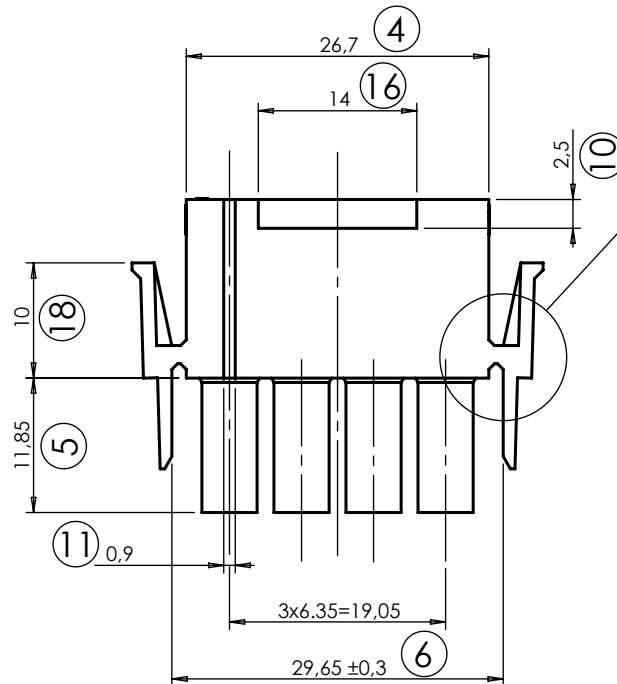
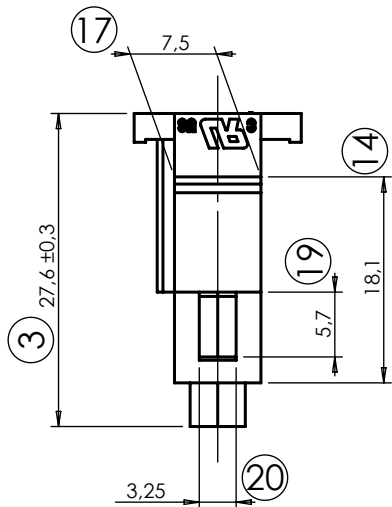
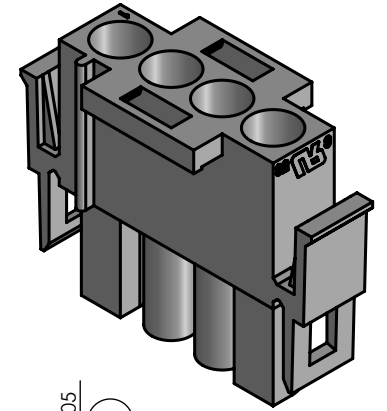
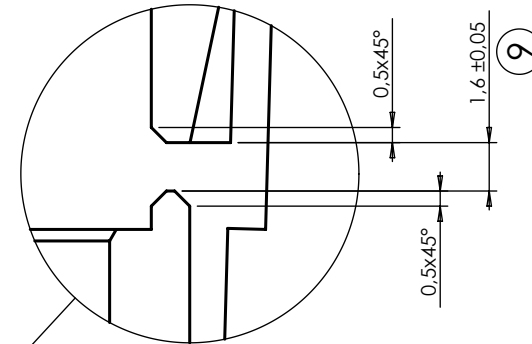


SEZIONE A-A
SCALA 1.5 : 1



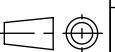
DETTAGLIO B
SCALA 4 : 1



8	Updated quote and tolerance limits	28-07-2016
7	Modified diameters from Ø3.75 to Ø3.50 (See section A-A)	05-10-2015
6	Improved thickness latching hook to 1.60 mm (See detail "B")	05-10-2015
5	Updated dimension between latching hooks from 29.20 mm to 29.65 mm	16-12-2014
4	Added chamfer 0.5x45° (Detail "B")	21-10-2014
3	Added UL & CSA symbols	09-11-2011
2	Updated raw materials table and title box	23-02-2011
1	Updated tolerance limits	02-12-1999
INDEX	MODIFICATION	DATE



CS S.r.l.
20063 CERNUSCO S/N - VIA COMO, 11
TEL +39.02.9210.7404 - FAX +39.02.9210.0217
http://www.csconnectors.com - e-mail: info@csconnectors.com



CHECKED BY Stefano Galimberti	DATE	DESIGN UNITS METRIC
DRAWN BY Luca Viscardi	DATE	WEIGHT 3.23
CAD REFER Y:\dis\cs\lk\04vie\m\modifica_10-11-2014\	SIZE A4	SCALE 1.5:1
INDEX 0 15-11-1997		

			CS-LK04M	PA66 UL94 V-2
			CS-LK04MV0	PA6/66 UL94 V-0
			CS-LK04MSTY	PA46 UL94 V-2
			CS-LK04MV0750NF	PA66 UL94 V-0 GWIT 775
			CS-LK04M-G	PA6 UL94 V-2 GWIT 775
			PART NUMBER	MATERIAL

DIMENSIONS WITHOUT TOLERANCES			
A ±2°	0 - 6	±0.1	
	6 - 30	±0.2	
	> 30	±0.3	

BASE CODE CS-LK04M	DESCRIPTION 4 poles plug housing for LK series terminals Ø2.12 mm
-----------------------	--