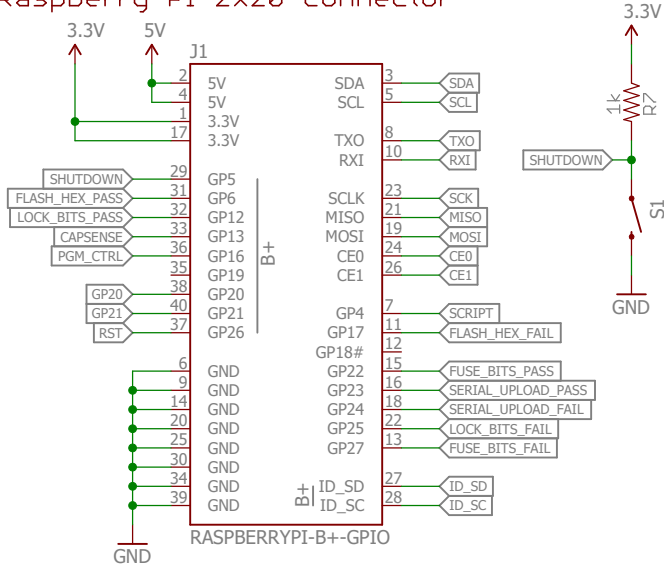
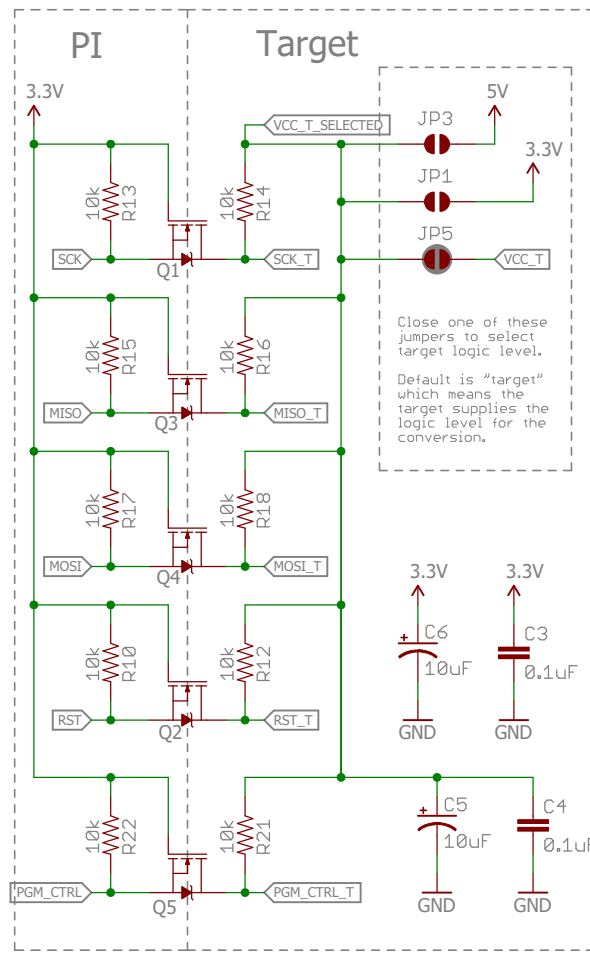


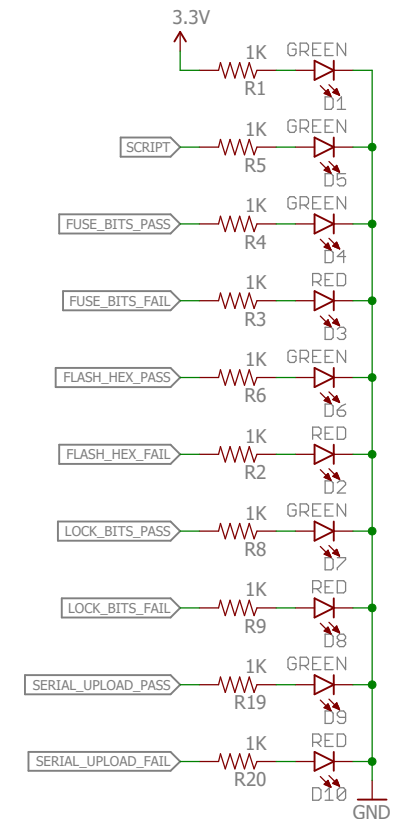
Raspberry Pi 2x20 connector



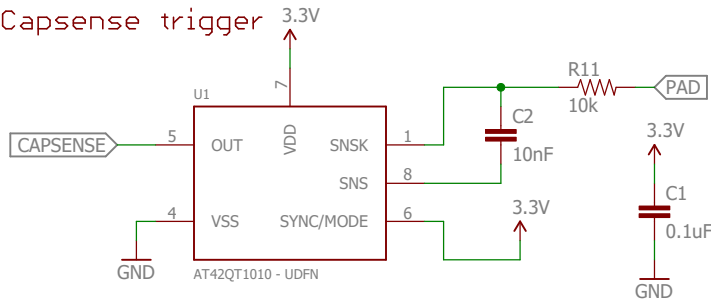
Logic Level Conversion RASPI (3.3V) --> TARGET



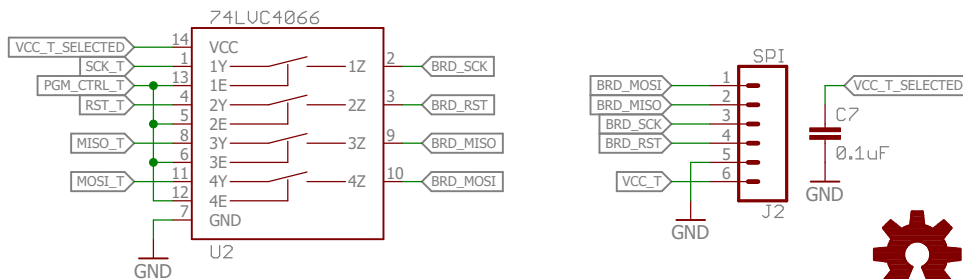
Status LEDs



Capsense trigger



Isolate Switch for SPI lines



Released under the Creative Commons Attribution Share-Alike 4.0 License
<https://creativecommons.org/licenses/by-sa/4.0/>

TITLE: SparkFun_Pi_AVR_Programmer_HAT

Design by: Pete Lewis

REV:
22

Date: 7/24/2018 3:07 PM

Sheet: 1/1

