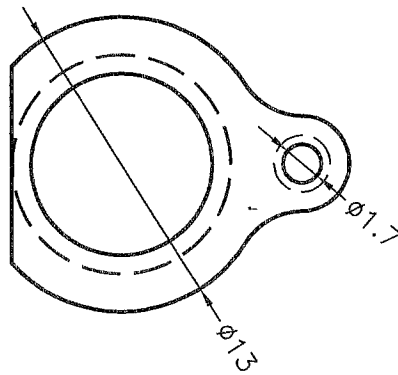
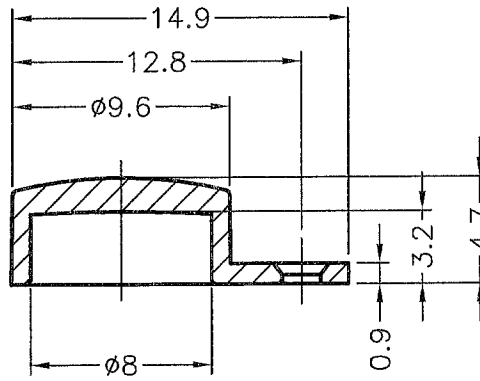




DTM	TOL
5mm DOWN	±0.2
5~20mm	±0.3
20~40mm	±0.4
40~60mm	±0.5
60~100mm	±0.8
100mm UP	±1.0

REVISIONS			
REV	DESCRIPTION	DATE	BY



 <p>康揚企業股份有限公司 KANG YANG HARDWARE ENTERPRISE CO., LTD. 康揚塑膠(東莞)有限公司 KANG YANG PLASTIC(DONG GUAN) CO., LTD. ISO 9001 ISO 14001 QC 080000 康哲電腦配件(吳江)有限公司 KANG CHE COMPUTER COMPONENTS(WUJIANG) CO., LTD.</p>				TITLE INFRARED RAYS LAMPSHADE		SPEC. DWG.	
				MATERIAL PC UL94V-2		DATE 2007.07.20	
				FINISH		DRAWN BUNNY	
PART NUMBER IRCV-2(PUE)		DRAWING NUMBER IRCV-2		COLOR PURPLE		CHECK 	
SIZE A4	SCALE 3:1	UNIT mm	REV A	UNLESS OTHERWISE SPECIFIED TOLERANCE SEE ABOVE		APPROVED 