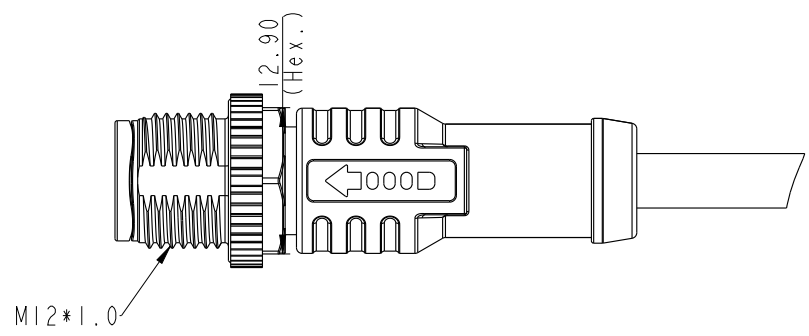
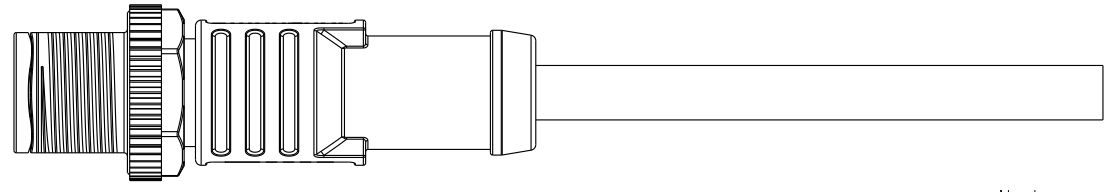
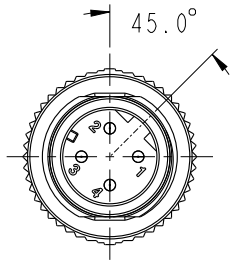
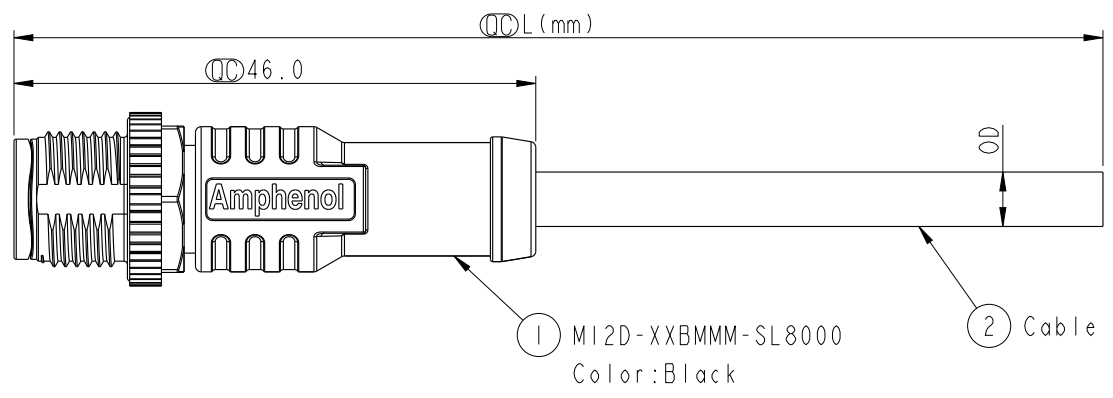
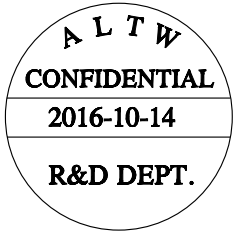


THIS DOCUMENT IS SUBJECT TO CHANGE WITHOUT NOTICE. IT IS CONFIDENTIAL AND A PROPERTY OF AMPHENOL LTW. DISCLOSURE TO THIRD PARTY HAS TO BE AUTHORIZED BY AMPHENOL LTW.

REV.	ECN NO.	DATE	SIGN	DESCRIPTION
A	Initial Release	2015/07/25	Feng_Li	Change Rev.01 To Rev.A
B	LEN16A0088-090	2016/10/14	Yulong_wang	Add 3, 5Pin, IP69K & Cat5e Cable.



- Notes:
- * \varnothing Important Dimension.
 - * Waterproof Rate: IP68, IP69K.
 - * Connector: PU+GF, Black.
 - * Male Pin: Copper Alloy, Gold Plated.
 - * Screw Nut: Zinc Alloy, Nickel Plated.
 - * Outer Mold: PU, Black.
 - * Cable: (A) UL2517, PVC Jacket, Yellow.
(B) UL20549, PUR Jacket, Black.
(D) UL2517, PVC Jacket, Black.
(E) CAT5E, PU Jacket, Black.
 - * Rated Voltage: 3 & 4Pin 250V dc. or ac.
5Pin 60V dc. or ac.
 - * Rated Current: 4A
 - * Operating Temperature: -25~+85°C
 - * Cable Length Tolerance: 01M:±40mm
02M~05M:±60mm
06M~10M:±100mm
11M~30M:±200mm
31M~99M:±500mm

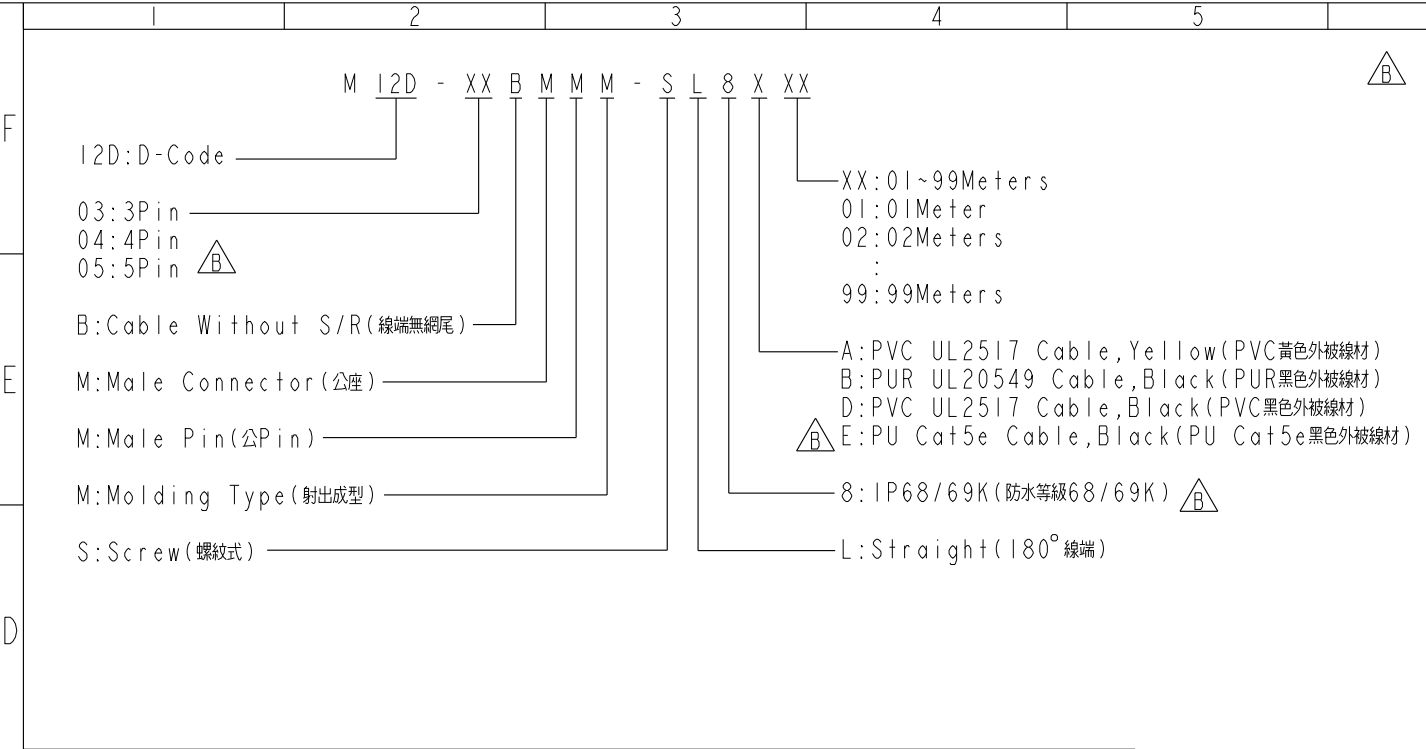
UNIT:mm		
TOLERANCE		
±0.5mm		

TITLE MI2 D Type Cable Male Conn.			
SCALE 3:2	SIZE A4	SHEET 1 OF 2	
REV. B	WC-REV. A.2	QC: Inspection item	

Amphenol LTW
安費諾亮泰企業股份有限公司

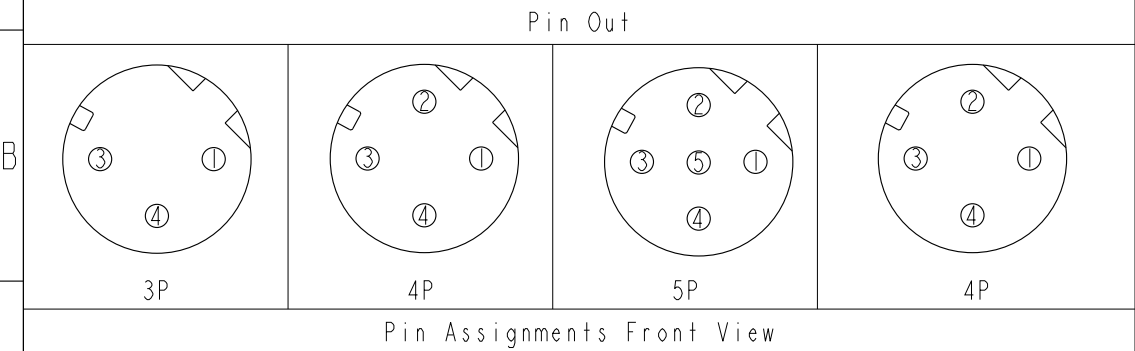
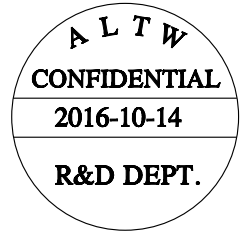
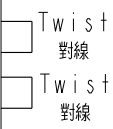
ITEM NO	DRAWN BY Yulong_wang	DATE 2016-10-14
DWG NO MI2D-XXBMMM-SL8XXX	CHECKED BY Jinhai	DATE 2016-10-14
CUSTOMER ALTW	APPROVED BY Jerry	DATE 2016-10-14

THIS DOCUMENT IS SUBJECT TO CHANGE WITHOUT NOTICE. IT IS CONFIDENTIAL AND A PROPERTY OF Amphenol LTW. DISCLOSURE TO THIRD PARTY HAS TO BE AUTHORIZED BY Amphenol LTW.



4P	PU	6.2	22	MI2D-04BMMM-SL8EXX
5P	PVC	5.1		MI2D-05BMMM-SL8DXX
4P		4.8		MI2D-04BMMM-SL8DXX
3P		4.5		MI2D-03BMMM-SL8DXX
5P	PUR	4.4		MI2D-05BMMM-SL8BXX
4P		4.0		MI2D-04BMMM-SL8BXX
3P	PVC	3.8		MI2D-03BMMM-SL8BXX
5P		5.1		MI2D-05BMMM-SL8AXX
4P		4.8		MI2D-04BMMM-SL8AXX
3P	4.5	MI2D-03BMMM-SL8AXX		
Contacts	Cable Jacket	Cable OD	AWG	Item No.

5	--	5	--	5	Gray	灰		
4	Black	4	Black	4	Black	黑	4	Green
3	Blue	3	Blue	3	Blue	藍	2	White/Green
2	--	2	White	2	White	白	3	Orange
1	Brown	1	Brown	1	Brown	棕	1	White/Orange
Pin #	Wire	Pin #	Wire	Pin #	Wire		Pin #	Wire (Cat5e)



UNIT: mm		TITLE
TOLERANCE	±0.5mm	MI2 D Type Cable Male Conn.
SCALE	3:2	SIZE A4
REV.	B	SHEET 2 OF 2
WC-REV.	A.2	QC: Inspection item

Amphenol LTW
安費諾亮泰企業股份有限公司

ITEM NO	DRAWN BY	DATE
DWG NO	Yulong_wang	2016-10-14
CUSTOMER	CHECKED BY	DATE
ALTW	Jinhai	2016-10-14
	APPROVED BY	DATE
	Jerry	2016-10-14