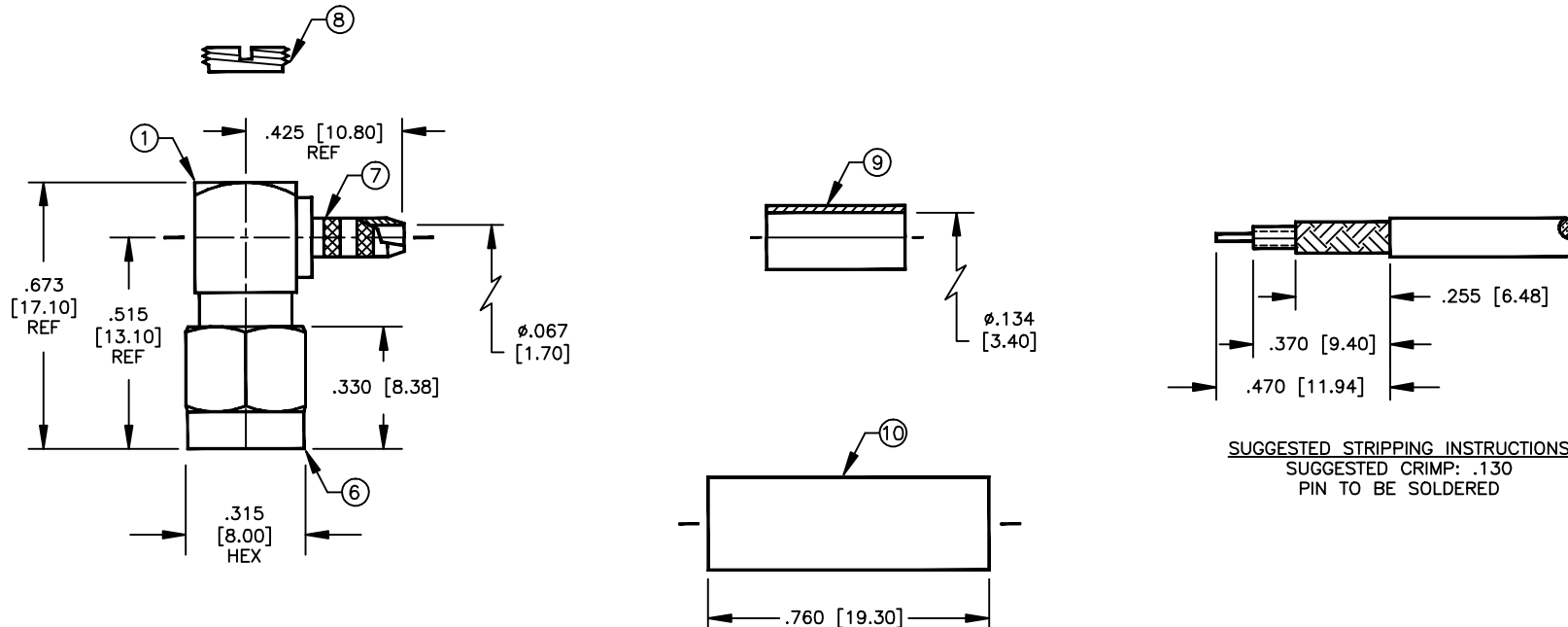


# SPECIFICATION CONTROL DRAWING

THIS DRAWING CONTAINS INFORMATION PROPRIETARY TO RF INDUSTRIES, LTD. ANY UNAUTHORIZED USE OF THIS DRAWING IS EXPRESSLY PROHIBITED. ANY VIOLATION IS PUNISHABLE UNDER U.S. COPYRIGHT LAWS.

REV	DESCRIPTION	DWN	DATE	APPROVED
A	ENGINEERING RELEASE	KMM	3/7/99	R. RICE
B	CHNG CRIMP DIE TO .130	DM	2005	R. RICE

008974



SUGGESTED STRIPPING INSTRUCTIONS  
SUGGESTED CRIMP: .130  
PIN TO BE SOLDERED

## SPECIFICATIONS:

IMPEDANCE: 50 OHMS  
 WORKING VOLTAGE: 375V PEAK @ SEA LEVEL  
 FREQUENCY RANGE: 0-12.4 GHz  
 INSERTION LOSS: ≤ -.2 dB @ 6 GHz  
 VSWR MAX: 1.3:1 @ 6 GHz  
 FOR RG-316/U DOUBLE SHIELD CABLE

ALL DIMENSIONS ARE REFERENCE ONLY

DIMENSIONS ARE IN INCHES AND [MILLIMETERS]

UNLESS OTHERWISE NOTED TOLERANCES ARE:  
DECIMALS      DIAMETER

DRAWN  
K. MAXWELL      3/7/99

CHECKED

ORJ DRAWN  
K. MAXWELL      3/7/99

APPROVALS      DATE

RFconnectors

DIVISION OF RF INDUSTRIES, LTD.

7610 MIRAMAR RD  
 SAN DIEGO, CA 92126  
 (619)549-6340  
 (619)549-6345 FAX

## RSA-3010-B1

SMA MALE RIGHT ANGLE CRIMP

SIZE <b>A</b>	CABLE GROUP <b>B1</b>	DWG NO. <b>RSA-3010-B1</b>	REV <b>B</b>
SCALE: 2:1		CAD FILE 13ARC B	SHEET 1 OF 1

ITEM	DESCRIPTION	QTY	MATERIAL	FINISH
10	TUBING [TUB-S187-BK]	1	HEAT SHRINK	BLACK
9	FERRULE [FR-44-34X95C]	1	COPPER	NICKEL
8	END CAP	1	BRASS	NICKEL
7	FERRULE STUD	1	BRASS	NICKEL
6	SHELL	1	BRASS	NICKEL
5	RETAINING RING	1	BeCu	NONE
4	GASKET	1	S.I. RUBBER	RED
3	DIELECTRIC	1	PTFE	NONE
2	PIN	1	BRASS	GOLD
1	BODY	1	BRASS	NICKEL