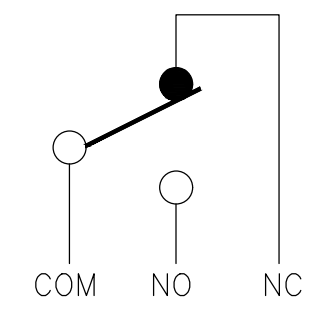
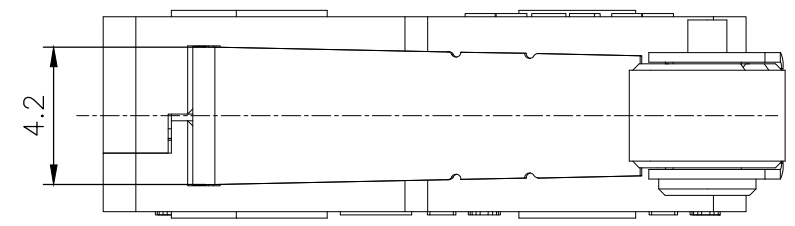
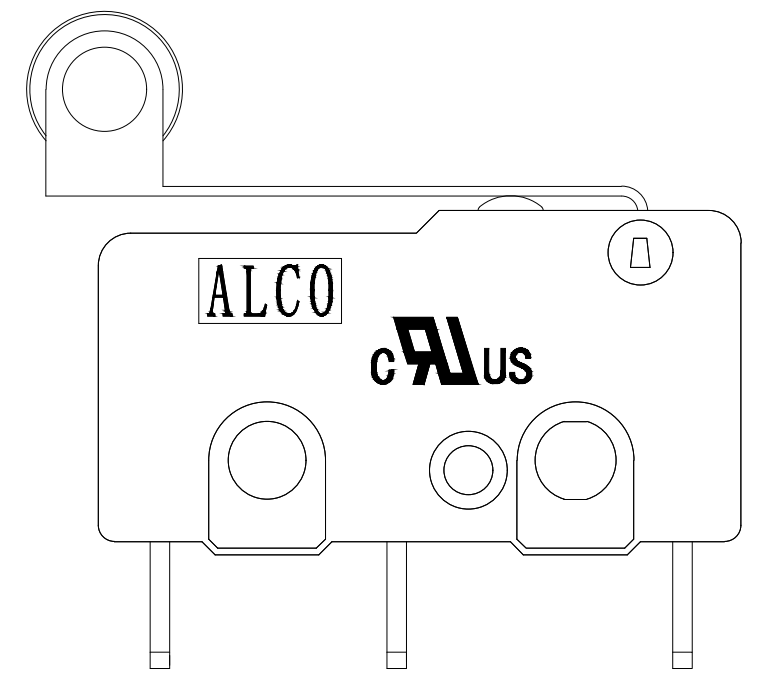
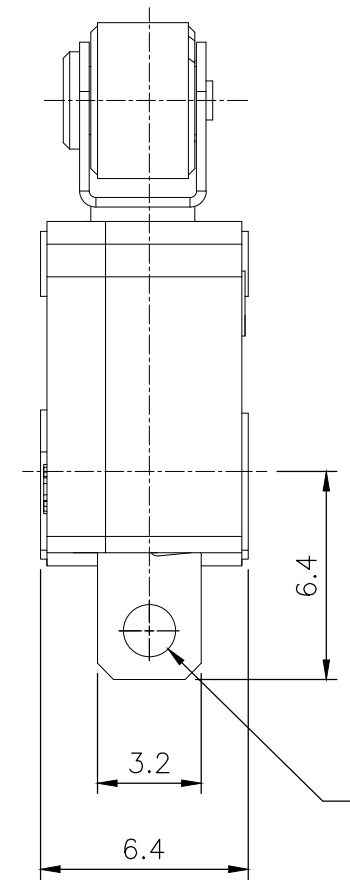
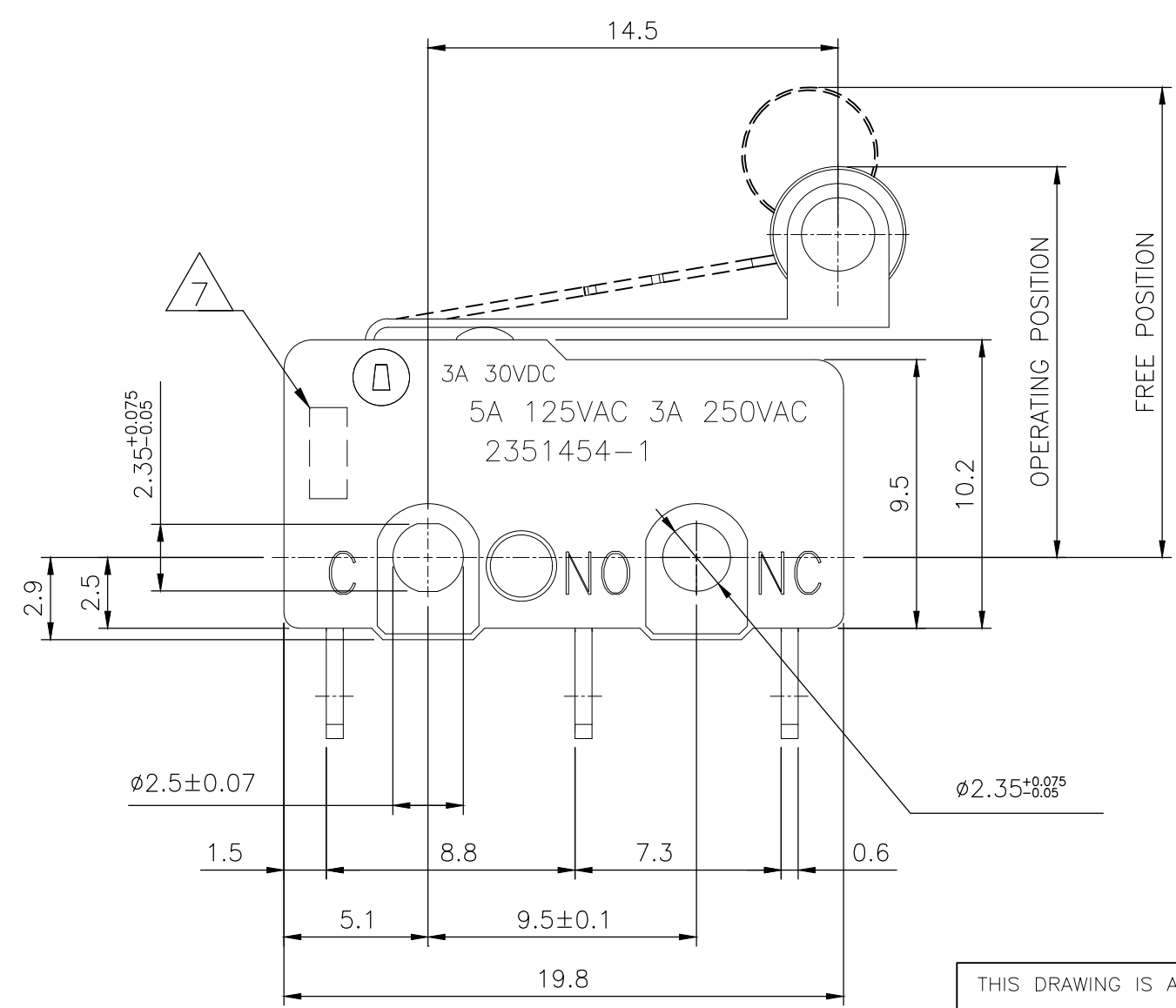


THIS DRAWING IS UNPUBLISHED. RELEASED FOR PUBLICATION
 © COPYRIGHT - TE Connectivity Ltd. ALL RIGHTS RESERVED.

REVISIONS					
P	LTR	DESCRIPTION	DATE	DWN	APVD
2		DRAWING UPDATED	10JAN2020	DHC	AS



CIRCUIT DIAGRAM



THIS DRAWING IS A CONTROLLED DOCUMENT.		DWN GANESH_CM 10MAY2019	TE Connectivity Ltd.		
DIMENSIONS: mm		CHK ALEXANDER_SHARPE 10MAY2019			
TOLERANCES UNLESS OTHERWISE SPECIFIED:		APVD ALEXANDER_SHARPE 10MAY2019	NAME		
0 PLC ± -		PRODUCT SPEC	SWITCH, SUBMINIATURE SNAP ACTION, WHEEL TYPE HINGED LEVER, SOLDER TERMINAL		
1 PLC ± -		APPLICATION SPEC	-		
2 PLC ± 0.4		WEIGHT	SIZE A3	CAGE CODE 00779	DRAWING NO C-2351454
3 PLC ± -		MATERIAL -	RESTRICTED TO		-
4 PLC ± -			SCALE NTS		SHEET 1 OF 2
ANGLES ± -		CUSTOMER DRAWING		REV 2	
FINISH -					

PRELIMINARY

THIS DRAWING IS UNPUBLISHED. RELEASED FOR PUBLICATION
 © COPYRIGHT - TE Connectivity Ltd. ALL RIGHTS RESERVED.

REVISIONS					
P	LTR	DESCRIPTION	DATE	DWN	APVD
-	-	SEE SHEET 1	-	-	-

NOTES:

- OPERATING CHARACTERISTICS ARE FOR OPERATION IN THE A DIRECTION
- PACKAGING:
SWITCHES ARE BULK PACKAGED IN BAGS, 100 SWITCHES PER BAG, 10 BAGS PER BOX.
- COMPLIANCE:
THE CURRENT STATEMENT OF COMPLIANCE IS AVAILABLE AT TE.COM.
- MATERIAL AND FINISH:
LEVER: STAINLESS STEEL
ROLLER: THERMOPLASTIC, BLACK
SHAFT: BRASS
BUTTON: THERMOPLASTIC, WHITE
COVER: THERMOPLASTIC, BLACK
SPRING PLATE: COPPER ALLOY
MOVING PLATE: COPPER ALLOY
CONTACTS: SILVER ALLOY
RIVET: ALUMINUM
TERMINAL: BRASS, SILVER PLATED
BASE: THERMOPLASTIC, BLACK
- SPECIFICATIONS:
CURRENT RATING: SEE TABLE
CONTACT RESISTANCE: 50mΩ MAXIMUM INITIAL AT FREE POSITION AND TOTAL TRAVEL POSITION
INSULATION RESISTANCE: 100MΩ MINIMUM @ 500 V DC FOR 1 MINUTE, INITIAL.
DIELECTRIC WITHSTANDING VOLTAGE, BETWEEN TERMINALS OF THE SAME POLARITY: 1000 V AC, 50 TO 60 HZ FOR 1 MINUTE
DIELECTRIC WITHSTANDING VOLTAGE, BETWEEN EACH TERMINAL AND GROUND: 1500 V AC, 50 TO 60 HZ FOR 1 MINUTE
DIELECTRIC WITHSTANDING VOLTAGE, BETWEEN EACH TERMINAL AND NON-CURRENT CARRYING METAL PART: 1500 V AC, 50 TO 60 HZ FOR 1 MINUTE
- SOLDER PROCESS:
MANUAL SOLDERING: 350°C, 3 SECONDS MAXIMUM, 30 TO 40 WATTS. PREVENT SOLDER AND FLUX CONTACTING THE SWITCH BODY.
DO NOT OPERATE THE SWITCH DURING THE FIRST MINUTE AFTER SOLDERING.
WAVE SOLDERING: 260°C, 5 SECONDS MAXIMUM. PREVENT SOLDER AND FLUX CONTACTING THE SWITCH BODY.
DO NOT OPERATE THE SWITCH DURING THE FIRST MINUTE AFTER SOLDERING.

DATE CODE:
 ① ② ③ ④

①	DAY	01 TO 31
②	MONTH	1 TO 9, X, Y, Z (X=10, Y=11, Z=12)
③	YEAR	00 TO 99
④	OTHER	N/A

8. CERTIFICATION: 

SILVER	SPDT	10,000,000 CYCLES, MINIMUM	100,000 CYCLES, MINIMUM	-40 TO +85°C/85% RELATIVE HUMIDITY MAXIMUM	-40 TO +105°C/60% RELATIVE HUMIDITY MAXIMUM	0.8 MAXIMUM	1.20 MINIMUM	14.5±0.8	19.3 MAXIMUM	0.06N MINIMUM	0.49N MAXIMUM	5A, 125VAC 3A, 250VAC 3A, 30VDC	MOMENTARY	SOLDER	SAJ25YXWHL147SDTSEQ	2351454-1
CONTACT FINISH	CONTACT FORM	MECHANICAL LIFE	ELECTRICAL LIFE	STORAGE TEMPERATURE RANGE/HUMIDITY RANGE	OPERATING TEMPERATURE RANGE/HUMIDITY RANGE	MOVEMENT DIFFERENTIAL	OVERTRAVEL	OPERATING POSITION	FREE POSITION	RELEASE FORCE	OPERATING FORCE	RATING, RESISTIVE LOAD	CONTACT CONFIGURATION	TERMINAL TYPE	TE SMART PART NUMBER	PART NUMBER

PRELIMINARY

THIS DRAWING IS A CONTROLLED DOCUMENT.

DWN	GANESH_CM	10MAY2019
CHK	ALEXANDER_SHARPE	10MAY2019
APVD	ALEXANDER_SHARPE	10MAY2019
PRODUCT SPEC	-	
APPLICATION SPEC	-	
WEIGHT	-	
CUSTOMER DRAWING		

TE Connectivity Ltd.

SWITCH, SUBMINIATURE SNAP ACTION, WHEEL TYPE HINGED LEVER, SOLDER TERMINAL

SIZE	CAGE CODE	DRAWING NO	RESTRICTED TO
A3	00779	C-2351454	-
SCALE		SHEET	REV
NTS		2 OF 2	2