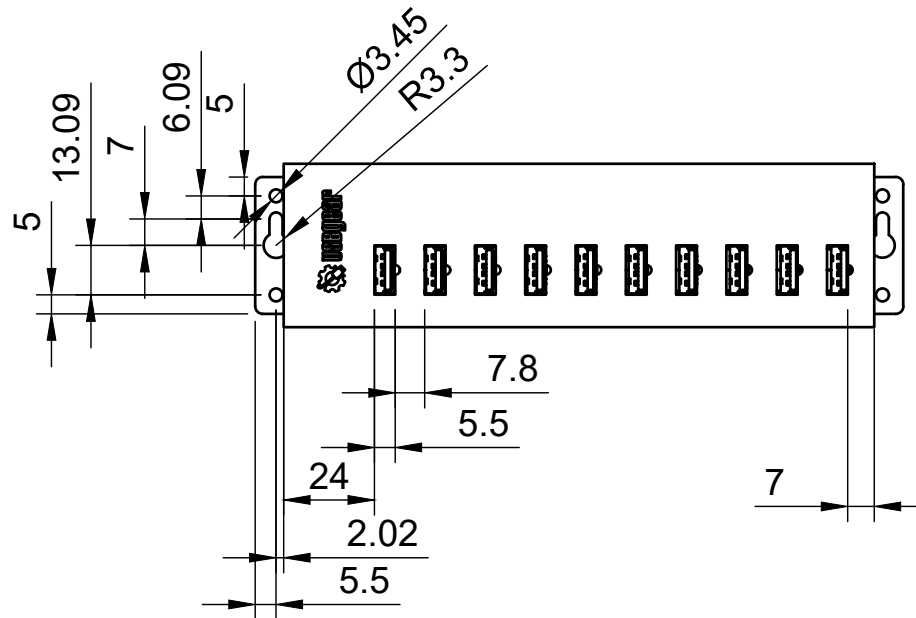
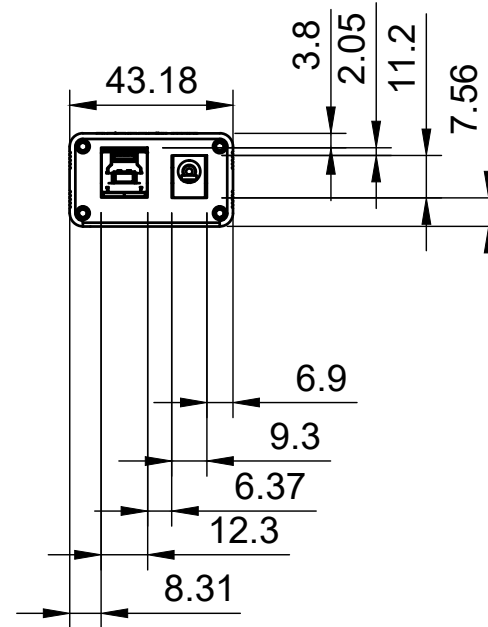
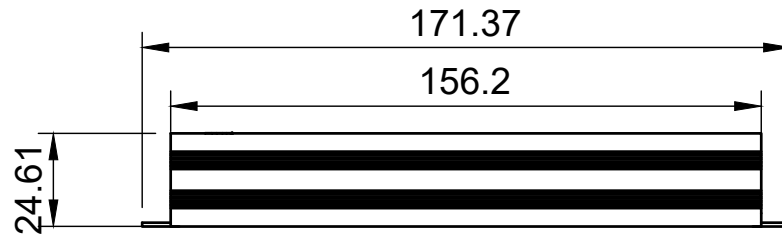
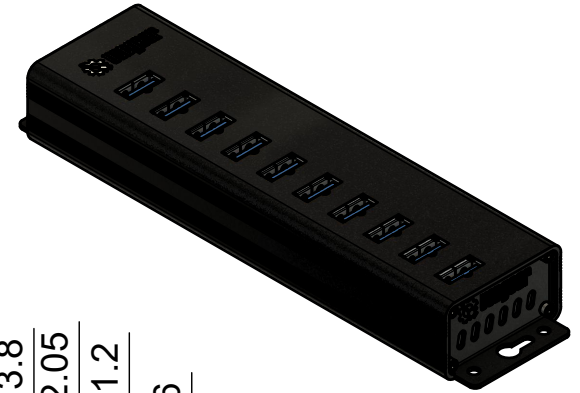



Basic Measurements
 Port Detailed
 Mounting Holes



	Model #: USBG-BREC3010	
	Drawn by: Leo Pinto	Scale: 1:2
Drawn Date: 6/10/2021	Tolerance: +/- 0.15mm	
Notes:	Contact: support@USBGear.com	
	Web: usbgear.com	
	A4	1/1