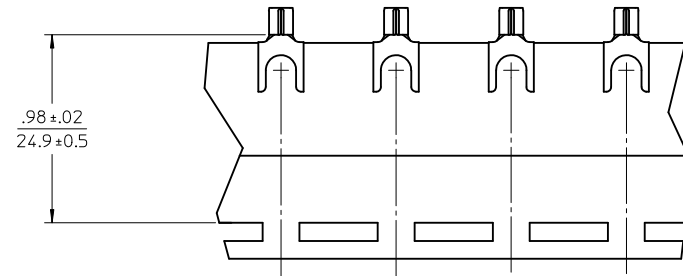
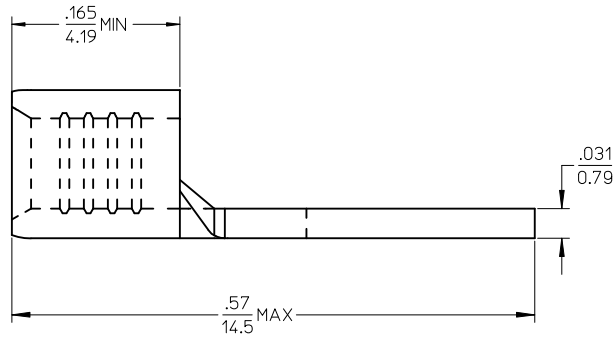
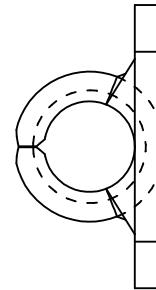
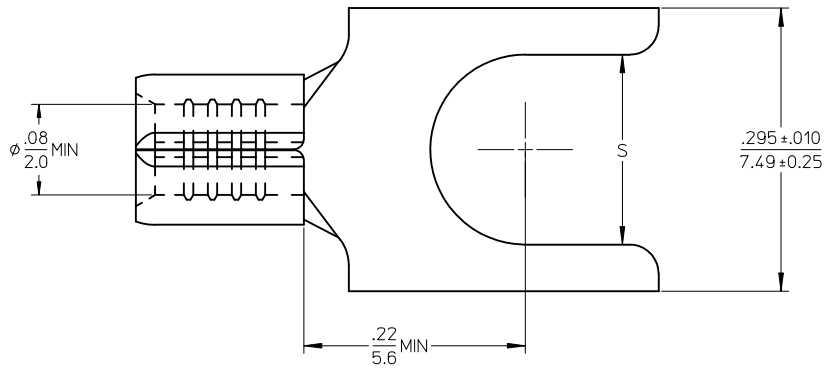


MATERIAL NO.	ENGINEERING NO.	STUD SIZE	DIMENSION S ±.005/0.13	PACKAGING
191290024	BB-1781-06	6	.146/3.71	LOOSE PIECE
191290022	BB-1781-08	8	.173/4.39	LOOSE PIECE
191290020	BB-1781-10	10	.198/5.03	LOOSE PIECE
191290021	BB-1781-08 T	8	.173/4.39	TAPE MOUNTED



PARTS ON TAPE

SALES DRAWING

NOTES:
 1) MATERIAL: MATTE TIN-PLATED COPPER
 2) PARTS ARE ROHS COMPLIANT.

RELEASED EC NO: MNA2011-0458 DRW: ETHRODAHL 2011/04/13 CHKD: JMACNEIL 2011/04/13 APPR: JMACNEIL 2011/07/05	QUALITY SYMBOLS	GENERAL TOLERANCES (UNLESS SPECIFIED)	DIMENSION STYLE	SCALE	DESIGN UNITS	THIRD ANGLE PROJECTION																																				
	$\nabla=0$ $\nabla=0$	<table border="1"> <thead> <tr> <th></th> <th>mm</th> <th>INCH</th> </tr> </thead> <tbody> <tr> <td>4 PLACES</td> <td>± .005</td> <td>± .0005</td> </tr> <tr> <td>3 PLACES</td> <td>± .005</td> <td>± .0005</td> </tr> <tr> <td>2 PLACES</td> <td>± 0.13</td> <td>± .01</td> </tr> <tr> <td>1 PLACE</td> <td>± 0.25</td> <td>± .01</td> </tr> </tbody> </table>		mm	INCH	4 PLACES	± .005	± .0005	3 PLACES	± .005	± .0005	2 PLACES	± 0.13	± .01	1 PLACE	± 0.25	± .01	<table border="1"> <thead> <tr> <th>mm</th> <th>INCH</th> </tr> </thead> <tbody> <tr> <td>± .005</td> <td>± .0005</td> </tr> <tr> <td>± 0.13</td> <td>± .01</td> </tr> <tr> <td>± 0.25</td> <td>± .01</td> </tr> </tbody> </table>	mm	INCH	± .005	± .0005	± 0.13	± .01	± 0.25	± .01	<table border="1"> <thead> <tr> <th>DRAWN BY</th> <th>DATE</th> </tr> </thead> <tbody> <tr> <td>ETHRODAHL</td> <td>2011/04/13</td> </tr> <tr> <th>CHECKED BY</th> <th>DATE</th> </tr> <tr> <td>JMACNEIL</td> <td>2011/04/13</td> </tr> <tr> <th>APPROVED BY</th> <th>DATE</th> </tr> <tr> <td>JMACNEIL</td> <td>2011/07/05</td> </tr> </tbody> </table>	DRAWN BY	DATE	ETHRODAHL	2011/04/13	CHECKED BY	DATE	JMACNEIL	2011/04/13	APPROVED BY	DATE	JMACNEIL	2011/07/05	10:1	INCH	
		mm	INCH																																							
	4 PLACES	± .005	± .0005																																							
3 PLACES	± .005	± .0005																																								
2 PLACES	± 0.13	± .01																																								
1 PLACE	± 0.25	± .01																																								
mm	INCH																																									
± .005	± .0005																																									
± 0.13	± .01																																									
± 0.25	± .01																																									
DRAWN BY	DATE																																									
ETHRODAHL	2011/04/13																																									
CHECKED BY	DATE																																									
JMACNEIL	2011/04/13																																									
APPROVED BY	DATE																																									
JMACNEIL	2011/07/05																																									
DESCRIPTION REV A	ANGULAR ±1/2° DRAFT WHERE APPLICABLE MUST REMAIN WITHIN DIMENSIONS	SEE CHART	MATERIAL NO. SEE CHART	TITLE SPADE TONGUE TERMINAL (BLOCK), 16-14 AWG, KRIMPTITE	MOLEX INCORPORATED	SHEET NO. 1 OF 1																																				