

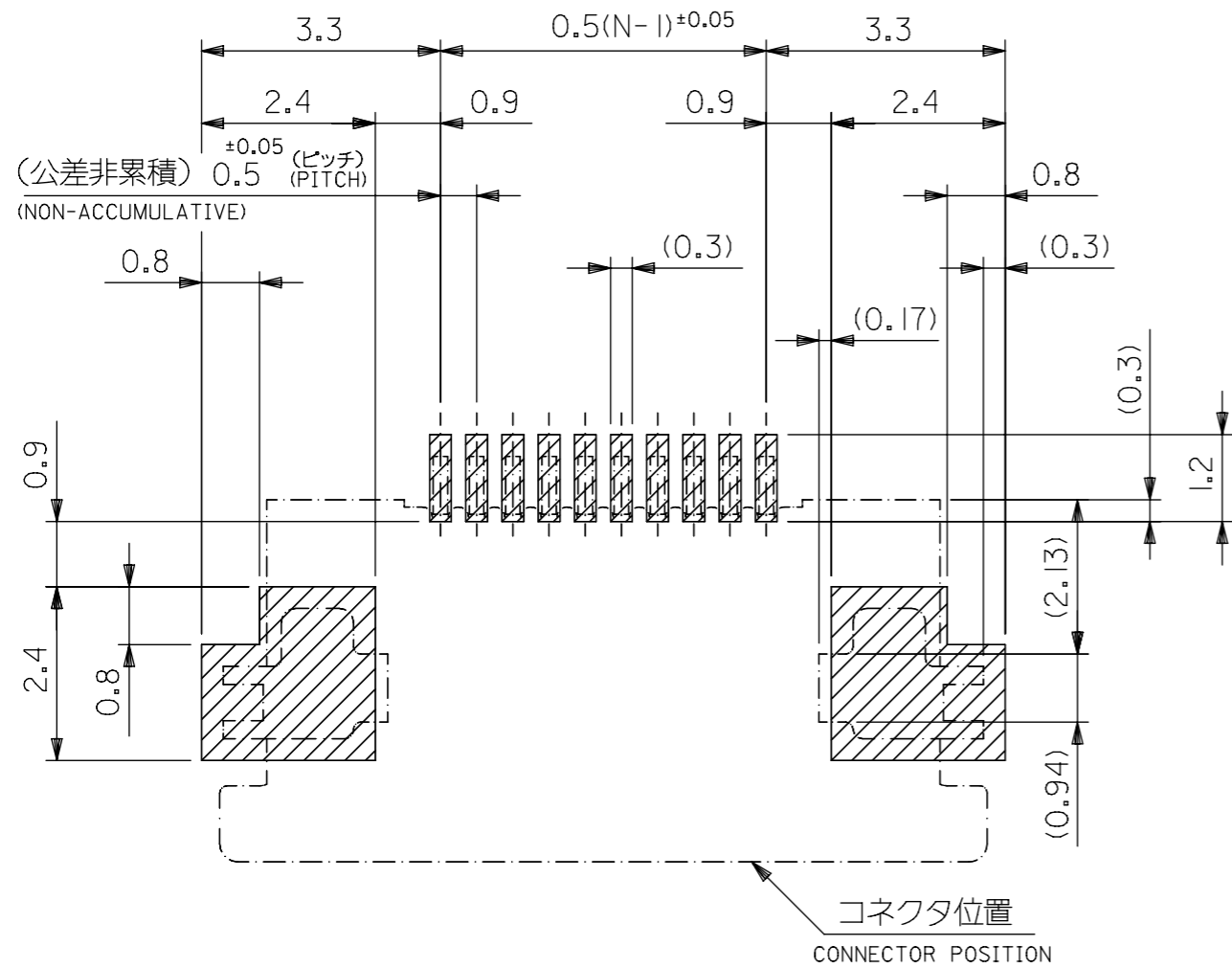
金具
FITTING NAIL

30.5	29.3	25.65	24.5	54104-5096	54104 - 5039	50
28.5	27.3	23.65	22.5	54104-4696	54104 - 4639	46
28.0	26.8	23.15	22.0	54104-4596	54104 - 4539	45
25.5	24.3	20.65	19.5	54104-4096	54104 - 4039	40
24.5	23.3	19.65	18.5	54104-3896	54104 - 3839	38
23.5	22.3	18.65	17.5	54104-3696	54104 - 3639	36
23.0	21.8	18.15	17.0	54104-3596	54104 - 3539	35
22.5	21.3	17.65	16.5	54104-3496	54104 - 3439	34
22.0	20.8	17.15	16.0	54104-3396	54104 - 3339	33
21.5	20.3	16.65	15.5	54104-3296	54104 - 3239	32
20.5	19.3	15.65	14.5	54104-3096	54104 - 3039	30
D	C	B	A	EMBOSSED TAPE	MATERIAL NO.	CIRCUIT
				ORDER No. オーダー番号		

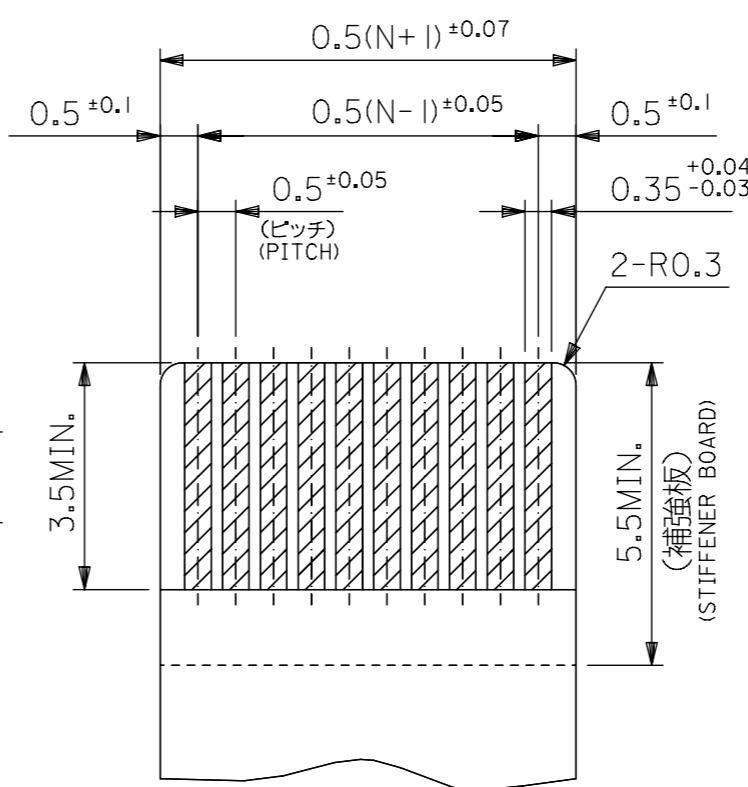
THIS DRAWING CONTAINS INFORMATION THAT IS PROPRIETARY TO MOLEX ELECTRONIC TECHNOLOGIES, LLC AND SHOULD NOT BE USED WITHOUT WRITTEN PERMISSION

DIMENSION UNITS mm	SCALE NTS	CURRENT REV DESC:		molex		
GENERAL TOLERANCES (UNLESS SPECIFIED)		EC NO: 719890 DRWN: NARENC CHK'D: SMARUYAMA APPR: YNAITO				
ANGULAR TOL ± °		INITIAL REVISION:		PRODUCT CUSTOMER DRAWING		
4 PLACES ±		DRWN: YSAKIYAMA APPR: MSASAO		DOCUMENT NUMBER SD-54104-071		
3 PLACES ±		2022/08/22 2022/09/05 2022/09/05		DOC TYPE DOC PART REVISION PSD 001 B		
2 PLACES ±		2004/01/27 2004/01/29		MATERIAL NUMBER SEE TABLE		
1 PLACE ±		THIRD ANGLE PROJECTION		CUSTOMER GENERAL MARKET		
0 PLACES ±		DRAWING A3-SIZE		SHEET NUMBER 1 OF 2		
DRAFT WHERE APPLICABLE MUST REMAIN WITHIN DIMENSIONS		SERIES 54104				

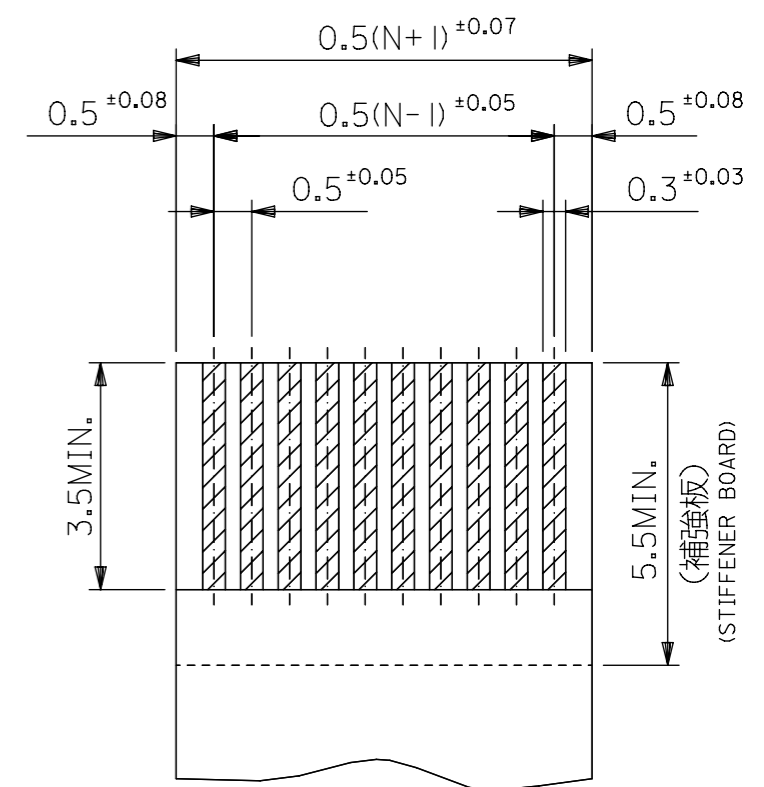
GENERAL TOLERANCES (UNLESS SPECIFIED)	
10 ^{UNDER}	±0.2
10 ^{OVER} 30 ^{UNDER}	±0.25
30 ^{OVER}	±0.3
ANGULAR	±3°



参考基板レイアウト
RECOMMENDED P.C.BOARD
PATTERN DIMENSION (REF.)
(マウント面)
(MOUNTING SIDE)



適合FPC推奨寸法
APPLICABLE FPC
RECOMMENDED DIMENSION
(仕上がり厚さ: 0.3±0.03)
(THICKNESS: 0.3±0.03)



適合FFC推奨寸法
APPLICABLE FFC
RECOMMENDED DIMENSION
(仕上がり厚さ: 0.3±0.03)
(THICKNESS: 0.3±0.03)

注記 NOTES

- I. 使用材料 MATERIAL
- ハウジング HOUSING : 46ナイロン, UL94V-0 46NYLON
 - アクチュエータ ACTUATOR : PPS, UL94V-0
 - ターミナル TERMINAL : リン青銅, ニッケル下地 錫ビスマスメッキ (t=0.2) PHOS-BRONZE, TIN-BISMUTH OVER NICKEL PLATING.(t=0.2)
 - 金具 FITTING NAIL : リン青銅, ニッケル下地 錫メッキ (t=0.2) PHOS-BRONZE, TIN OVER NICKEL PLATING.(t=0.2)

2. エンボステープ梱包時は、アクチュエータがロックした状態とする。
IN THE PACKAGE, ACTUATOR OF PART NO.54104-***39 SHOULD BE LOCKED.
- ⚠️ ソルダータール半田付け面のズレ量、及び金具半田付け面のズレ量は、基準面 H に対し上方向 0.1 MAX. 下方向 0.15 MAX. とし、相互のバラツキ量は、0.1 MAX. とする。
MISALIGNMENT OF SOLDER TAILS AND FITTING NAILS FROM UPPER DIRECTION: 0.1 MAX. , LOWER DIRECTION: 0.15 MAX. OFFSET BETWEEN UPPER AND LOWER 0.1 MAX. H
- ⚠️ 偶数極に適用。
APPLY FOR EVEN CIRCUIT.
- ⚠️ パターンはくり止め用金具
FITTING NAIL FOR PREVENTION OF PEELING OF P.C.B. PATTERN.
6. 本製品は 54104-***37 の鉛フリー品である。
THIS PRODUCT IS LEAD FREE OF 54104-***37.

FPC/FFCについて

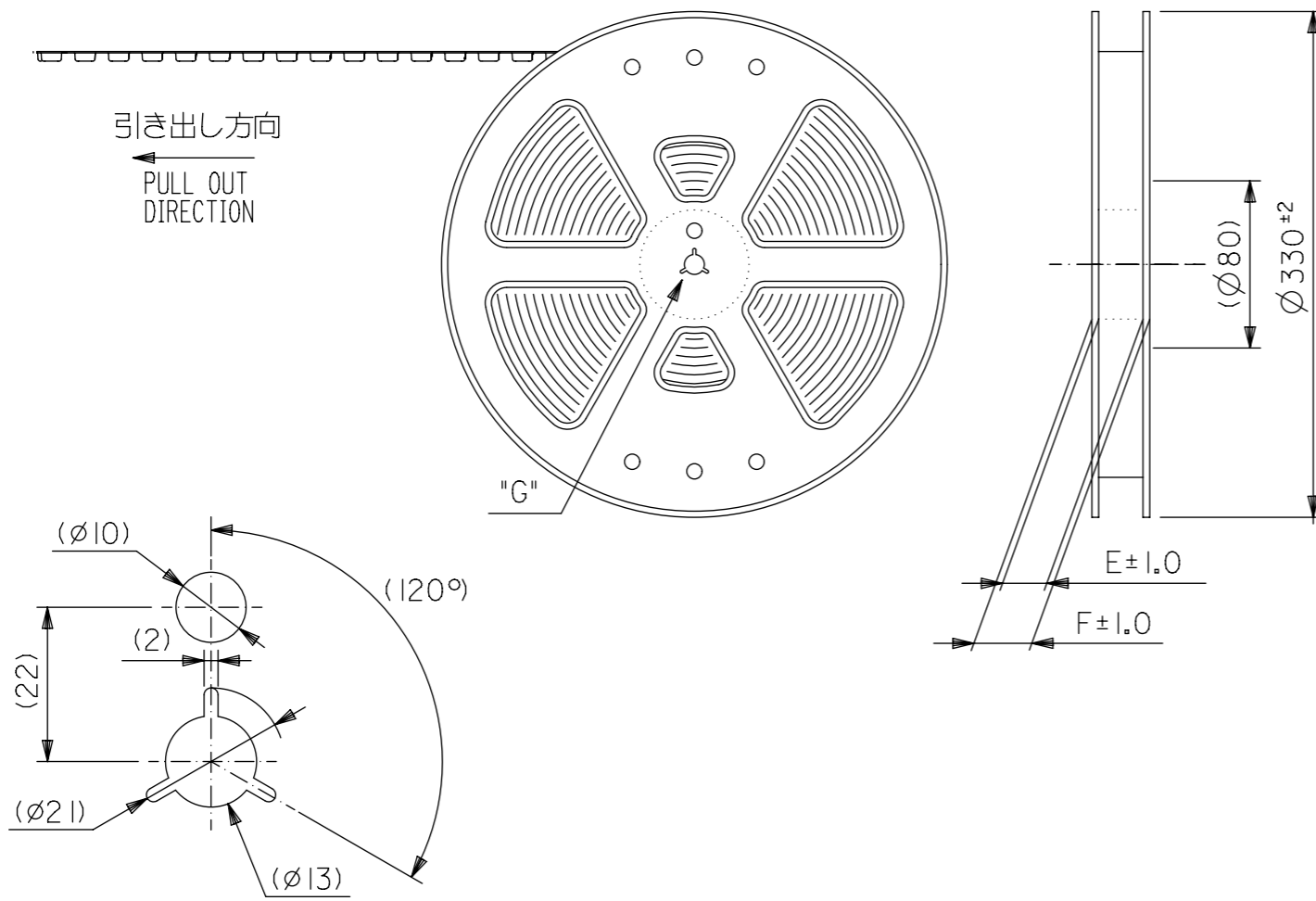
打抜き方向は導体側から補強板側を推奨いたします。
導体部については軟銅箔35マイクロメートルまたは50マイクロメートルメッキ厚 3~9マイクロメートル錫または半田メッキ (電気メッキ)
RECOMMENDED PUNCHER DIRECTION:
FROM CONDUCTOR SIDE TO STIFFENER BOARD SIDE.
RECOMMENDED CONDUCTOR SPEC.:
THICKNESS OF SOFT COPPER FOIL:
35 micrometer or 50 micrometer
TIN OR SOLDER PLATING:
3~9 micrometer (ELECTRICAL PLATING)

FPCについて

補強フィルム材質はポリイミドを推奨致します。
接着剤は熱硬化接着剤を推奨致します。
RECOMMENDED MATERIAL:
STIFFENER FILM : POLYIMIDE
BONDING AGENT : THERMOSETTING BONDING AGENT

54104-***39 MODEL NO.

THIS DRAWING CONTAINS INFORMATION THAT IS PROPRIETARY TO MOLEX ELECTRONIC TECHNOLOGIES, LLC AND SHOULD NOT BE USED WITHOUT WRITTEN PERMISSION		CURRENT REV DESC:		molex	
DIMENSION UNITS	SCALE	EC NO: 719890			
mm	NTS	DRWN: NARENC 2022/08/22		0.5 FPC CONN ZIF HSG ASSY FOR SMT RA UPR CONT -LEAD FREE-	
GENERAL TOLERANCES (UNLESS SPECIFIED)		CHK'D: SMARUYAMA 2022/09/05			
ANGULAR TOL ± °		APPR: YNAITO 2022/09/05		PRODUCT CUSTOMER DRAWING	
4 PLACES ±		INITIAL REVISION:		DOCUMENT NUMBER	
3 PLACES ±		DRWN: YSAKIYAMA 2004/01/27		SD-54104-071	
2 PLACES ±		APPR: MSASAO 2004/01/29		DOC TYPE DOC PART REVISION	
1 PLACE ±		DRAFT WHERE APPLICABLE MUST REMAIN WITHIN DIMENSIONS		PSD 001 B	
0 PLACES ±		THIRD ANGLE PROJECTION		MATERIAL NUMBER CUSTOMER	
GENERAL TOLERANCES (UNLESS SPECIFIED)		DRAWING SERIES		SEE TABLE GENERAL MARKET	
10 ^{UNDER}	±0.2	A3-SIZE 54104		SHEET NUMBER	
10 ^{OVER} 30 ^{UNDER}	±0.25			2 OF 2	
30 ^{OVER}	±0.3				
ANGULAR	±3 °				



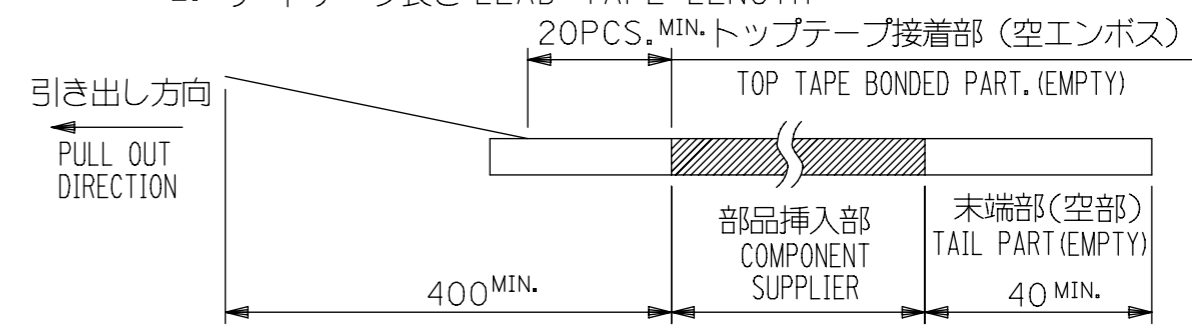
DETAIL "G"

4. 材料 (MATERIAL)
 キャリアテープ (CARRIER TAPE) : ポリプロピレン (POLYPROPYLENE)
 トップテープ (TOPTAPE) : PET, PE, PEF
 リール (REEL) : ポリスチレン (PS) <リサイクル材を含む>
 POLYSTYRENE (PS) <RECYCLE MATERIAL CONTAINED>

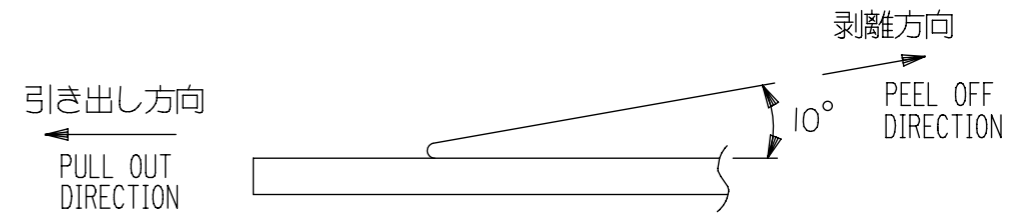
5. 本製品は 54104-**-92 の鉛フリー品である。
 THIS PRODUCT IS LEAD FREE OF 54104-**-92.

NOTES

- 梱包数量 : 1500個/リール
 NUMBER OF CONNECTORS : 1500PCS/REEL
- リードテープ長さ LEAD TAPE LENGTH



- トップテープの剥離強度 : 0.1 ~ 1.3N {10 ~ 130gf}
 (剥離方向は下図参照)
 尚、本規格値は出荷時に適用。(但し、輸送時に剥離が発生しないこと。)
 PEELING OFF FORCE OF TOP TAPE : 0.1 ~ 1.3N {10 ~ 130gf}
 (PEELING DIRECTION AS SHOWN IN FOLLOWING FIG.)
 THIS REQUIREMENT SHOULD BE APPLIED AT SHIPMENT.
 PEEL OFF SHOULD NOT BE ALLOWED, DURING TRANSPORTATION.



44	49.4	45.4	30.8	31.9	26.1	29.6	54104-5096	50
			28.8	29.9	24.1	27.6	-4696	46
			28.3	29.4	23.6	27.1	-4596	45
			25.8	26.9	21.1	24.6	-4096	40
			24.8	25.9	20.1	23.6	-3896	38
			23.8	24.9	19.1	22.6	-3696	36
			23.3	24.4	18.6	22.1	-3596	35
			22.8	23.9	18.1	21.6	-3496	34
			22.3	23.4	17.6	21.1	-3396	33
			21.8	22.9	17.1	20.6	-3296	32
20.8	21.9	16.1	19.6	54104-3096	30			
キャリアテープ幅 CARRIER TAPE WIDTH	F	E	D	C	B	A	MATERIAL NO.	CIRCUIT

MODEL NO. 54104-**-96

THIS DRAWING CONTAINS INFORMATION THAT IS PROPRIETARY TO MOLEX ELECTRONIC TECHNOLOGIES, LLC AND SHOULD NOT BE USED WITHOUT WRITTEN PERMISSION		CURRENT REV DESC:		molex	
DIMENSION UNITS	SCALE	EC NO: 719890			
mm	NTS	DRWN: NARENC 2022/08/22		PRODUCT CUSTOMER DRAWING	
GENERAL TOLERANCES (UNLESS SPECIFIED)		CHK'D: SMARUYAMA 2022/09/05		DOCUMENT NUMBER	
ANGULAR TOL ± °		APPR: YNAITO 2022/09/05		SD-54104-072	
4 PLACES ±		INITIAL REVISION:		DOC TYPE DOC PART REVISION	
3 PLACES ±		DRWN: YSAKIYAMA 2004/01/27		PSD 001 B	
2 PLACES ±		APPR: MSASAO 2004/01/29		MATERIAL NUMBER	
1 PLACE ±		DRAWING		CUSTOMER	
0 PLACES ±		SERIES		SHEET NUMBER	
DRAFT WHERE APPLICABLE MUST REMAIN WITHIN DIMENSIONS		THIRD ANGLE PROJECTION		SEE TABLE	
GENERAL TOLERANCES (UNLESS SPECIFIED)		DRAWING		GENERAL MARKET	
10 ^{UNDER}	±0.2	A3-SIZE		1 OF 2	
10 ^{OVER} 30 ^{UNDER}	±0.25	54104			
30 ^{OVER}	±0.3				
ANGULAR	±3°				

