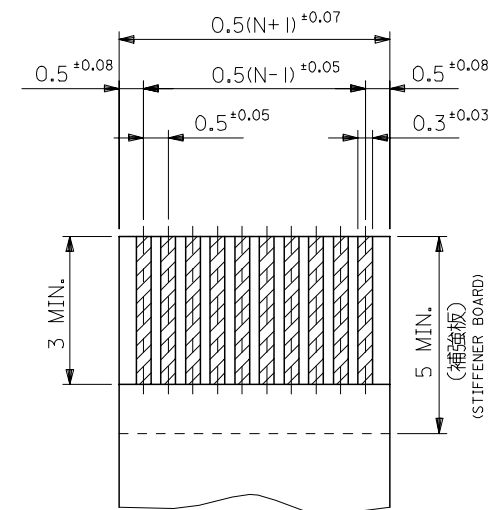
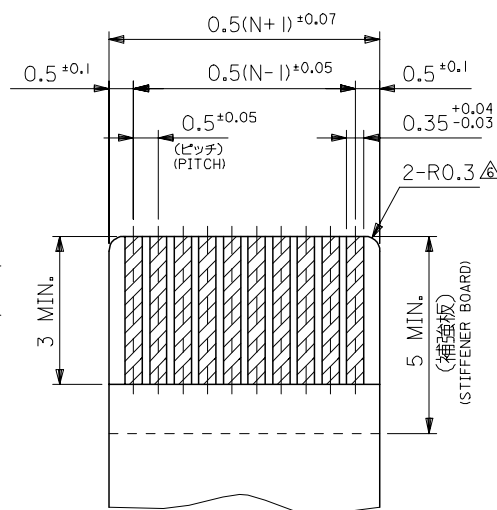
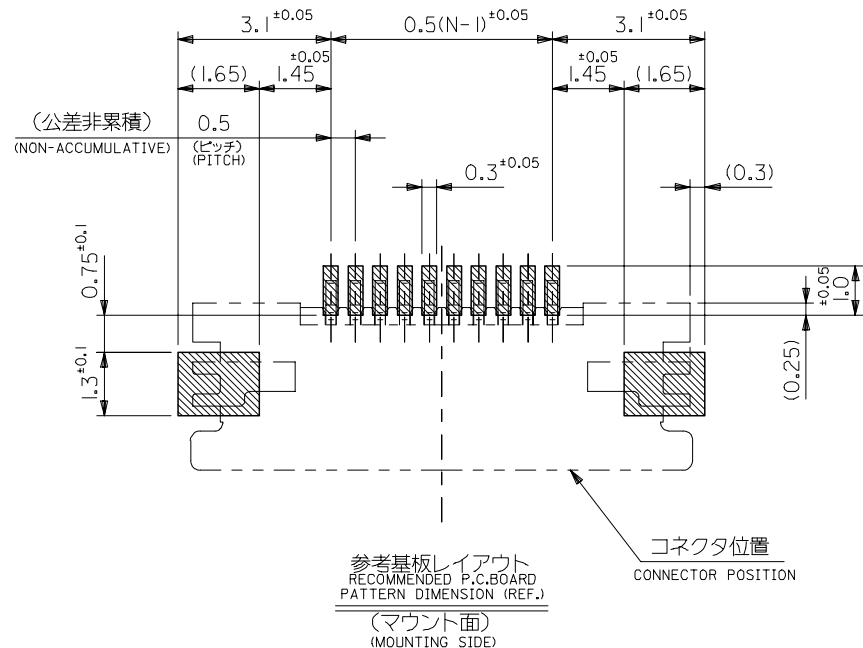


0.3 ±0.03	0.28 ±0.03	13.65	17	12.5	18.2	54548-2611	26
		12.65	16	11.5	17.2	54548-2411	24
		11.65	15	10.5	16.2	54548-2211	22
		11.15	14.5	10	15.7	54548-2111	21
		10.65	14	9.5	15.2	54548-2011	20
		9.65	13	8.5	14.2	54548-1811	18
		9.15	12.5	8	13.7	54548-1711	17
		8.65	12	7.5	13.2	54548-1611	16
		8.15	11.5	7	12.7	54548-1511	15
		7.65	11	6.5	12.2	54548-1411	14
		7.15	10.5	6	11.7	54548-1311	13
		6.65	10	5.5	11.2	54548-1211	12
		6.15	9.5	5	10.7	54548-1111	11
	5.65	9	4.5	10.2	54548-1011	10	
	5.15	8.5	4	9.7	54548-0911	9	
	4.65	8	3.5	9.2	54548-0811	8	
	4.15	7.5	3	8.7	54548-0711	7	
	3.65	7	2.5	8.2	54548-0611	6	
	3.15	6.5	2	7.7	54548-0511	5	
THICKNESS OF FPC	D	C	B	A	製品番号 MATERIAL No.	極数 CKT	

MODEL No. : 54548-\*\*-11

REVISED EC NO: J2007-1760 DRWN: A0YAGI CHKD: TOYODA APPR: NUKITA 2007/02/14 2007/06/01 2007/06/06	GENERAL TOLERANCES (UNLESS SPECIFIED)		DIMENSION STYLE MM ONLY		SCALE 10:1	DESIGN UNITS METRIC	THIRD ANGLE PROJECTION	
	10 UNDER	±0.2	DRAWN BY MFUJIKURA	DATE 99/03/24	TITLE <b>0.5 FPC CONN. ZIF HOUSING ASSY FOR SMT</b>			
	10 OVER 30 UNDER	±0.25	CHECKED BY SKUNISHI	DATE 99/03/24				
	30 OVER	±0.3	APPROVED BY TYAMAGUCHI	DATE 99/03/24				
	ANGULAR ±3 °		DRAFT WHERE APPLICABLE MUST REMAIN WITHIN DIMENSIONS		MATERIAL NO. SEE CHART		DOCUMENT NO. SD-54548-005	
SIZE A3		THIS DRAWING CONTAINS INFORMATION THAT IS PROPRIETARY TO MOLEX INCORPORATED AND SHOULD NOT BE USED WITHOUT WRITTEN PERMISSION						

10 9 8 7 6 5 4 3 2 1



適合FPC推奨寸法  
APPLICABLE FPC  
RECOMMENDED DIMENSION  
(仕上がり厚さ:表参照)  
(THICKNESS:SEE CHART)

適合FFC推奨寸法  
APPLICABLE FFC  
RECOMMENDED DIMENSION  
(仕上がり厚さ:表参照)  
(THICKNESS:SEE CHART)

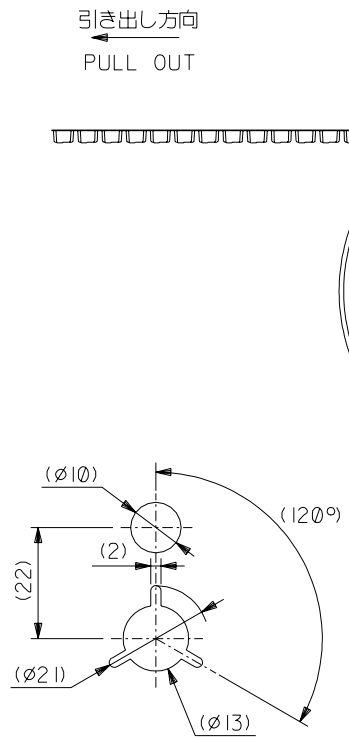
FPC/FFC について:  
打ち抜き方向は導体側から補強板側を推奨します。  
導体部については軟銅箔35 $\mu$ mまたは50 $\mu$ mを推奨します。  
ABOUT FPC/FFC  
RECOMMENDED PUNCHER DIRECTION : FROM CONDUCTOR SIDE TO STIFFENER FILM SIDE.  
RECOMMENDED CONDUCTOR SPEC :  
THICKNESS OF SOFT COPPER FOIL : 35 MICROMETER OR 50 MICROMETER.

FPC について:  
補強フィルム材質はポリイミドを推奨します。ベースフィルムは25 $\mu$ mを推奨します。  
接着剤は熱硬化接着剤を推奨します。  
尚、接着剤の接点部への付着は導通不良の原因になりますので、染み出しが無い様、お願い致します。  
ABOUT FPC  
RECOMMENDED MATERIAL/THICKNESS.  
STIFFENER FILM : POLYIMIDE  
BASE FILM THICKNESS : 25 $\mu$ m  
BONDING AGENT : THERMOSETTING BONDING AGENT  
PLEASE PUT APPROPRIATE AMOUNT OF ADHESIVE ON THE CONTACT AREA BECAUSE THE EXTRA ADHESIVE MAY CAUSE THE DEFECT IN ELECTRICAL CONTINUITY.

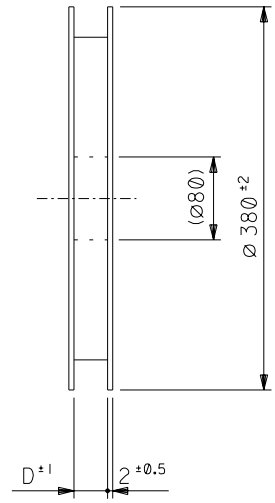
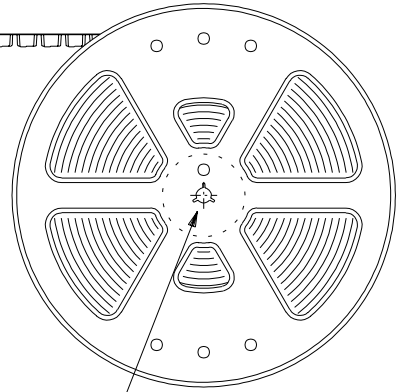
注記 NOTES

1. 使用材料 MATERIAL  
ハウジング : LCP, UL94V-0  
HOUSING  
アクチュエータ : PPS, UL94V-0  
ACTUATOR  
ターミナル : リン青銅、半田メッキ (t=0.2)  
TERMINAL PHOS-BRO,TIN-LEAD-PLATED  
金具 : リン青銅、半田メッキ (t=0.2)  
FITTING NAIL PHOS-BRO,TIN-LEAD-PLATED
2. エンボステープ梱包時は、アクチュエータがロックした状態とする。  
IN THE PACKAGE,ACTUATOR OF PART NO.54548-\*\*\*II SHOULD BE LOCKED.
- △ ソルダテール半田付け面のスレ量、及び金具半田付け面のスレ量は、基準面 Z に対し上方向 0MAX.、下方向 0.15MAX.とし  
相互のバラツキ量は0.1MAX.とする。  
MISALIGNMENT OF SOLDER TAILS AND FITTING NAILS FROM Z  
UPPER DIRECTION:0 MAX. . LOWER DIRECTION:0.15 MAX.  
OFFSET BETWEEN UPPER AND LOWER 0.1 MAX.
- △ 偶数極に適用。  
APPLY FOR EVEN CIRCUIT.
- △ パターンはくり止め用金具  
FITTING NAIL FOR PREVENTION OF PEELING  
OF P.C.B. PATTERN.
- △ R0.3はFPC導体部にかからないこと  
R0.3 MUST NOT BE OVERLAPPED TO PATTERN OF FPC.
7. N: 極数 N: CIRCUIT.

REVISED EC NO: J2007-4760 DRWN: A0YAGI CHKD: TOYODA APPR: NUKITA	DESCRIPTION 2007/02/14 2007/06/01 2007/06/06	GENERAL TOLERANCES (UNLESS SPECIFIED)		DIMENSION STYLE MM ONLY		SCALE ---	DESIGN UNITS METRIC	MODEL No. 54548-***II	THIRD ANGLE PROJECTION
		10 UNDER	± 0.2	DRAWN BY MFUJIKURA	DATE 99/03/24	TITLE 0.5 FPC CONN. ZIF HOUSING ASSY FOR SMT			
		10 OVER 30 UNDER	± 0.25	CHECKED BY SKUNISHI	DATE 99/03/24	MOLEX INCORPORATED			
		30 OVER	± 0.3	APPROVED BY TYAMAGUCHI	DATE 99/03/24	SHEET NO. 2 OF 2			
ANGULAR ± 3 °		DRAFT WHERE APPLICABLE MUST REMAIN WITHIN DIMENSIONS		MATERIAL NO. SEE SHEET 1		DOCUMENT NO. SD-54548-005		SHEET NO. 2 OF 2	
THIS DRAWING CONTAINS INFORMATION THAT IS PROPRIETARY TO MOLEX INCORPORATED AND SHOULD NOT BE USED WITHOUT WRITTEN PERMISSION									

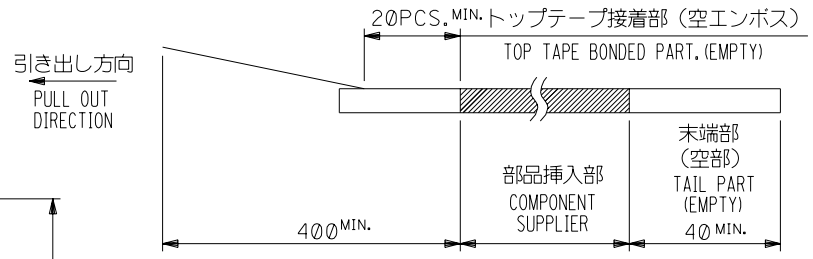


DETAIL "F"

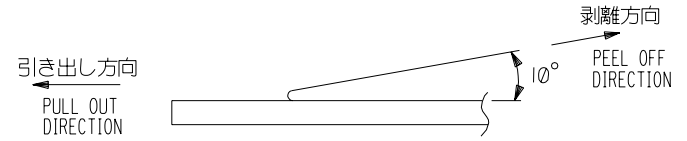


NOTES

- 製品詳細寸法については図面 54548-\*\*\*11 を参照下さい。  
RE DETAILED DIMENSION, SEE 54548-\*\*\*11
- 梱包数量：3000個/リール  
NUMBER OF CONNECTORS : 3000PCS/REEL
- リードテープ長さ LEAD TAPE LENGTH



- トップテープの剥離強度：0.1N ~ 0.7N(10.2gf ~ 71.4gf)  
(剥離方向は下図参照)  
尚、本規格値は出荷時に適用。(但し、輸送時に剥離が発生しないこと。)  
PEELING OFF FORCE OF TOP TAPE : 0.1N ~ 0.7N(10.2gf ~ 71.4gf)  
(PEELING DIRECTION AS SHOWN IN FOLLOWING FIG.)  
THIS REQUIREMENT SHOULD BE APPLIED AT SHIPMENT.  
PEEL OFF SHOULD NOT BE ALLOWED ,DURING TRANSPORTATION.



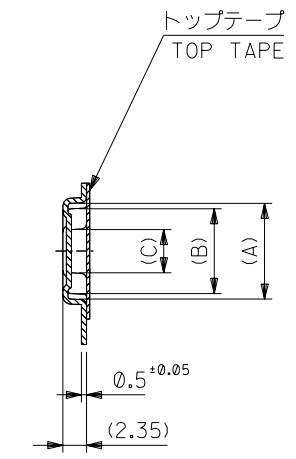
- 材料(MATERIAL)  
キャリアテープ(CARRIER TAPE)：ポリプロピレン(POLYPROPYLENE)  
トップテープ(TOP TAPE)：PET , PE , PEF  
リール(REEL)：ポリスチレン (PS) <リサイクル材を含む>  
POLYSTYREN(PS) <RECYCLE MATERIAL CONTAINED>

DO NOT SCALE DRAWING

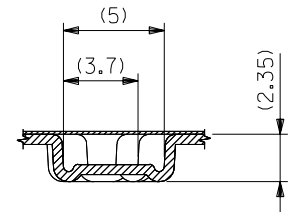
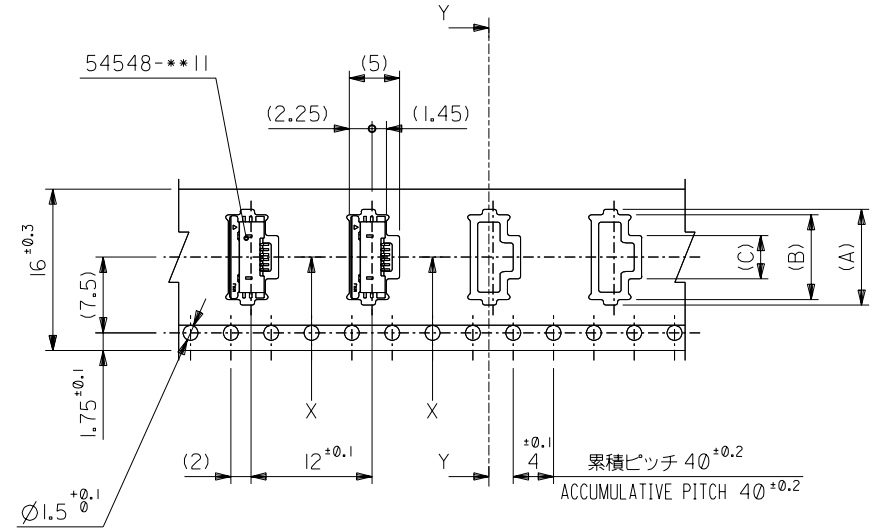
EC NO. DRWN: CHK: APPR:		EC NO. DRWN: CHK: APPR:		EC NO. DRWN: CHK: APPR:		REVISED EC NO. J2003-1795 DRWN: R.SUMIYA '03/01/07 CHK: K.KASAHARA '03/01/07 APPR: T.YAMAGUCHI '03/01/07		EC NO. J2002-2829 DRWN: T.HANYU '02/05/15 CHK: M.SASAO '02/05/15 APPR: M.SASAO '02/05/15		MATERIAL 材料 注記参照 SEE NOTES		GENERAL TOLERANCES: (UNLESS SPECIFIED) 一般公差		54548-**90		MODEL No.		DIMENSIONS:		SHT		REV							
						L		K		FINISH 仕上げ		10 UNDER 未満		±0.2		SCALE —#		DESIGN UNITS <input checked="" type="checkbox"/> mm <input type="checkbox"/> INCH		<input checked="" type="checkbox"/> mm <input type="checkbox"/> INCH		THIRD ANGLE PROJECTION		mm ONLY		mm ONLY		REVISE ON CAD ONLY	
										WIRE RANGE 適用層線範囲		10 OVER 30 UNDER 未満		±0.25		DRAWN BY & DATE M.FUJIKURA '00/12/06		TITLE: 0.5 FPC Conn ZIF Hsg Assy SMT RA Bottom Contact Embstp Pkg		MOLEX INCORPORATED		MATERIAL NO. SEE CHART		DRAWING NO. SD-54548-006		SHEET NO. 1 OF 4			
										30 OVER 以上		±0.3		CHECKED BY & DATE S.KUNISHI '01/07/26		APPROVED BY & DATE T.YAMAGUCHI '01/07/26												THIS DRAWING CONTAINS INFORMATION THAT IS PROPRIETARY TO MOLEX INCORPORATED AND SHOULD NOT BE USED WITHOUT WRITTEN PERMISSION.	
										ANGLE 角度		±3°		CAD FILENAME 54548006.S01										EN-02J(097) MXJ-54					

54548006.S01

引き出し方向  
PULL OUT DIRECTION



SECT. Y-Y



SECT. X-X

16mm幅キャリアテープ  
16mm WIDTH CARRIER TAPE

16	17.5	4.3	8.4	9.5	54548-0690	6	
		3.8	7.9	9	54548-0590	5	
キャリアテープ幅 CARRIER TAPE WIDTH		D	(C)	(B)	(A)	製品番号 MATERIAL No.	種数 Ck+

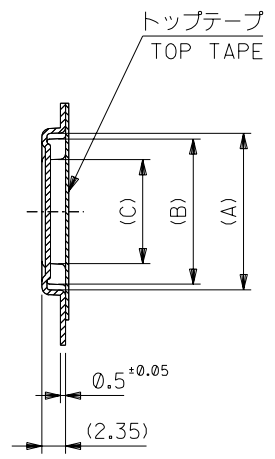
DO NOT SCALE DRAWING

EC NO. DRWN: CHK: APPR:	EC NO. DRWN: CHK: APPR:	EC NO. DRWN: CHK: APPR:	EC NO. DRWN: CHK: APPR:	EC NO. DRWN: CHK: APPR:	SEE SHEET 1 OF 4	MATERIAL 材料 SHEET 1 OF 4 参照 REFER TO SHEET 1 OF 4	GENERAL TOLERANCES: (UNLESS SPECIFIED) 一般公差	SCALE — # —	DESIGN UNITS <input checked="" type="checkbox"/> mm <input type="checkbox"/> INCH	MODEL No.	DIMENSIONS: <input type="checkbox"/> mm <input type="checkbox"/> INCH <input checked="" type="checkbox"/> mm ONLY	SHT REV
				L	K	FINISH 仕上げ — // —	10 UNDER 未満 ±0.2	DRAWN BY & DATE M.FUJIKURA '00/12/06	TITLE: 0.5 FPC Conn ZIF Hsg Assy SMT RA Bottom Contact Embstp Pkg			
						WIRE RANGE 適用 線径 範囲 — // —	10 OVER 30 UNDER 以上 未満 ±0.25	CHECKED BY & DATE S.KUNISHI '01/07/26				
						INS. RANGE 被覆 外径 — // —	30 OVER 以上 ±0.3	APPROVED BY & DATE T.YAMAGUCHI '01/07/26	MOLEX INCORPORATED			
							ANGLE 角度 ±3°	CAD FILENAME 54548006.S16	MATERIAL NO. SEE CHART	DRAWING NO. SD-54548-006	SHEET NO. 2 OF 4	

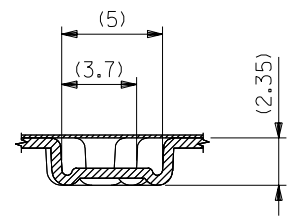
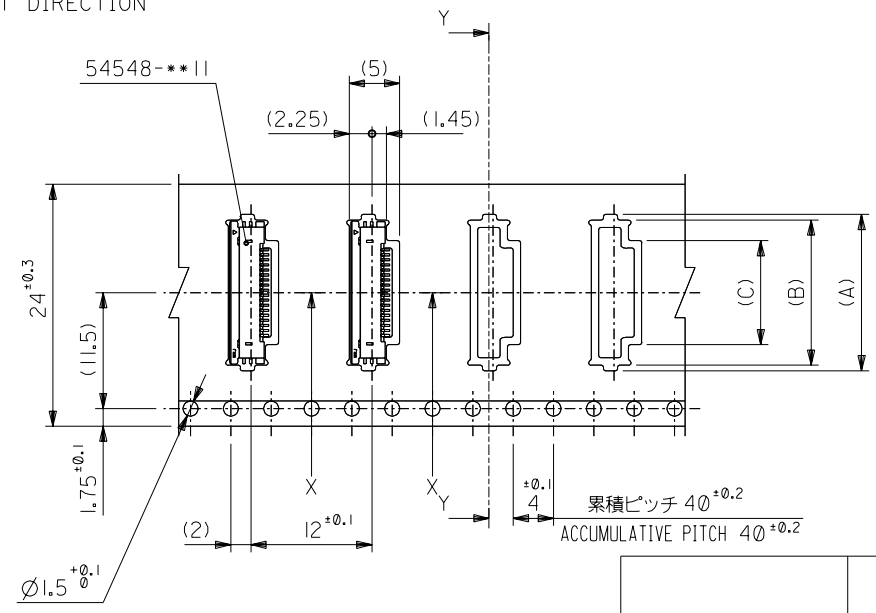
THIS DRAWING CONTAINS INFORMATION THAT IS PROPRIETARY TO MOLEX INCORPORATED AND SHOULD NOT BE USED WITHOUT WRITTEN PERMISSION.

DWG. NO. SD-54548-006

引き出し方向  
PULL OUT DIRECTION



SECT. Y-Y



SECT. X-X

24mm幅キャリアテープ  
24mm WIDTH CARRIER TAPE

24	25.5	12.3	16.4	17.5	54548-2290	22	
		11.8	15.9	17	54548-2190	21	
		11.3	15.4	16.5	54548-2090	20	
		10.3	14.4	15.5	54548-1890	18	
		9.8	13.9	15	54548-1790	17	
		9.3	13.4	14.5	54548-1690	16	
		8.8	12.9	14	54548-1590	15	
		8.3	12.4	13.5	54548-1490	14	
		7.8	11.9	13	54548-1390	13	
		7.3	11.4	12.5	54548-1290	12	
		6.8	10.9	12	54548-1190	11	
		6.3	10.4	11.5	54548-1090	10	
5.8	9.9	11	54548-0990	9			
5.3	9.4	10.5	54548-0890	8			
4.8	8.9	10	54548-0790	7			
キャリアテープ幅 CARRIER TAPE WIDTH		D	(C)	(B)	(A)	製品番号 MATERIAL No.	極数 Ck+

DO NOT SCALE DRAWING

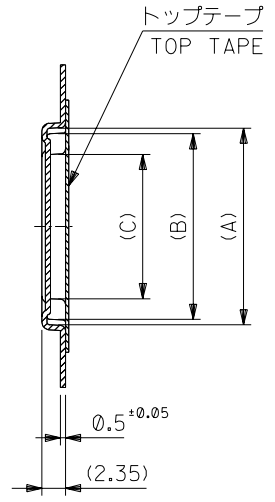
EC NO. DRWN: CHK: APPR:	EC NO. DRWN: CHK: APPR:	EC NO. DRWN: CHK: APPR:	EC NO. DRWN: CHK: APPR:	EC NO. DRWN: CHK: APPR:	SEE SHEET 1 OF 4	EC NO. DRWN: CHK: APPR:	DESCRIPTION	MATERIAL 材料	GENERAL TOLERANCES: (UNLESS SPECIFIED) 一般公差	SCALE	DESIGN UNITS	MODEL No.	DIMENSIONS:	SHT	REV
				L	K		SHEET 1 OF 4 参照 REFER TO SHEET 1 OF 4		10 UNDER 未満 ±0.2	—	mm	THIRD ANGLE PROJECTION	mm		
							FINISH 仕上げ		10 OVER 30 UNDER 未満 ±0.25	—	mm	TITLE:	mm		
							WIRE RANGE 適用 覆線 範囲		30 OVER 以上 ±0.3	—	mm	0.5 FPC Conn ZIF Hsg Assy SMT RA Bottom Contact Embstp Pkg	mm		
							INS. RANGE 被覆 外径		ANGLE 角度 ±3°	—	mm	MOLEX INCORPORATED	mm		
										54548006.S24	mm	MATERIAL NO.	mm		
											mm	DRAWING NO.	mm		
											mm	SEE CHART	mm		
											mm	SD-54548-006	mm		
											mm	SHEET NO.	mm		
											mm	3 OF 4	mm		
											mm		mm		
											mm		mm		

THIS DRAWING CONTAINS INFORMATION THAT IS PROPRIETARY TO MOLEX INCORPORATED AND SHOULD NOT BE USED WITHOUT WRITTEN PERMISSION. SIZE B

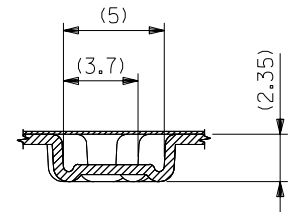
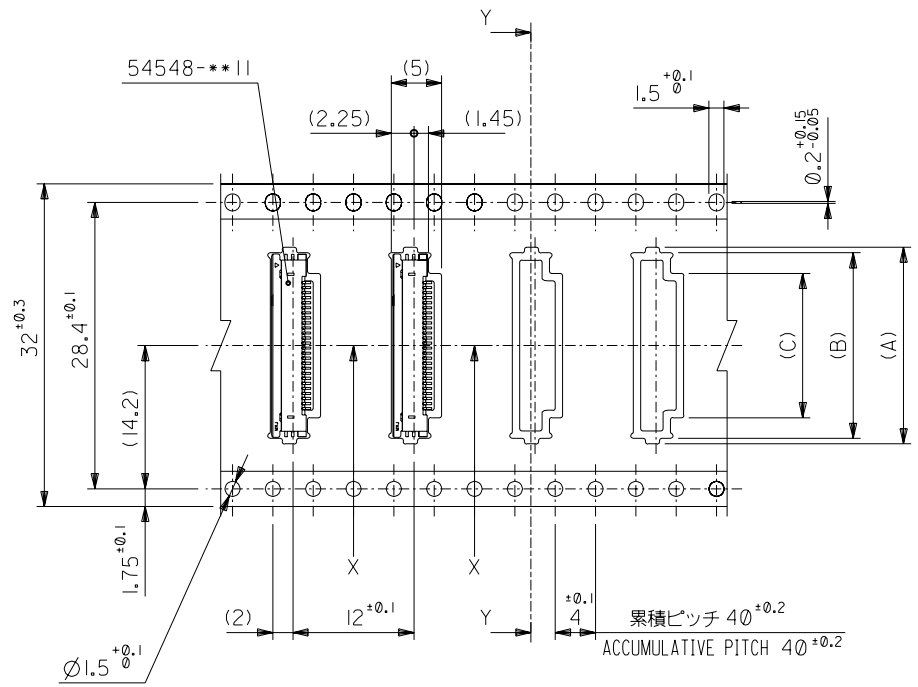
54548006.S24

DWG. NO.  
SD-54548-006

引き出し方向  
PULL OUT DIRECTION



SECT. Y-Y



SECT. X-X

32mm幅キャリアテープ  
32mm WIDTH CARRIER TAPE

32	33.5	14.3	18.4	19.5	54548-2690	26
		13.3	17.4	18.5	54548-2490	24
キャリアテープ幅 CARRIER TAPE WIDTH	D	(C)	(B)	(A)	製品番号 MATERIAL No.	種数 Ck+

DO NOT SCALE DRAWING	EC NO. DRAWN: CHK: APPR:	EC NO. DRAWN: CHK: APPR:	EC NO. DRAWN: CHK: APPR:	EC NO. DRAWN: CHK: APPR:	EC NO. DRAWN: CHK: APPR:	EC NO. DRAWN: CHK: APPR:	SEE SHEET 1 OF 4	DESCRIPTION MATERIAL 材料 SHEET 1 OF 4 参照 REFER TO SHEET 1 OF 4	GENERAL TOLERANCES: (UNLESS SPECIFIED) 一般公差		SCALE	DESIGN UNITS	MODEL No.	DIMENSIONS:		SHT	REV
	10 UNDER 未滿		±0.2	DRAWN BY & DATE N.YANO '99/10/25	THIRD ANGLE PROJECTION				mm	INCH	mm	ONLY		REVISE ON CAD ONLY			
	10 OVER 30 UNDER 以上 未滿		±0.25	CHECKED BY & DATE S.KUNISHI '01/07/26	TITLE: 0.5 FPC Conn ZIF Hsg Assy SMT RA Bottom Contact Embstp Pkg												
	30 OVER 以上		±0.3	APPROVED BY & DATE T.YAMAGUCHI '01/07/26	MOLEX INCORPORATED												
	ANGLE 角度		±3°	CAD FILENAME 54548006.S32	MATERIAL NO. SEE CHART				DRAWING NO. SD-54548-006		SHEET NO. 4 OF 4		SIZE B				

THIS DRAWING CONTAINS INFORMATION THAT IS PROPRIETARY TO MOLEX INCORPORATED AND SHOULD NOT BE USED WITHOUT WRITTEN PERMISSION.