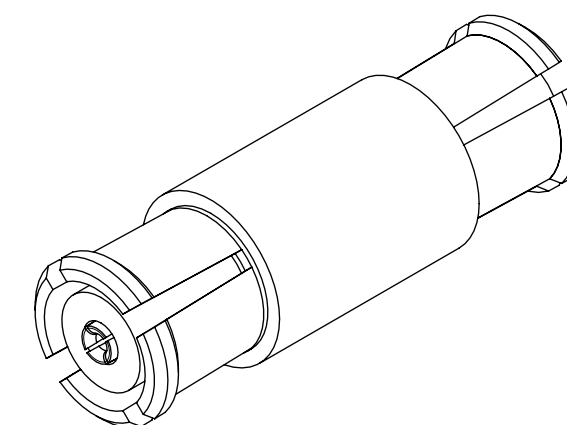


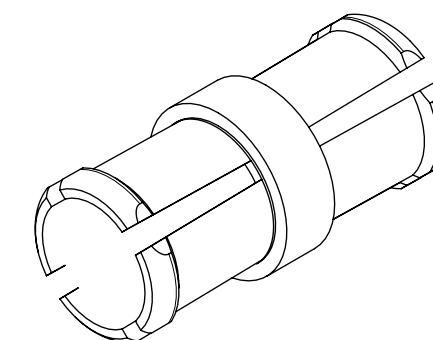
MATERIALS AND FINISHES:

BODY, CONTACT: BERYLLIUM COPPER
PLATING: SEE TABLE

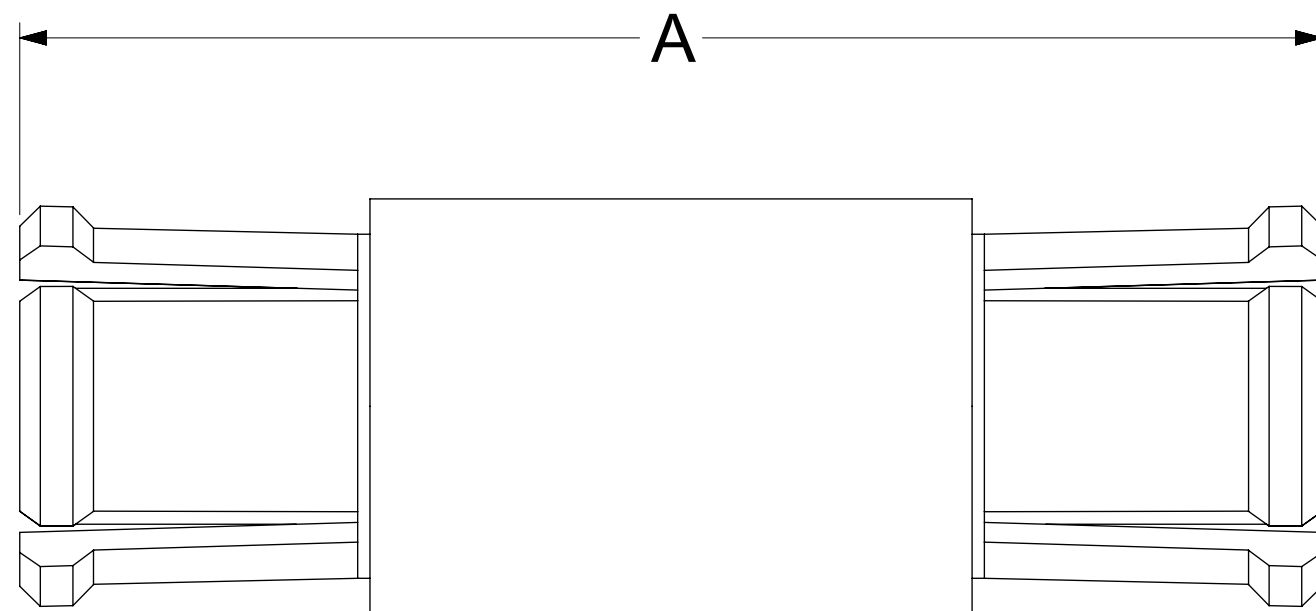
INSULATORS: PTFE



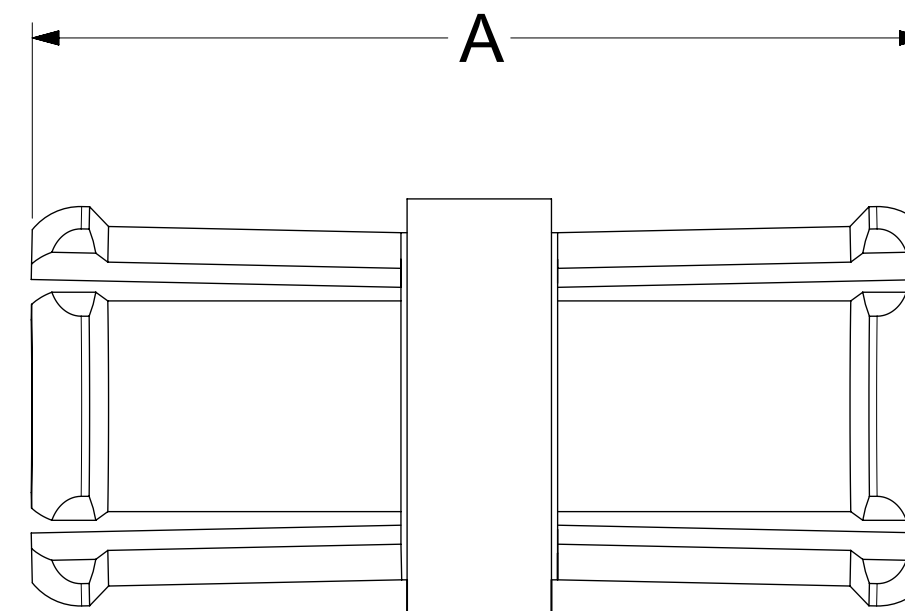
VIEW FOR 73406-6400 THRU -6409 & -6413 THRU -6418



VIEW FOR 73406-6410 THRU -6412 & -6419 & -6420



VIEW FOR 73406-6400 THRU -6409 & -6413 THRU -6418



VIEW FOR 73406-6410 THRU -6412 & -6419 & -6420

73406-6420	.414±.002	10.52±0.05	GOLD (30μ-in MIN) OVER NICKEL (100μ-in MIN)	73406-6411 ONE PER BAG	895420470	73406-6420	
73406-6419	.291±.002	7.39±0.05		73406-6410 ONE PER BAG		73406-6419	
73406-6418	.806±.002	20.47±0.05		73406-6406 ONE PER BAG		73406-6418	
73406-6417	.474±.002	12.04±0.05		73406-6405 ONE PER BAG		73406-6417	
73406-6416	.882±.002	22.40±0.05	GOLD (10μ-in MIN) OVER NICKEL (100μ-in MIN)	73406-6404 ONE PER BAG	895420490	73406-6416	
73406-6415	.449±.002	11.40±0.05		73406-6403 ONE PER BAG		73406-6415	
73406-6414	.606±.002	15.40±0.05	GOLD (30μ-in MIN) OVER NICKEL (100μ-in MIN)	73406-6402 ONE PER BAG	895420040	73406-6414	
73406-6413	.425±.002	10.77±0.05		73406-6400 ONE PER BAG		73406-6413	
73406-6412	1.051±.002	26.70±0.05		73406-6412 TRAY		PK-89542-006	73406-6412
73406-6411	.414±.002	10.52±0.05		73406-6411 TRAY		895420490	73406-6411
73406-6410	.291±.002	7.39±0.05	GOLD (10μ-in MIN) OVER NICKEL (100μ-in MIN)	73406-6410 TRAY	895420048	73406-6410	
73406-6409	.497±.002	12.63±0.05		73406-6409 TRAY		895420040	73406-6409
73406-6408	1.033±.002	26.25±0.05		73406-6408 TRAY		PK-89542-006	73406-6408
73406-6407	1.001±.002	25.43±0.05		73406-6407 TRAY			73406-6407
73406-6406	.806±.002	20.47±0.05	GOLD (30μ-in MIN) OVER NICKEL (100μ-in MIN)	73406-6406 TRAY	895420040	73406-6406	
73406-6405	.474±.002	12.04±0.05		73406-6405 TRAY		895420040	73406-6405
73406-6404	.882±.002	22.40±0.05		73406-6404 TRAY		PK-89542-006	73406-6404
73406-6403	.449±.002	11.40±0.05		73406-6403 TRAY		895420040	73406-6403
73406-6402	.606±.002	15.40±0.05	73406-6402 TRAY	73406-6402			
73406-6401	.488±.002	12.40±0.05	73406-6401 TRAY	73406-6401			
73406-6400	.425±.002	10.77±0.05	73406-6400 TRAY	73406-6400 TRAY	73406-6400		

LABEL FORMAT FOR 73406-6415
PART NUMBER: 73406-6403
ORDER NUMBER: 73406-6415
MOLEX
DATE: YYWW

LABEL FORMAT FOR 73406-6418
PART NUMBER: 73406-6406
ORDER NUMBER: 73406-6418
MOLEX
DATE: YYWW

LABEL FORMAT FOR 73406-6414
PART NUMBER: 73406-6402
ORDER NUMBER: 73406-6414
MOLEX
DATE: YYWW

LABEL FORMAT FOR 73406-6417
PART NUMBER: 73406-6405
ORDER NUMBER: 73406-6417
MOLEX
DATE: YYWW

LABEL FORMAT FOR 73406-6420
PART NUMBER: 73406-6411
ORDER NUMBER: 73406-6420
MOLEX
DATE: YYWW

LABEL FORMAT FOR 73406-6413
PART NUMBER: 73406-6400
ORDER NUMBER: 73406-6413
MOLEX
DATE: YYWW

LABEL FORMAT FOR 73406-6416
PART NUMBER: 73406-6404
ORDER NUMBER: 73406-6416
MOLEX
DATE: YYWW

LABEL FORMAT FOR 73406-6419
PART NUMBER: 73406-6410
ORDER NUMBER: 73406-6419
MOLEX
DATE: YYWW

THIS DRAWING CONTAINS INFORMATION THAT IS PROPRIETARY TO MOLEX ELECTRONIC TECHNOLOGIES, LLC AND SHOULD NOT BE USED WITHOUT WRITTEN PERMISSION

DIMENSION UNITS INCH/MM	SCALE NTS	CURRENT REV DESC: CORRECT TYPO	molex		
GENERAL TOLERANCES (UNLESS SPECIFIED)					
	MM	INCH	SMP JACK TO JACK ADAPTER 50 OHMS, SMP-J/J/ADP, EWR-12858		
4 PLACES	±	±	PRODUCT CUSTOMER DRAWING		
3 PLACES	±	± 0.005	DOCUMENT NUMBER		
2 PLACES	± 0.13	± 0.01	DOC TYPE DOC PART REVISION		
1 PLACE	± 0.25	±	SD-73406-640 PSD 001 A12		
0 PLACES	±	±	MATERIAL NUMBER CUSTOMER SHEET NUMBER		
ANGULAR TOL	± 2.0°		SEE TABLE 1 OF 1		
DRAFT WHERE APPLICABLE MUST REMAIN WITHIN DIMENSIONS		THIRD ANGLE PROJECTION	DRAWING C-SIZE	SERIES 73406	

PS-89675-3320		PRODUCT SPECIFICATION	
MIL-STD-348B, FIG. 326.1		INTERFACE	
SPECIFICATION		DESCRIPTION	
DOCUMENT STATUS	P1	RELEASE DATE	2022/10/19 06:36:56