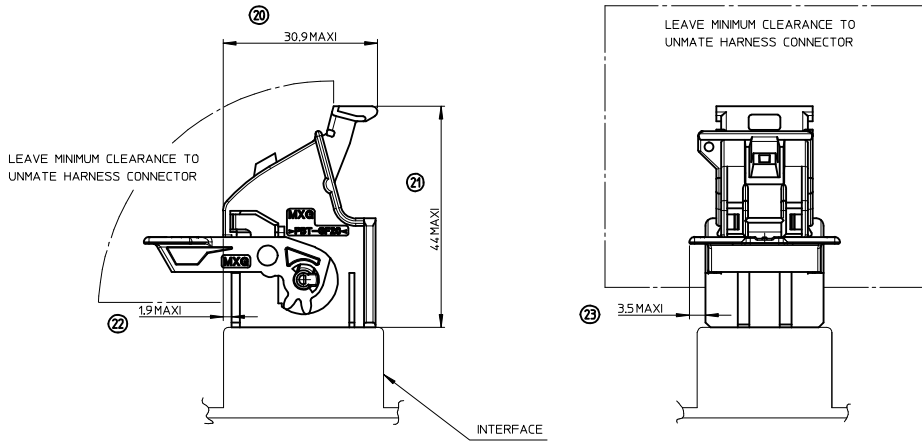
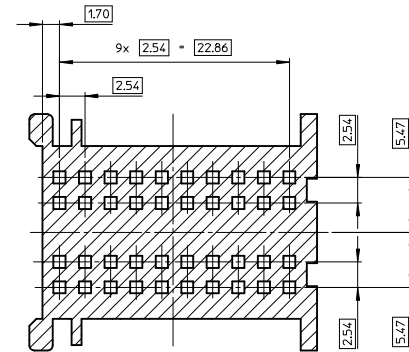


MOLEX P/N 0989821021 BLACK MOLEX P/N 0989821028 GREY MOLEX P/N 0989821020 WHITE MOLEX P/N 0989821026 BLUE

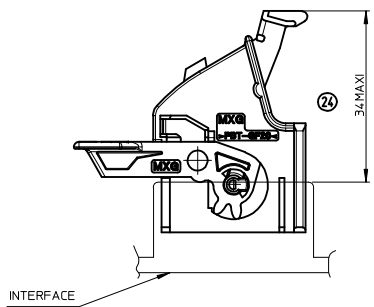
CLEARANCE FOR CONNECTOR MATE AND UNMATE 2:1



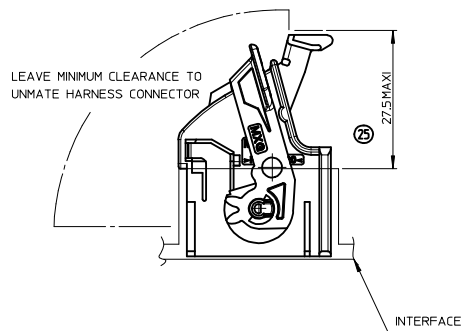
CAVITY LOCATION 4:1



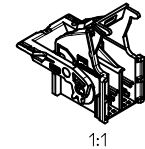
TRAVEL TO ELECTRIC CONTACT 2:1



CONNECTOR FULLY MATED 2:1

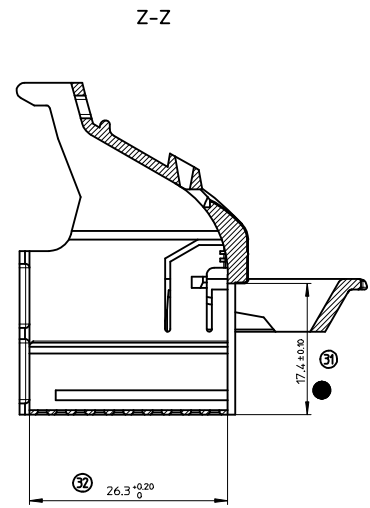
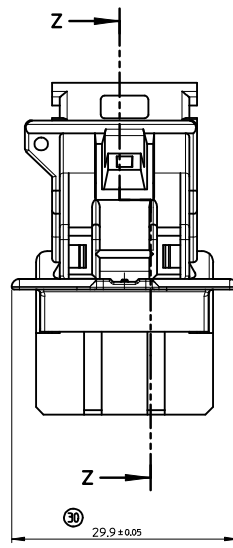
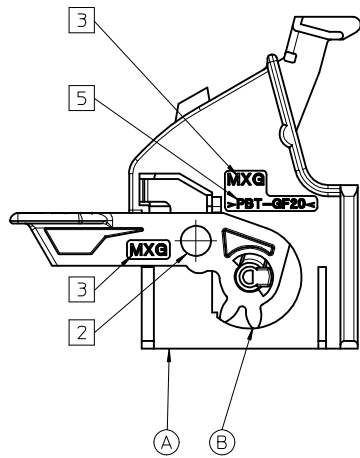
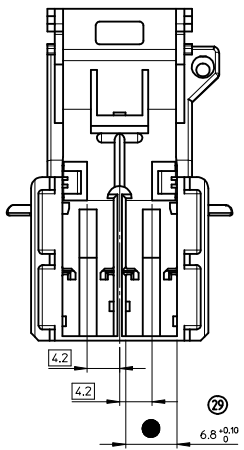
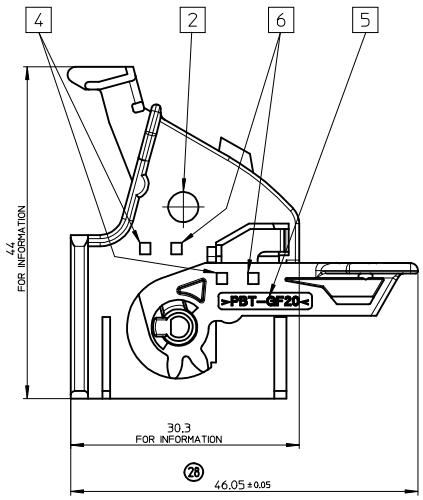
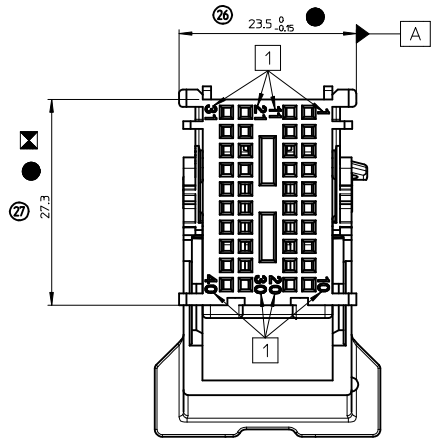


INDICATION DIMENSIONS S.P.C DENOTES 'S.P.C DIMENSIONS'	INDICATION DIMENSIONS CRITIQUES DENOTES 'CRITICAL DIMENSIONS'	INDICATION DIMENSIONS FONCTIONNELLES DENOTES 'FUNCTIONAL DIMENSIONS'
QUANTITE PAR FEUILLE INDIVIDUELLE	QUANTITY PER INDIVIDUAL SHEET	
0	0	15



FIRST RELEASE EC NO: GZ008-0096 DRAWN: POUCHAUD 2007/10/15 CHECKED: YIGEL 2007/10/15 APPR: LSTICKEIR 2007/10/15	QUALITY SYMBOLS $\nabla=0$ $\nabla=0$	GENERAL TOLERANCES (UNLESS SPECIFIED) mm INCH 4 PLACES \pm --- \pm --- 3 PLACES \pm --- \pm --- 2 PLACES \pm 0.05 \pm --- 1 PLACE \pm 0.10 \pm --- ANGULAR \pm 2°	DIMENSION STYLE MM ONLY	SCALE 3:1 DESIGN UNITS METRIC	THIRD ANGLE PROJECTION
			DRAWN BY LPOUCHAUD DATE 2007/09/05	TITLE MOX MOUNT HSG RCPT CONN 40CKT	
			CHECKED BY YIGEL DATE 2007/09/05	APPROVED BY LSTICKEIR DATE 2007/09/10	
			MATERIAL NO. SEE CHART	DOCUMENT NO. SD-98982-002	
DRAFT WHERE APPLICABLE MUST REMAIN WITHIN DIMENSIONS		THIS DRAWING CONTAINS INFORMATION THAT IS PROPRIETARY TO MOLEX INCORPORATED AND SHOULD NOT BE USED WITHOUT WRITTEN PERMISSION			
		SHEET NO. 1 OF 2			

⊠	INDICATION DIMENSIONS S.P.C DENOTES S.P.C DIMENSIONS
⊗	INDICATION DIMENSIONS CRITIQUES DENOTES CRITICAL DIMENSIONS
●	INDICATION DIMENSIONS FONCTIONNELLES DENOTES FUNCTIONAL DIMENSIONS
QUANTITE PAR FEUILLE INDIVIDUELLE QUANTITY PER INDIVIDUAL SHEET	
⊠ 1	⊗ 0
● 4	



MARKINGS	NOTES :
1 - CAVITY NUMBER	- FOR ILLUSTRATION PURPOSE, THE MOX HOUSING SHOWN IS THE BLACK CODING P/N 0989821021. FOR OTHER COLOR VERSION, SEE CODING CHART.
2 - DATUM MONTH/YEAR	- PRODUCT QUALIFIED ACCORDING TO PSA NORM: 9629764699A.
3 - MOLEX MARK	- APPLICATION SPECIFICATION: RAS-98982-001.
4 - IMPRESSION MARK	- INTERFACE DRAWING IS THE PROPERTY FROM PSA: 9633297199
5 - RAW MATERIAL	- IN THE MOX HOUSING RECEPTACLE CONNECTOR, MOUNT JUST MOLEX MODULE 0989821010 AND 0989821016.
6 - REVISION LEVEL	

FIRST RELEASE EC NO: GZ008-0096 DRAWN BY: LPOUCHAUD CHKD BY: YIGEL APPROVAL: LSTICKEIR	REV	DESCRIPTION	QUALITY SYMBOLS	GENERAL TOLERANCES (UNLESS SPECIFIED)	DIMENSION STYLE	SCALE	DESIGN UNITS	THIRD ANGLE PROJECTION
	A	2007/10/15	2007/10/15	2007/10/15	MM ONLY	3:1	METRIC	☐
				4 PLACES ± --- ± ---	DRAWN BY	DATE	TITLE	
				3 PLACES ± --- ± ---	LPOUCHAUD	2007/09/05	MOX MOUNT HSG RCPT CONN 40CKT	
				2 PLACES ± 0.05 ± ---	CHECKED BY	DATE		
				1 PLACE ± 0.10 ± ---	YIGEL	2007/09/05		
				ANGULAR ± 2 °	APPROVED BY	DATE		
					LSTICKEIR	2007/09/10		
				DRAFT WHERE APPLICABLE MUST REMAIN WITHIN DIMENSIONS	MATERIAL NO.	DOCUMENT NO.		SHEET NO.
					SEE CHART	SD-98982-002		2 OF 2
					THIS DRAWING CONTAINS INFORMATION THAT IS PROPRIETARY TO MOLEX INCORPORATED AND SHOULD NOT BE USED WITHOUT WRITTEN PERMISSION			