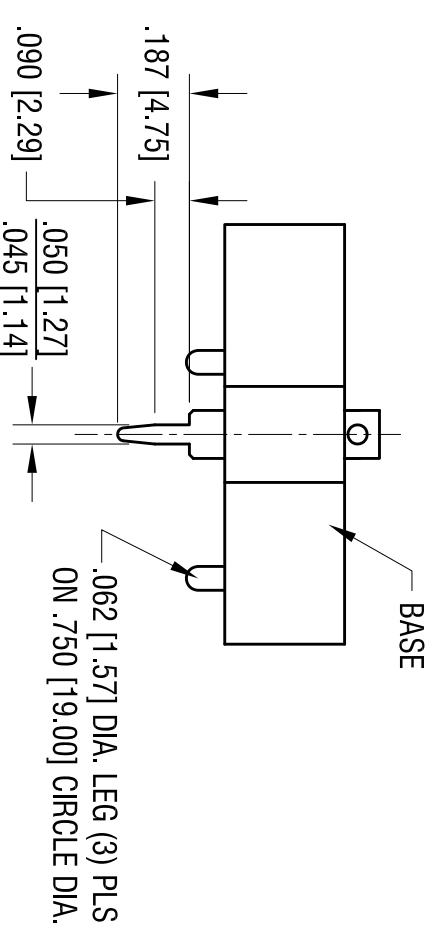
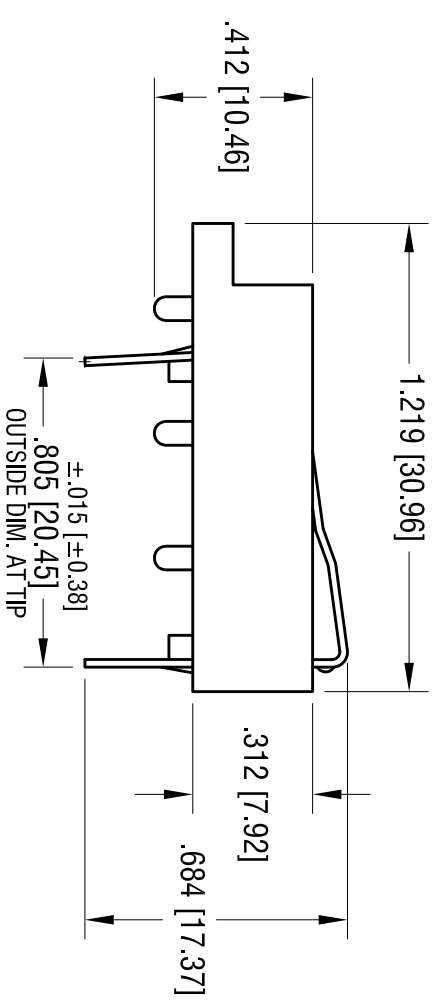
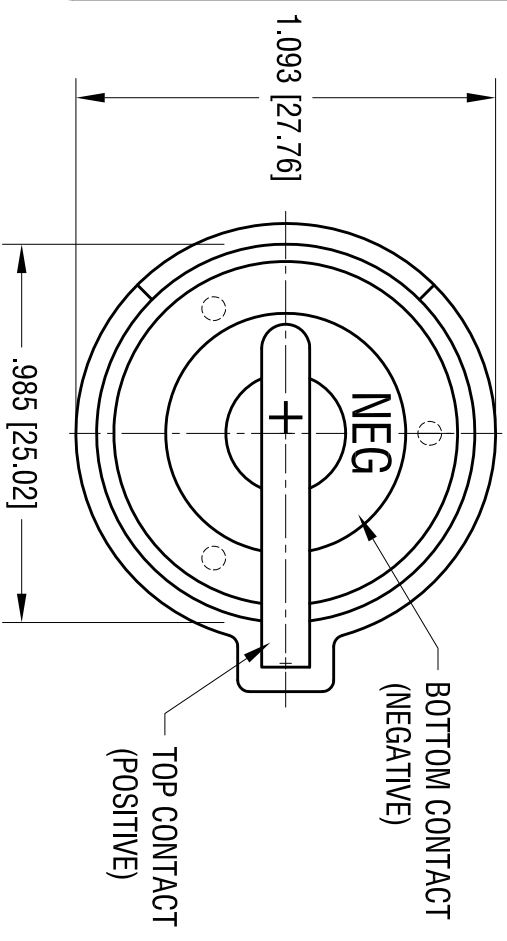
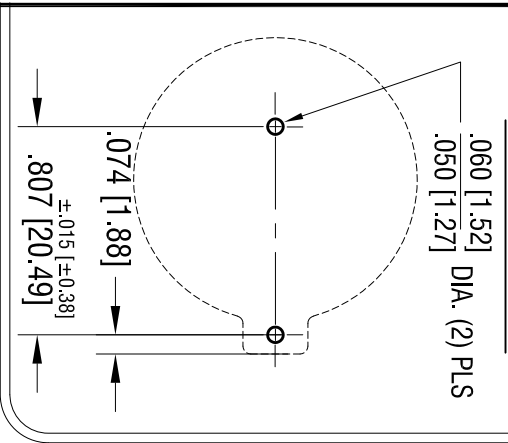


MOUNTING HOLES



DATE	DESCRIPTION	REV.
9.20.04	CHANGE AS PER ECN 04-118	B
2.27.12	CHANGE AS PER ECN 12-025	C
1.29.21	CHANGE AS PER ECN 21-009	D

KEYSTONE ELECTRONICS CORP.

www.keystone.com • NEW HYDE PARK, NY 11040 • Tel (516) 328-7500

PART NAME

COIN CELL PC BATTERY HOLDER

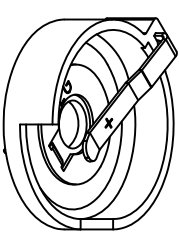
MATERIAL

AS NOTED

FINISH

AS NOTED

ACTUAL SIZE



TOLERANCES INCH [MM]

DECIMAL ± .010 [± 0.25]

ANGULAR ± 1°

UNLESS OTHERWISE SPECIFIED

CODE

C

DWG NO.

1025-7

DRN BY

BOONE

DATE

7.13.93

APP'D

LN

SCALE

2X

NOTES:

1. BASE: MAT'L - PBT (UL 94V-0), COLOR BLACK
2. CONTACTS (TOP AND BOTTOM): MAT'L - .020 [0.50] THK SPRING STEEL
FINISH: TIN NICKEL PLATE

THIS DOCUMENT IS THE PROPERTY OF KEYSTONE ELECTRONICS CORP. AND SHALL NOT BE REPRODUCED, DISTRIBUTED OR USED AS A BASIS FOR MANUFACTURE WITHOUT PRIOR WRITTEN PERMISSION FROM KEYSTONE ELECTRONICS CORP.