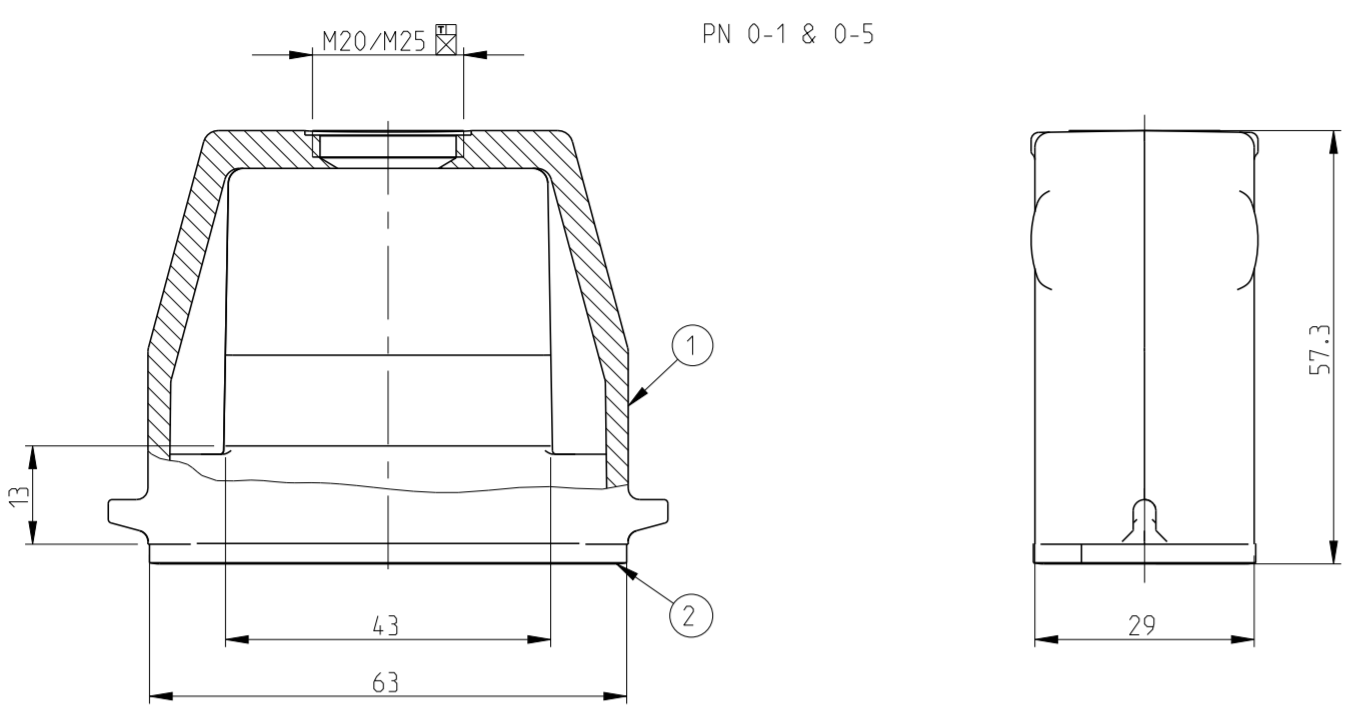
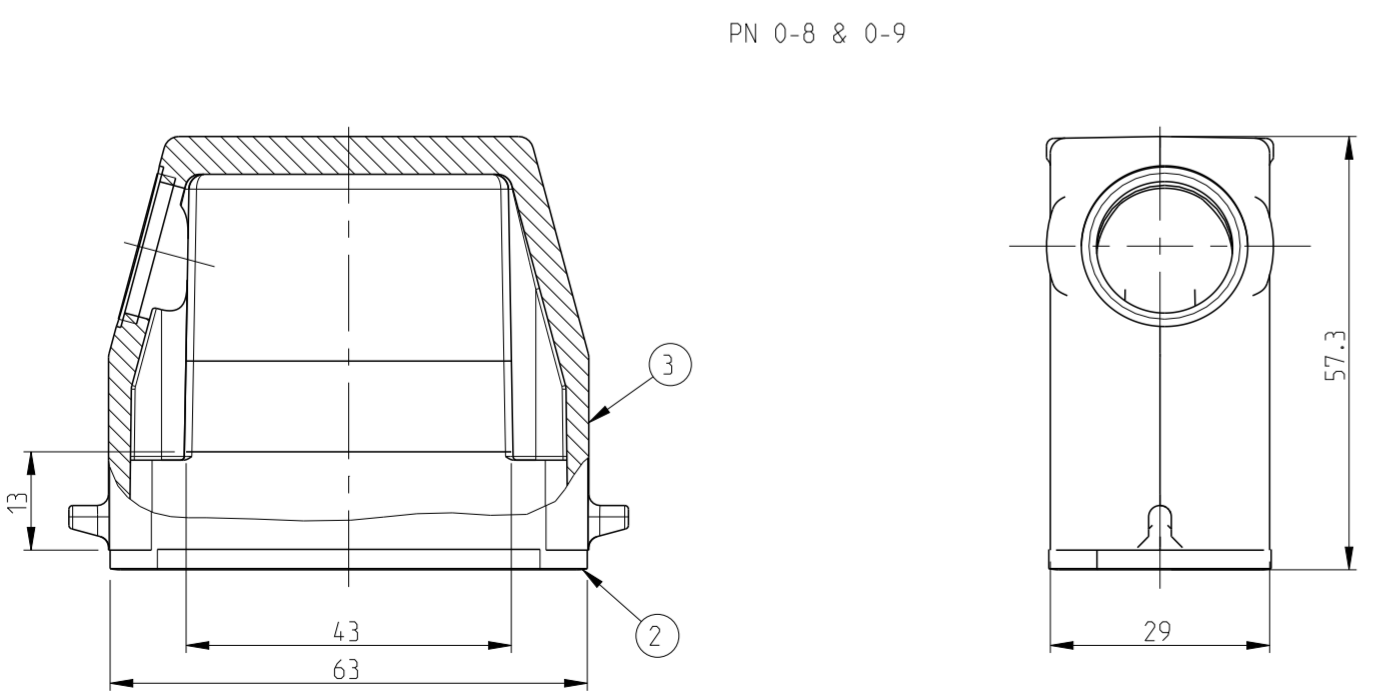
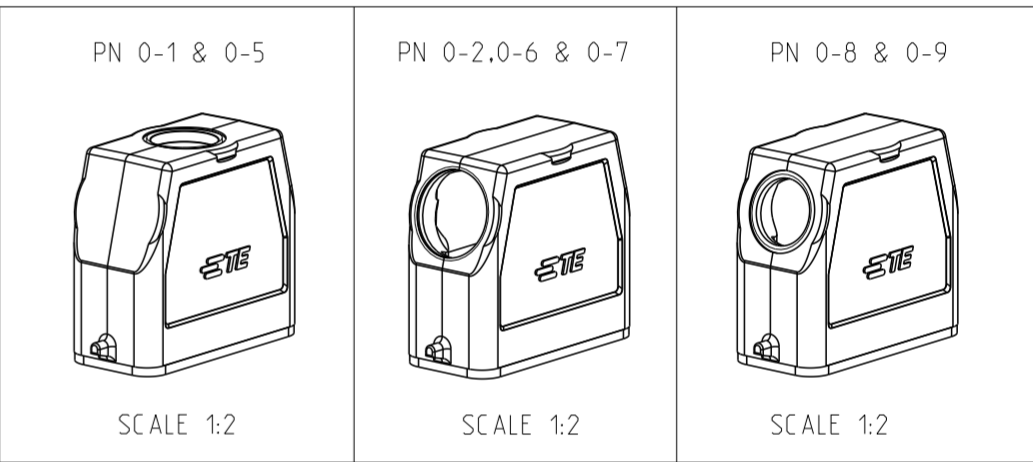
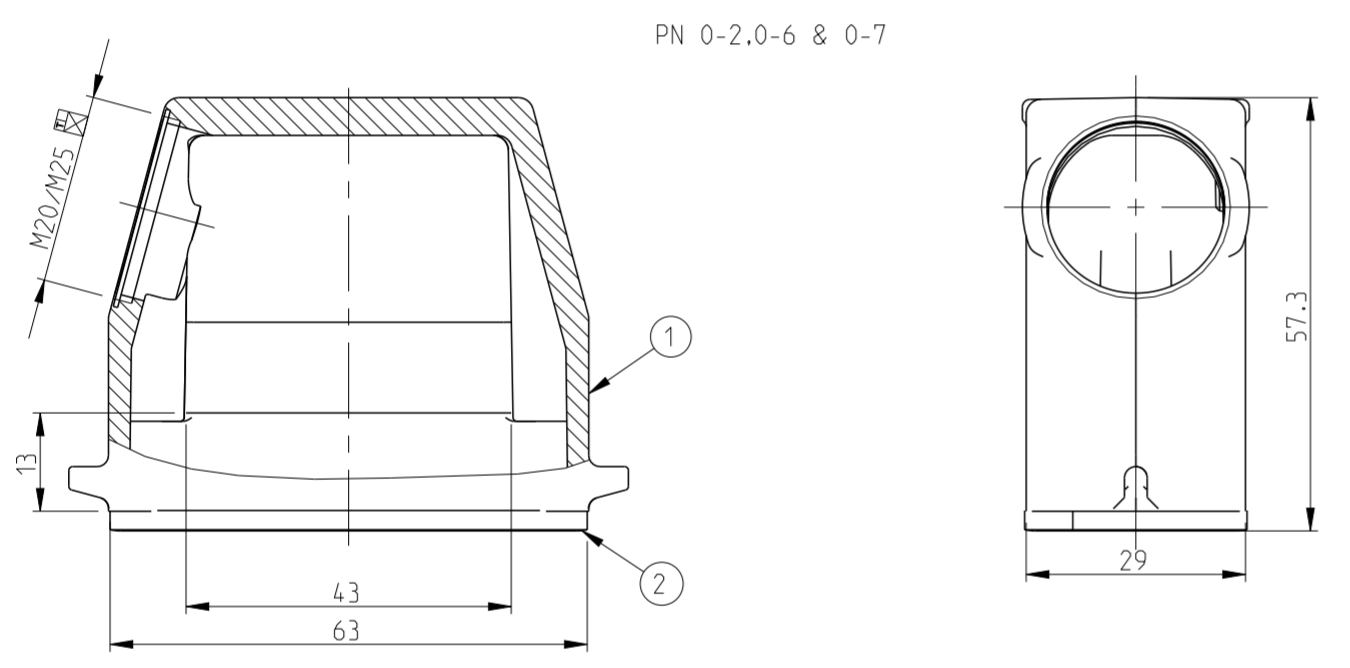


THIS DRAWING IS UNPUBLISHED. RELEASED FOR PUBLICATION .2000  
 © COPYRIGHT 2000 BY - ALL RIGHTS RESERVED.

REVISIONS					
P	LTR	DESCRIPTION	DATE	DWN	APVD
D2		Released as per ECR-08-019097	30Jul2008	SP	TS
D3		ECR-16-016696	15SEP2017	GA	MKO
D4		REVISED PER ECR-17-014013	12FEB2018	SRG	MKO
D5		ECR-21-123564	02AUG2022	RK	JB



- NOTES.
- Material:Housing:Aluminium Diecasting Alloy  
Seals:Neoprene
  - Surface:Varnish grey
  - Varnish on the inside not necessary
  - Packaging  
Quantity 5 Pieces in a box
- ⚠ Special Packaging



OBSOLETE	OBSOLETE	OBSOLETE	OBSOLETE											
1	1							Hood		Chromital TCP passivation	Black RAL 9005	3		
		1		1	1	1	1	Profile seal	Neoprene		Black	2		
			1	1	1	1	1	Hood	Aluminium		Grey RAL 7001	1		
	0-9	0-8	0-6	0-5	0-7	0-2	0-1	DESCRIPTION	MATERIAL	SURFACE	COLOR	ITEM NO	REMARKS	
	ORDERING TEXT													
	HA.10.ST0.1.M20.G													
	HA.10.STS.1.M20.G													
	HA.10.STS.1.M20.G-KM													
	HA.10.ST0.1.M25.G													
	HA.10.STS.1.M25.G													
	HA-EMV.10.STS.1.M20.G													
	HA-EMV.10.STS.1.M25.G													

THIS DRAWING IS A CONTROLLED DOCUMENT.

DWN	R.SRINIVAS	03.03.2006
CHK	R.SRINIVAS	03.03.2006
APVD	T.SCHNURPEIL	03.03.2006

NAME: Hood  
HA.10.ST0/STS.1.M20.G

SIZE: A2    CAGE CODE: 00779    DRAWING NO: 1106411

SCALE: 1:1    SHEET: 1 OF 1    REV: 05

CUSTOMER DRAWING