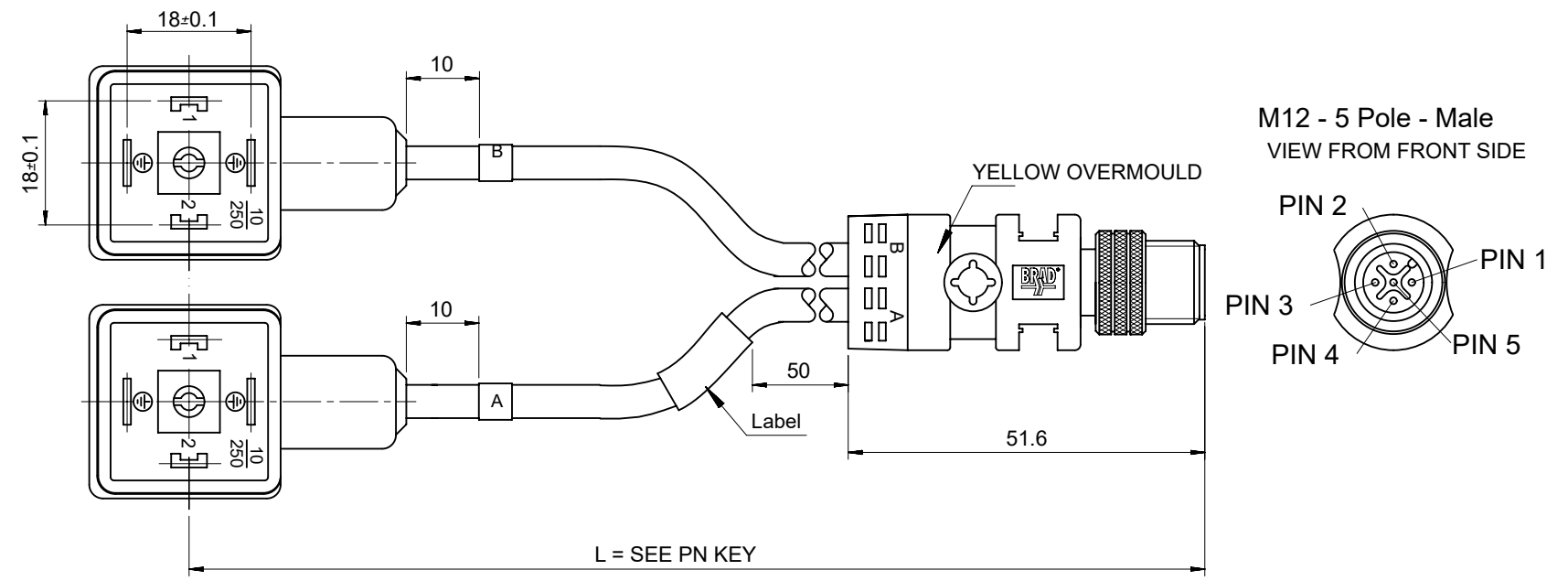
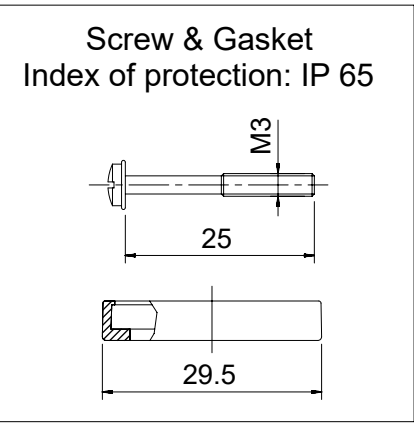
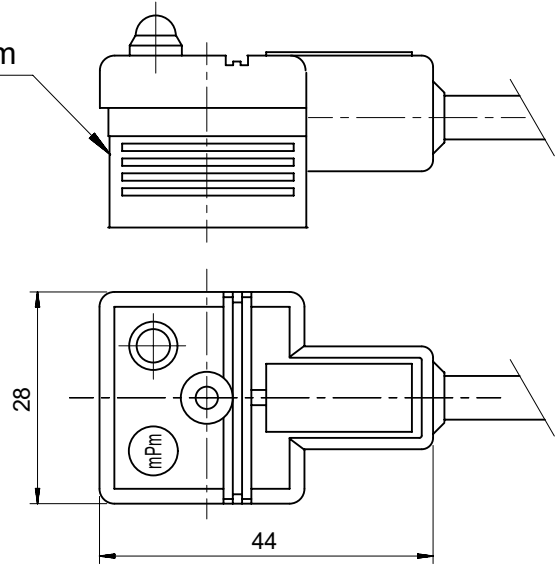


Table of length tolerances

Over	Up to and including	Tolerance (+)
0	305	+19
305	915	+45
915	1830	+56
1830	3660	+89
3660	7320	+165
7320	14640	+317
14640	30500	+610
30500	>	+2% of length



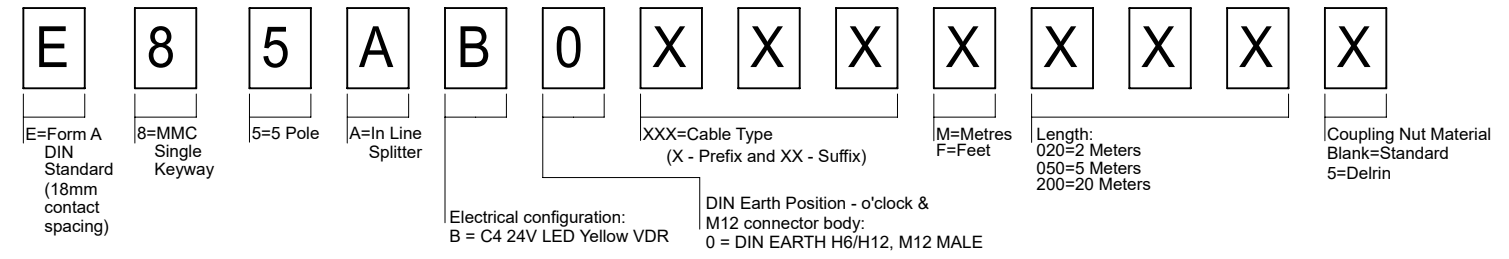
Electrical diagram printed in white



PN's List

Engineering number	SAP Part Number	Cable Length [mm]	Cable type
E85AB0P12M006	1210360377	600	PUR Black 0.5mm ²
E85AB0P12M020	1210360533	2000	PUR Black 0.5mm ²
E85AB0P12M010	1210360577	1000	PUR Black 0.5mm ²
E85AB0E12M006	1210360598	600	PVC Black 0.5mm ²
E85AB0E12M0155	1210360599	1500	PVC Black 0.5mm ²
E85AB0P12M0201	1210360681	2000	PUR Black 0.5mm ²
E85AB0E12M010	1210360700	1000	PVC Black 0.5mm ²
E85AB0A58M010	1210360750	1000	PVC Black 20AWG
E85AB0E12M030	1210360838	3000	PVC Black 0.5mm ²

PART No MATRIX - PN KEY



Notes:
1. Dimensions without tolerance are referential.

THIS DRAWING CONTAINS INFORMATION THAT IS PROPRIETARY TO MOLEX ELECTRONIC TECHNOLOGIES, LLC AND SHOULD NOT BE USED WITHOUT WRITTEN PERMISSION

DIMENSION UNITS: mm	SCALE: NTS	CURRENT REV DESC: OBSOLETE PART NUMBERS	molex		
GENERAL TOLERANCES (UNLESS SPECIFIED)					
4 PLACES ±			PRODUCT CUSTOMER DRAWING		
3 PLACES ±			DOCUMENT NUMBER: SD-121036-013		
2 PLACES ±			DOC TYPE: PSD		
1 PLACE ±			DOC PART: 001		
0 PLACES ±			REVISION: B		
ANGULAR TOL ± °			SHEET NUMBER: 1 OF 1		
DRAFT WHERE APPLICABLE MUST REMAIN WITHIN DIMENSIONS			THIRD ANGLE PROJECTION	DRAWING: A3-SIZE	SERIES: 121036
MATERIAL NUMBER: SEE TABLE			CUSTOMER: GENERAL MARKET		