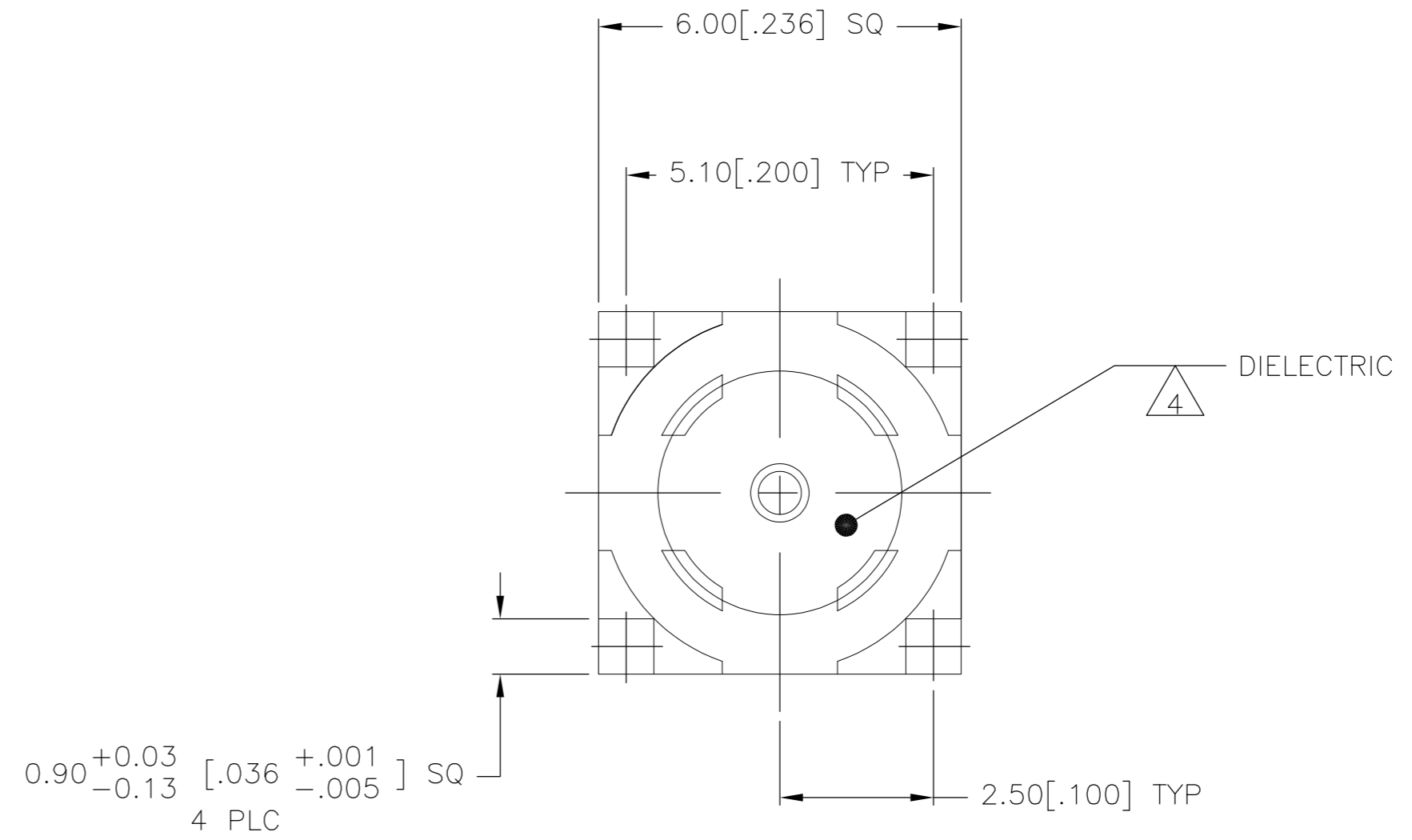
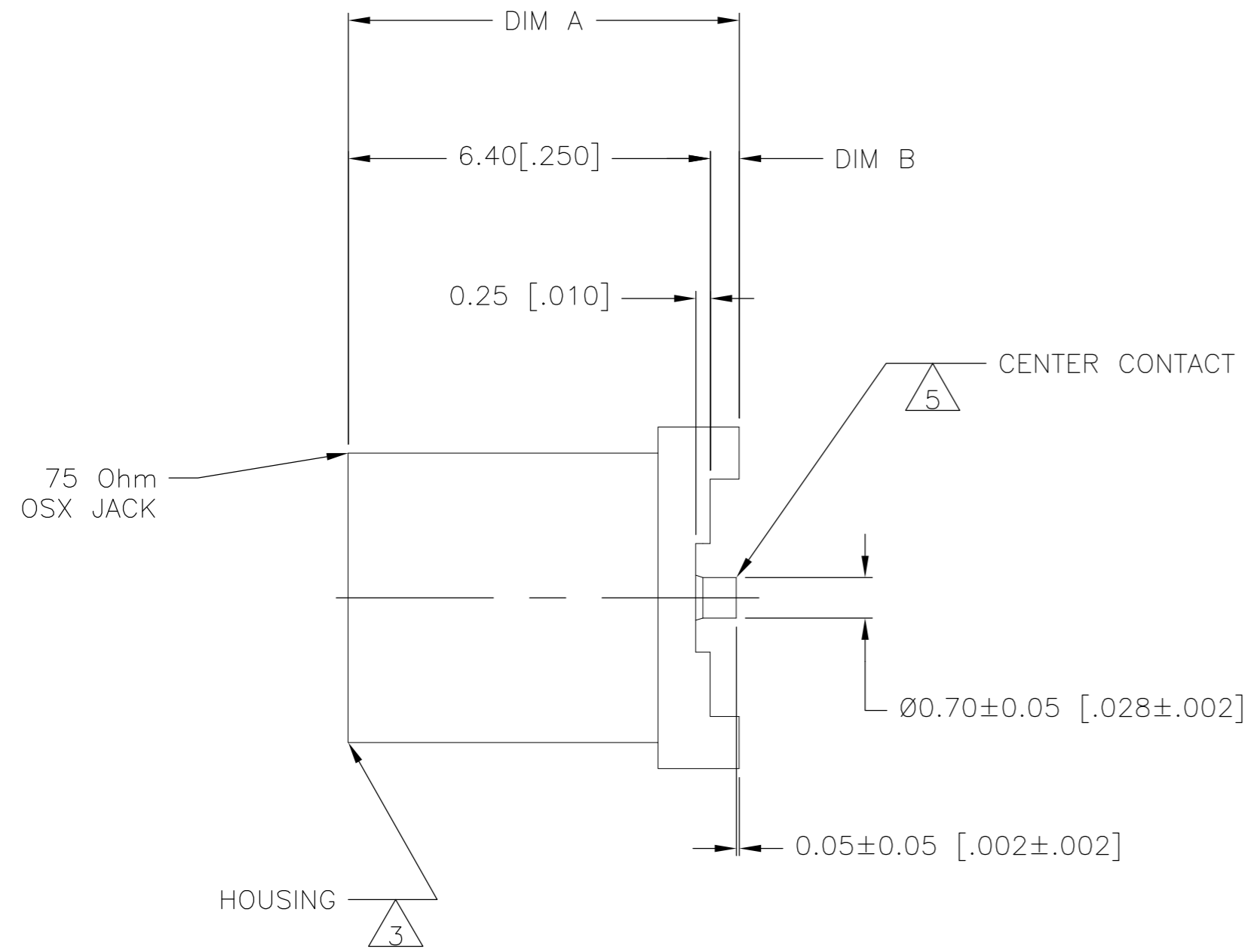


THIS DRAWING IS UNPUBLISHED. RELEASED FOR PUBLICATION  
 © COPYRIGHT - By - ALL RIGHTS RESERVED.

LOC		DIST		REVISIONS			
P	LTR	DESCRIPTION		DATE	DWN	APVD	
		C1	ECR-12-005726	27MAR12	RK	MY	



- 1 GOLD PLATE PER ASTM B 488
- 2 BRIGHT NICKEL PLATE PER QQ-N-290
- 3 BRASS PER ASTM B 16
- 4 PTFE PER ASTM D 1710
- 5 BERYLLIUM COPPER PER ASTM B 197

OBSOLETE	3.80 [.155]	10.2 [.405]	1	2	1361169-2
	0.50 [.020]	6.90 [.270]	1	2	1361169-1
	DIM B	DIM A	CONTACT	HOUSING	PART NUMBER
FINISH					

THIS DRAWING IS A CONTROLLED DOCUMENT.		DWN RMF 10-11-00																		
DIMENSIONS: mm [INCHES]		CHK RMF 10-11-00																		
TOLERANCES UNLESS OTHERWISE SPECIFIED:		APVD RMF 10-11-00																		
<table border="1"> <tr><td>0 PLC</td><td>±</td><td>-</td></tr> <tr><td>1 PLC</td><td>±</td><td>-</td></tr> <tr><td>2 PLC</td><td>±</td><td>0.20 [.008]</td></tr> <tr><td>3 PLC</td><td>±</td><td>-</td></tr> <tr><td>4 PLC</td><td>±</td><td>-</td></tr> <tr><td>ANGLES</td><td>±</td><td>-</td></tr> </table>		0 PLC				±	-	1 PLC	±	-	2 PLC	±	0.20 [.008]	3 PLC	±	-	4 PLC	±	-	ANGLES
0 PLC	±	-																		
1 PLC	±	-																		
2 PLC	±	0.20 [.008]																		
3 PLC	±	-																		
4 PLC	±	-																		
ANGLES	±	-																		
MATERIAL	FINISH	APPLICATION SPEC	NAME																	
-	-	WEIGHT	MCX 75 Ohm PRINTED CIRCUIT BOARD RECEPTACLE																	
CUSTOMER DRAWING		SCALE 10:1	SHEET 1 of 1	REV C1	RESTRICTED TO															