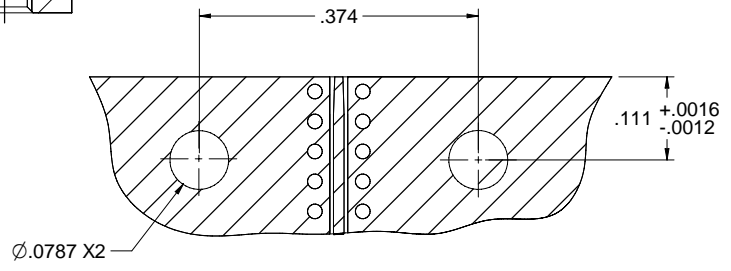
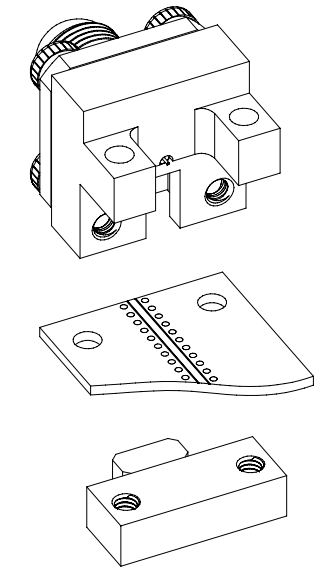
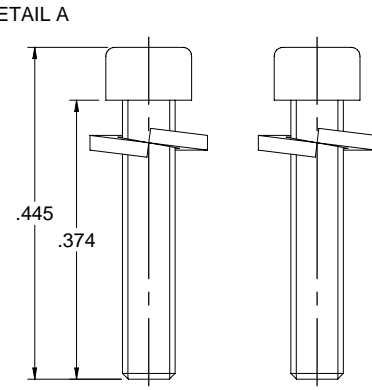
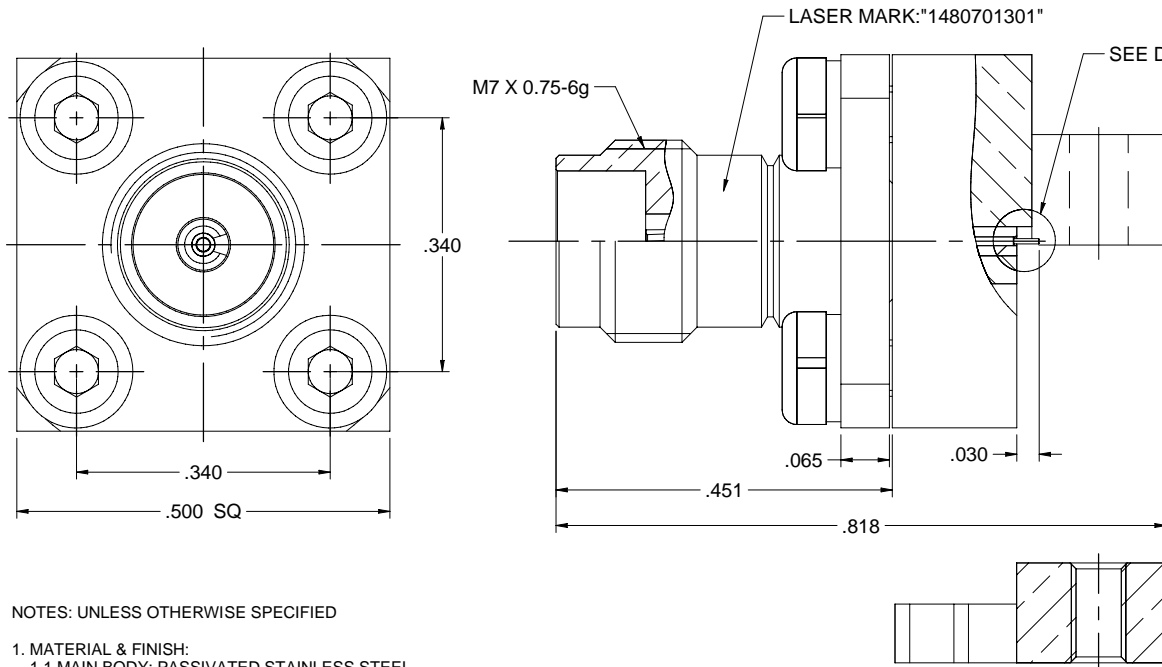
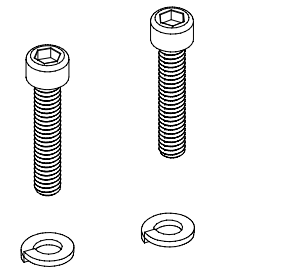
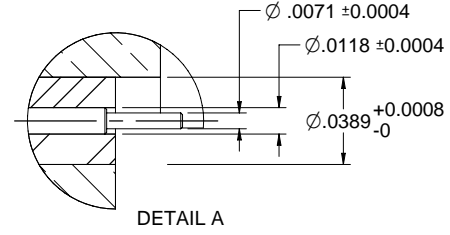


MODEL NO.	PACKAGING
148-0701-301	ONE PCS PER BAG

REV	ECO	DATE
001	ECO-17-003	12/18/2017
002	ECO-18-003	08/21/2018
003	ECO-19-003	07/10/2019



PCB LAYOUT

NOTES: UNLESS OTHERWISE SPECIFIED

- 1. MATERIAL & FINISH:
 - 1.1 MAIN BODY: PASSIVATED STAINLESS STEEL
 - 1.2 MOUNTING BODY: NICKEL PLATED BRASS
 - 1.3 CONTACT PIN : GOLD PLATED BERYLLIUM COPPER
 - 1.4 MAIN INSULATOR: ULTEM 1000 AMBER
 - 1.5 MOUNTING INSULATOR: PTFE WHITE
 - 1.6 BOLT & WASHER: STAINLESS STEEL
- 2. ELECTRICAL:
 - 2.1 IMPEDANCE: 50 OHMS
 - 2.2 FREQUENCY RANGE: DC-67 GHz
 - 2.3 VOLTAGE STANDING WAVE RATIO: 1.2 MAX
 - 2.4 CONTACT RESISTANCE:
 - 2.4.1 CENTER CONTACT: 6 MILLIOHM MAX
 - 2.4.2 OUTER CONTACT: 2.5 MILLIOHM MAX
 - 2.5 INSULATION RESISTANCE: 5000 MOHM MIN
 - 2.6 DIELECTRIC WITHSTANDING VOLTAGE: 500 VRMS
- 3. MECHANICAL:
 - 3.1 ENGAGEMENT/DISENGAGEMENT FORCE: 0.23 NM MAX
 - 3.2 CONTACT RETENTION: 20N MIN
 - 3.3 DURABILITY: 500 CYCLES MIN
 - 3.4 BOARD THICKNESS: 0 - 0.11 INCH
- 4. ENVIRONMENT:
 - 4.1 THERMAL SHOCK: MIL-STD-202, METHOD 107, CONDITION B.
 - 4.2 OPERATING TEMPERATURE: -65 TO 165°C
 - 4.3 SHOCK: MIL-STD-202, METHOD 213, CONDITION I
 - 4.4 VIBRATION: MIL-STD-202, METHOD 204, CONDITION D
 - 4.5 MOISTURE RESISTANCE: MIL-STD-202, METHOD 106

	Model No.	148-0701-301/310	Manufacturer	Johnson
	RoHS2	2011/65/EU	2015/853/EU	File: END LAUNCH JACK, SCREW-ON TYPE, 1.85mm
	XXXX - 02 XXXX - 01 ANGLES: 45°	Date	07/10/2019	Drawing No. 148-0701-301/310 Rev. 003