

注記 NOTE

- ① 材料及び仕上げ (めっき仕様) : TABLE 1 参照
MATERIAL AND FINISHED (PLATING SPECIFICATION) : SEE TABLE 1
- ② 嵌合相手 : 214092 シリーズ
MATE WITH: 214092 SERIES
- ③ 偶数極 に適用
APPLY FOR EVEN CIRCUIT.
- 4. ターミナルとネイルの平坦度は0.1mm以下
TERMINAL AND NAIL COPLANARITY : 0.1mm MAXIMUM
- 5. 製品仕様書 : 2140920000-PS 000
PRODUCT SPECIFICATION : 2140920000-PS 000
- 6. アプリケーション仕様書 : 2166940000-AS 000
APPLICATION SPECIFICATION : 2166940000-AS 000
- ⑦ 発注番号 : SHEET 5の製品一覧を参照ください
ORDER NO. : REFER TO SHEET 5 FOR PRODUCT LIST

9.52	7.0	10.54	8
8.52	6.0	9.54	7
7.52	5.0	8.54	6
6.52	4.0	7.54	5
5.52	3.0	6.54	4
4.52	2.0	5.54	3
3.52	1.0	4.54	2
C	B	A	極数 CIRCUIT SIZE

① TABLE 1

番号 NO.	部品 PART	材質 MATERIAL
①	ハウジング HOUSING	ポリアミド(PA),ガラス充填,UL94 V-0,色 : 黒 POLYAMIDE (PA),GLASS FILLED,UL94 V-0,COLOR:BLACK
②	ターミナル及びネイル TERMINAL AND NAIL	黄銅 BRASS
		錫めっき : 1.0 MICROMETER MINIMUM MATTE TIN PLATING ニッケルめっき(下地全面) : 1.0 MICROMETER MINIMUM NICKEL (UNDER-PLATING OVERALL)

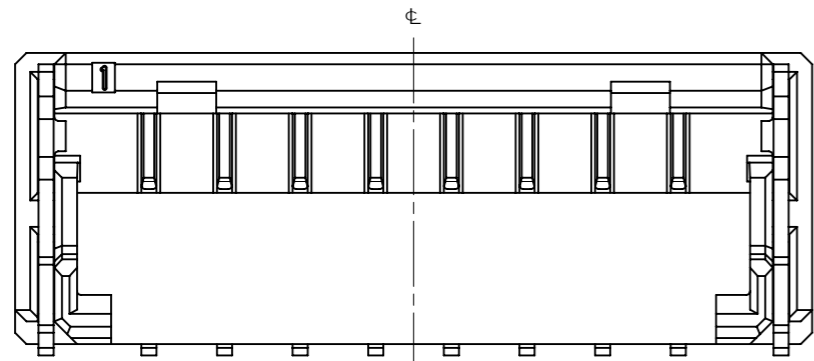
DOCUMENT STATUS | P1 | RELEASE DATE | 2021/12/13 10:05:06

214094 0 0 * 0

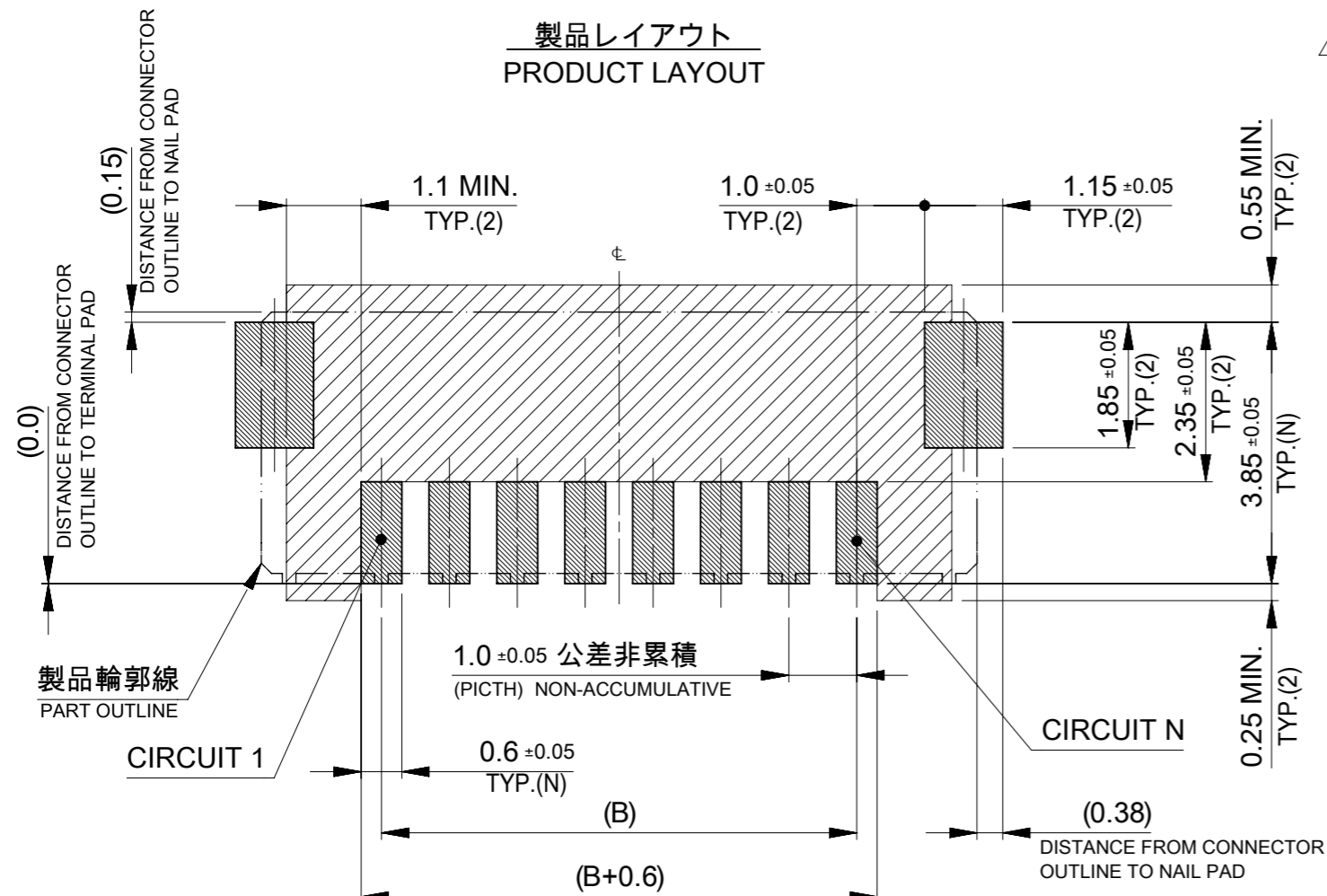
極数
CIRCUIT SIZE

THIS DRAWING CONTAINS INFORMATION THAT IS PROPRIETARY TO MOLEX ELECTRONIC TECHNOLOGIES, LLC AND SHOULD NOT BE USED WITHOUT WRITTEN PERMISSION

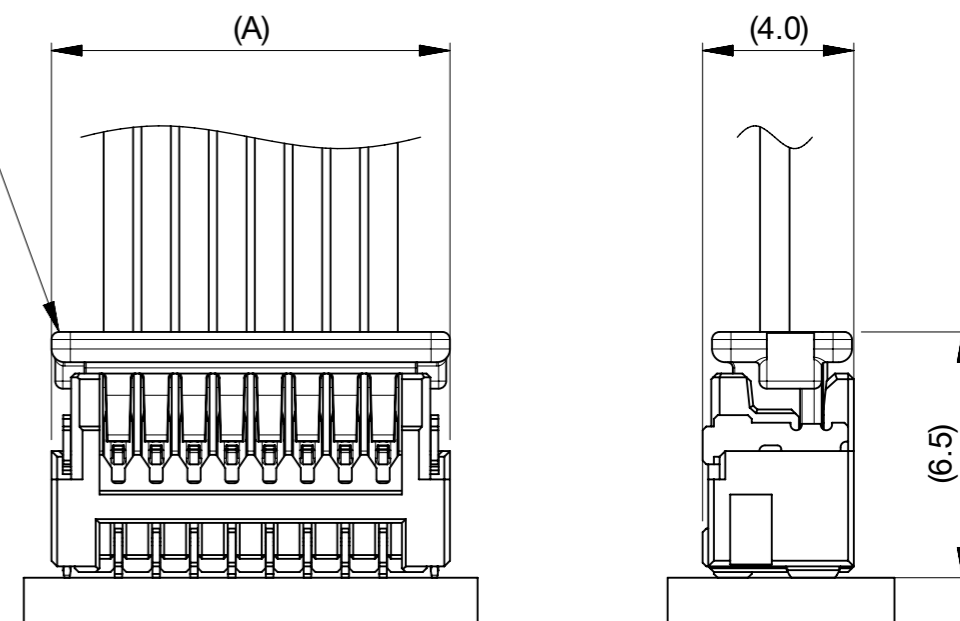
DIMENSION UNITS	SCALE	CURRENT REV DESC:		molex				
mm	NTS							
GENERAL TOLERANCES (UNLESS SPECIFIED)				ONEBLADE1.0 WTB SINGLE ROW VERTICAL SMT HEADER ASSEMBLY TIN PLATING				
ANGULAR TOL ± 3.0°								
4 PLACES	± 0.2	EC NO: 688260		PRODUCT CUSTOMER DRAWING				
3 PLACES	± 0.2	DRWN: AISHIKAWA 2021/07/19						
2 PLACES	± 0.2	CHK'D: AIDA 2021/12/13		DOCUMENT NUMBER: 2140940000-SD DOC TYPE: PSD DOC PART: 000 REVISION: A				
1 PLACE	± 0.2	APPR: SAKIYAMA 2021/12/13						
0 PLACES	± 0.2	INITIAL REVISION:		MATERIAL NUMBER: SEE SHEET 5 CUSTOMER: GENERAL SHEET NUMBER: 1 OF 5				
		DRWN: AISHIKAWA 2021/07/19						
		APPR: SAKIYAMA 2021/12/13						
DRAFT WHERE APPLICABLE MUST REMAIN WITHIN DIMENSIONS		THIRD ANGLE PROJECTION	DRAWING: A3-SIZE	SERIES: 214094				



製品レイアウト
PRODUCT LAYOUT



△ 嵌合相手 : 214092 シリーズ
MATE WITH : 214092 SERIES



嵌合状態図
MATED CONNECTORS



推奨基板レイアウト:実装面側

(参考: 基板厚1.2mm, メタルマスク厚0.1~0.12mm, マスク開口率100%)

SUGGESTED PCB LAYOUT : COMPONENT SIDE

(REFERENCE: PCB THICKNESS 1.2mm, STENCIL THICKNESS 0.1~0.12mm, APERTURE RATIO 100%)



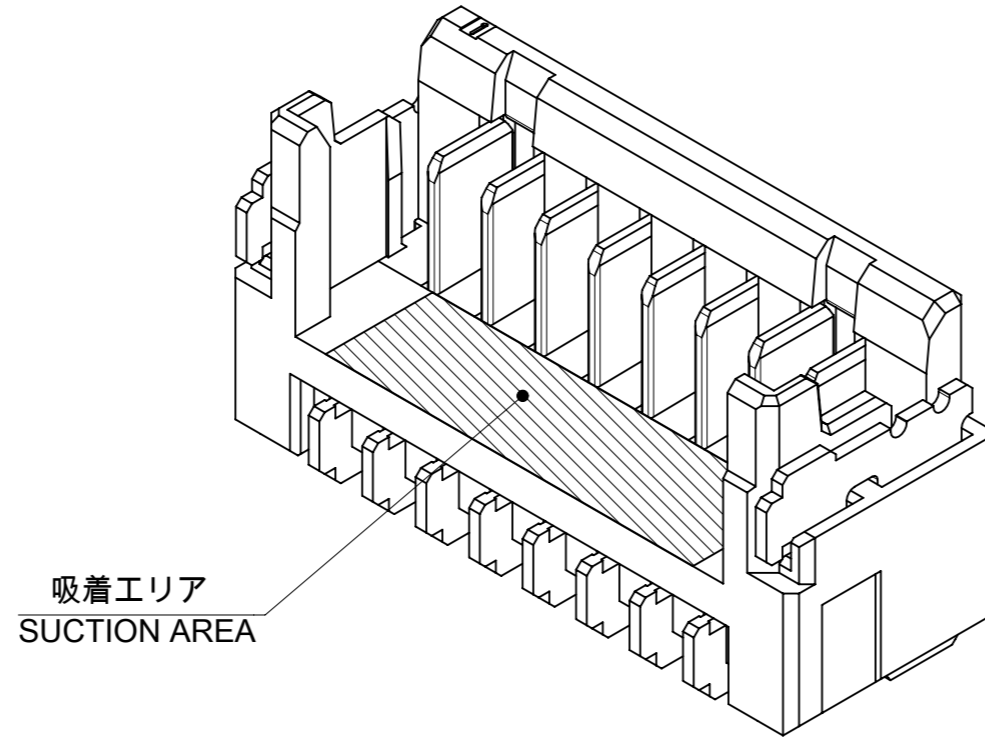
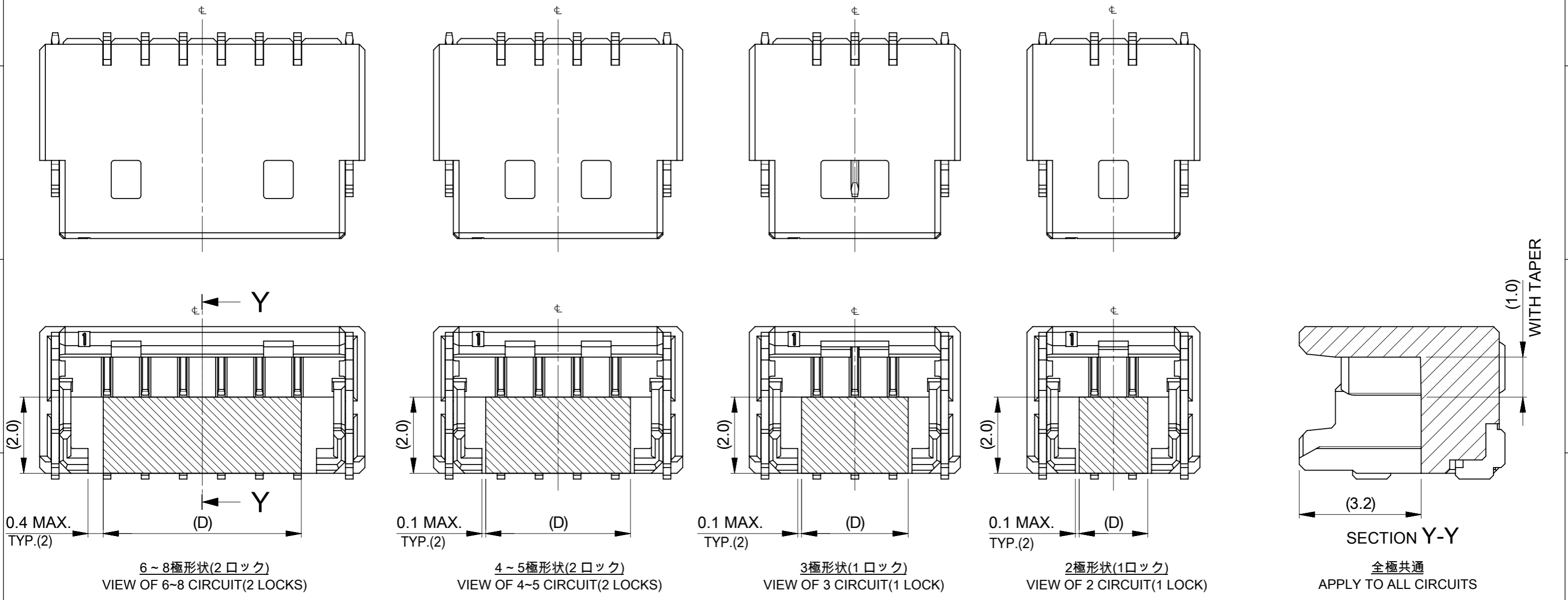
:パターン非推奨エリア

パターンを引き回す際は、製品機能に影響がないことをご確認ください。
PATTERN IS NOT RECOMMENDED ON THE HATCHING AREA
PLEASE CHECK NOT TO HAVE PROBLEM FOR PRODUCT FUNCTION
WHEN SETTING PATTERN ON THE HATCHING AREA.

THIS DRAWING CONTAINS INFORMATION THAT IS PROPRIETARY TO MOLEX ELECTRONIC TECHNOLOGIES, LLC AND SHOULD NOT BE USED WITHOUT WRITTEN PERMISSION									
DIMENSION UNITS		SCALE		CURRENT REV DESC:					
mm		NTS		<p>ONEBLADE1.0 WTB SINGLE ROW VERTICAL SMT HEADER ASSEMBLY TIN PLATING</p> <p>PRODUCT CUSTOMER DRAWING</p>					
GENERAL TOLERANCES (UNLESS SPECIFIED)									
ANGULAR TOL ± 3.0 °									
4 PLACES	± 0.2	EC NO: 688260							
3 PLACES	± 0.2	DRWN: AISHIKAWA	2021/07/19						
2 PLACES	± 0.2	CHK'D: AIDA	2021/12/13						
1 PLACE	± 0.2	APPR: SAKIYAMA	2021/12/13						
0 PLACES	± 0.2	INITIAL REVISION:							
DRAFT WHERE APPLICABLE MUST REMAIN WITHIN DIMENSIONS		THIRD ANGLE PROJECTION		DRAWING		SERIES		MATERIAL NUMBER	
				A3-SIZE		214094		2140940000-SD	
DOCUMENT STATUS				CUSTOMER		DOC TYPE		DOC PART	
P1				GENERAL		PSD		000	
RELEASE DATE				SHEET NUMBER		REVISION			
2021/12/13				2 OF 5		A			
10:05:06									

10 9 8 7 6 5 4 3 2 1

製品形状及び吸着エリア PRODUCT SHAPE AND SUCTION AREA

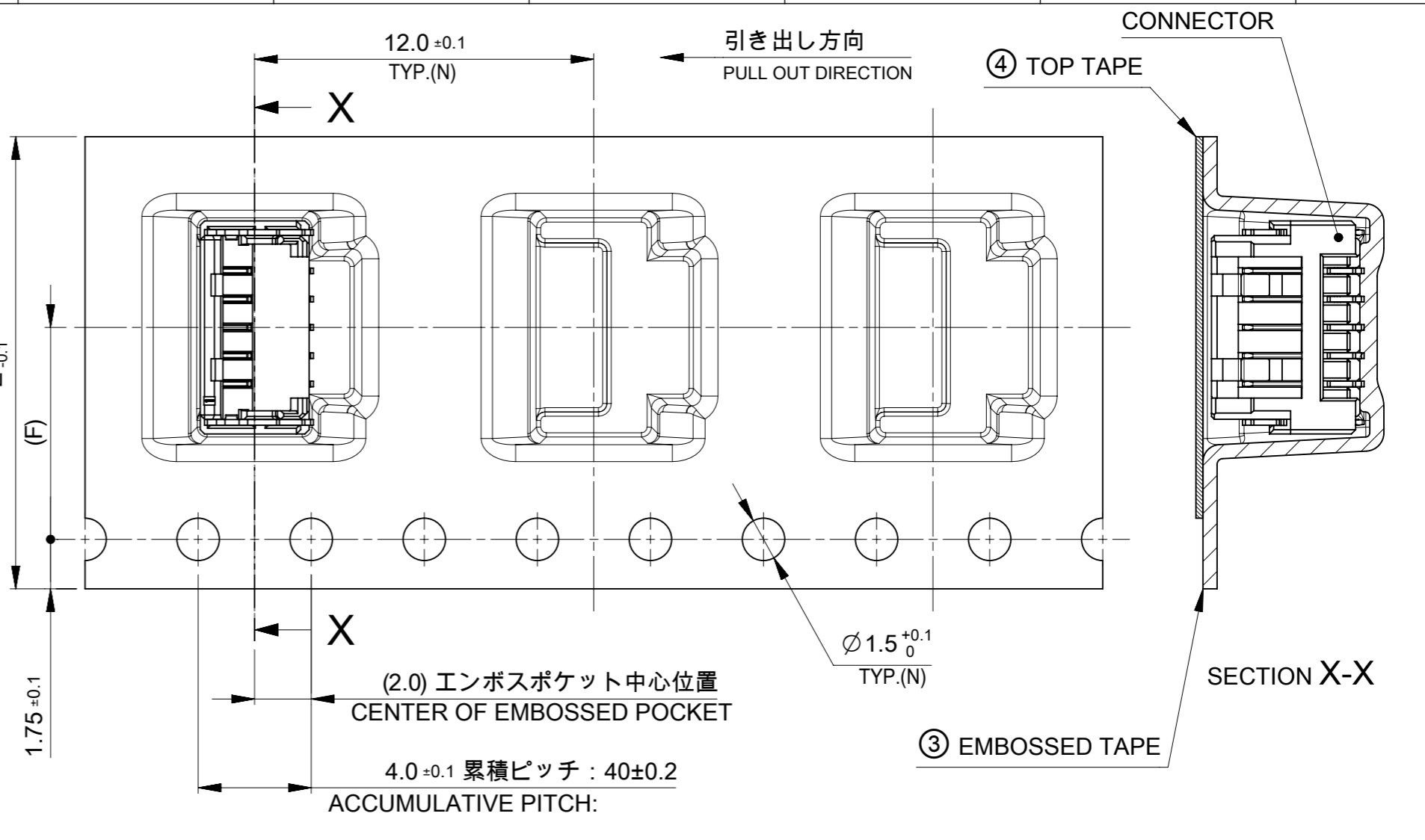
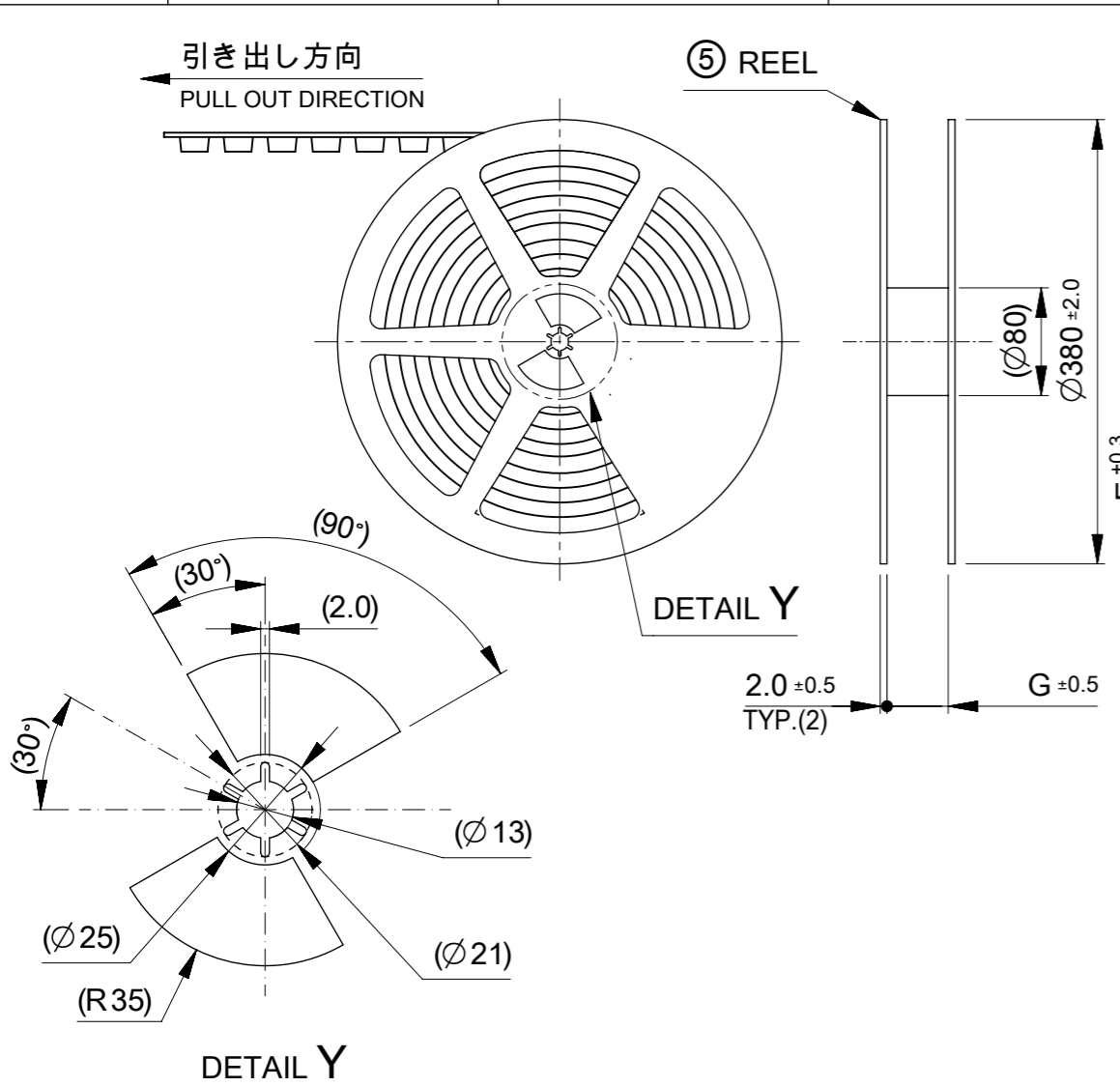


7.2	8
6.2	7
5.2	6
4.8	5
3.8	4
2.8	3
1.8	2
D	極数 CIRCUIT SIZE

THIS DRAWING CONTAINS INFORMATION THAT IS PROPRIETARY TO MOLEX ELECTRONIC TECHNOLOGIES, LLC AND SHOULD NOT BE USED WITHOUT WRITTEN PERMISSION

DIMENSION UNITS	SCALE	CURRENT REV DESC:		molex		
mm	NTS					
GENERAL TOLERANCES (UNLESS SPECIFIED)				ONEBLADE1.0 WTb SINGLE ROW VERTICAL SMT HEADER ASSEMBLY TIN PLATING		
ANGULAR TOL ± 3.0°				PRODUCT CUSTOMER DRAWING		
4 PLACES ± 0.2	DRWN: AISHIKAWA	2021/07/19		DOCUMENT NUMBER		
3 PLACES ± 0.2	CHK'D: AIDA	2021/12/13		DOC TYPE		
2 PLACES ± 0.2	APPR: SAKIYAMA	2021/12/13		DOC PART		
1 PLACE ± 0.2	INITIAL REVISION:			REVISION		
0 PLACES ± 0.2	DRWN: AISHIKAWA	2021/07/19		2140940000-SD		
	APPR: SAKIYAMA	2021/12/13		PSD 000 A		
DRAFT WHERE APPLICABLE MUST REMAIN WITHIN DIMENSIONS	THIRD ANGLE PROJECTION	DRAWING	SERIES	MATERIAL NUMBER	CUSTOMER	SHEET NUMBER
		A3-SIZE	214094	SEE SHEET 5	GENERAL	3 OF 5

9 8 7 6 5 4 3 2 1



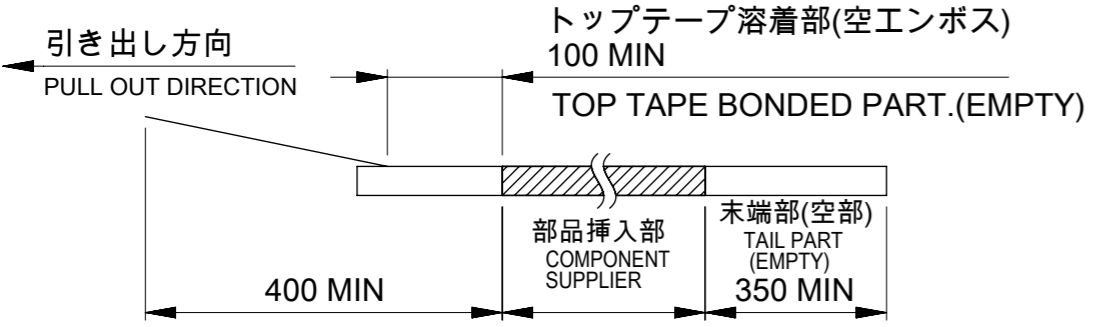
注記:
NOTES:

8. 梱包数量: 1,200個/リール
NUMBER OF CONNECTORS: 1,200 PIECES/REEL

9. リードテープ長さ
LEAD TAPE LENGTH

10. トップテープの剥離強度はIEC60286-3に準拠。
TOP TAPE PEELING FORCE IS DEFINED BY IEC60286-3.

11. 梱包仕様書: 2140949200-SPK 200
PACKAGING SPECIFICATION: 2140949200-SPK 200



25.5	11.5	24	8
			7
17.5	7.5	16	6
			5
			4
			3
G	コネクタ中心位置 F CENTER OF CONNECTOR	エンボステープ幅 E WIDTH OF TAPE	2
			極数 CIRCUIT SIZE

番号 No.	部品 PART	材質 MATERIAL
③	エンボステープ EMBOSSED TAPE	ポリスチレン(PS),その他 POLYSTYRENE(PS),etc
④	トップテープ TOP TAPE	ポリエチレン(PE),その他 POLYETHYLENE(PE),etc
⑤	リール REEL	ポリスチレン(PS) <リサイクル材を含む> POLYSTYRENE(PS) <RECYCLE MATERIAL CONTAINED >

THIS DRAWING CONTAINS INFORMATION THAT IS PROPRIETARY TO MOLEX ELECTRONIC TECHNOLOGIES, LLC AND SHOULD NOT BE USED WITHOUT WRITTEN PERMISSION

DIMENSION UNITS: mm SCALE: NTS

GENERAL TOLERANCES (UNLESS SPECIFIED): ANGULAR TOL ± 3.0°

4 PLACES ± 0.2
3 PLACES ± 0.2
2 PLACES ± 0.2
1 PLACE ± 0.2
0 PLACES ± 0.2

DRAFT WHERE APPLICABLE MUST REMAIN WITHIN DIMENSIONS

THIRD ANGLE PROJECTION

DRAWING: A3-SIZE SERIES: 214094 MATERIAL NUMBER: SEE SHEET 5 CUSTOMER: GENERAL SHEET NUMBER: 4 OF 5

CURRENT REV DESC:

EC NO: 688260
DRWN: AISHIKAWA 2021/07/19
CHK'D: AIDA 2021/12/13
APPR: SAKIYAMA 2021/12/13

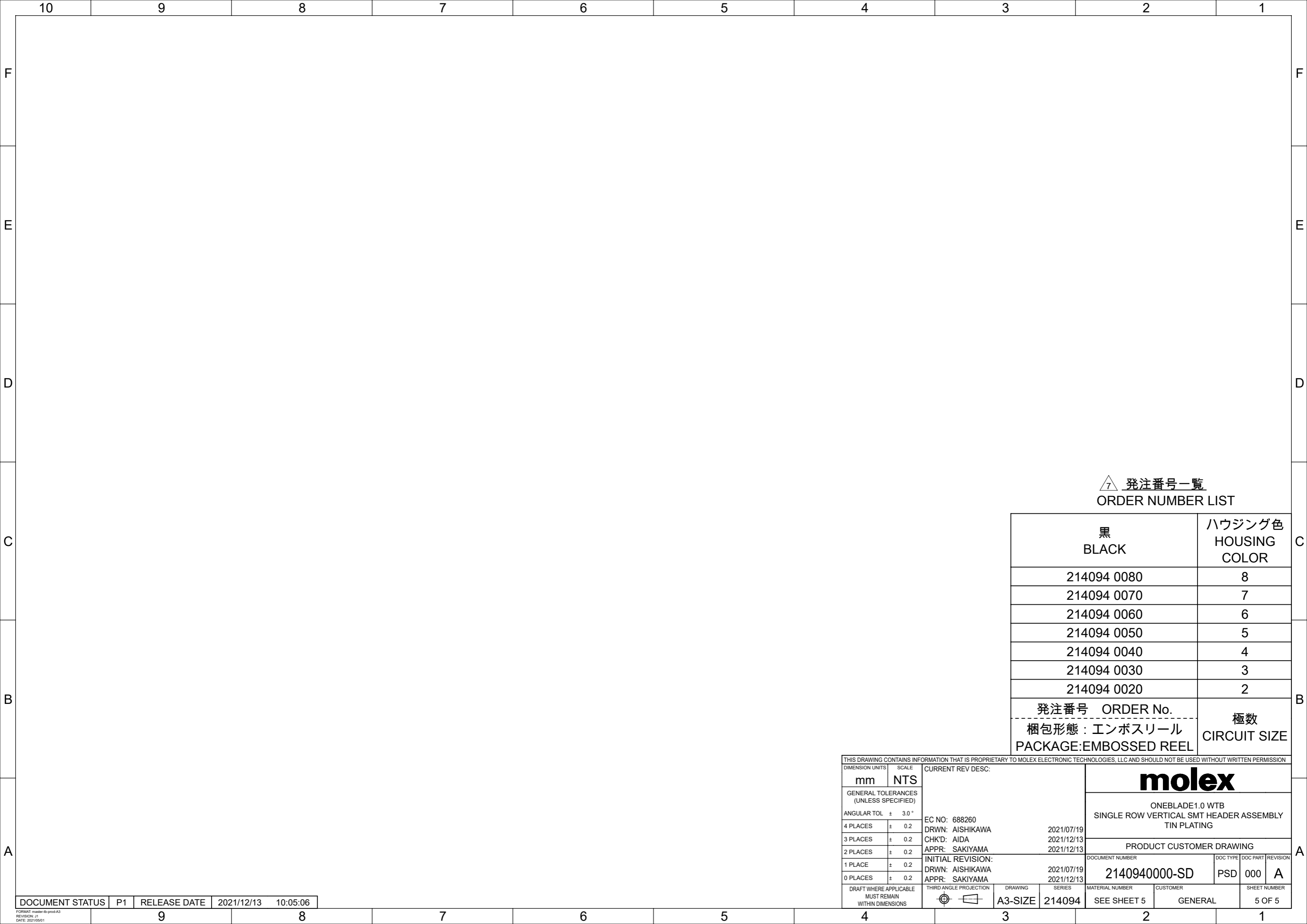
INITIAL REVISION:
DRWN: AISHIKAWA 2021/07/19
APPR: SAKIYAMA 2021/12/13

DOCUMENT NUMBER: 2140940000-SD DOC TYPE: PSD DOC PART: 000 REVISION: A

molex

ONEBLADE1.0 WTB
SINGLE ROW VERTICAL SMT HEADER ASSEMBLY
TIN PLATING

PRODUCT CUSTOMER DRAWING



△ 7 発注番号一覧
ORDER NUMBER LIST

黒 BLACK	ハウジング色 HOUSING COLOR
214094 0080	8
214094 0070	7
214094 0060	6
214094 0050	5
214094 0040	4
214094 0030	3
214094 0020	2
発注番号 ORDER No. ----- 梱包形態：エンボスリール PACKAGE:EMBOSSED REEL	極数 CIRCUIT SIZE

THIS DRAWING CONTAINS INFORMATION THAT IS PROPRIETARY TO MOLEX ELECTRONIC TECHNOLOGIES, LLC AND SHOULD NOT BE USED WITHOUT WRITTEN PERMISSION														
DIMENSION UNITS		SCALE		CURRENT REV DESC:				molex						
mm		NTS												
GENERAL TOLERANCES (UNLESS SPECIFIED)				EC NO: 688260 DRWN: AISHIKAWA 2021/07/19 CHK'D: AIDA 2021/12/13 APPR: SAKIYAMA 2021/12/13 INITIAL REVISION: DRWN: AISHIKAWA 2021/07/19 APPR: SAKIYAMA 2021/12/13				DOCUMENT NUMBER		DOC TYPE	DOC PART	REVISION		
ANGULAR TOL ± 3.0 °								2140940000-SD		PSD	000	A		
4 PLACES ± 0.2								SERIES		MATERIAL NUMBER				
3 PLACES ± 0.2								A3-SIZE		214094		CUSTOMER		SHEET NUMBER
2 PLACES ± 0.2								SEE SHEET 5		GENERAL		5 OF 5		
1 PLACE ± 0.2														
0 PLACES ± 0.2														
DRAFT WHERE APPLICABLE MUST REMAIN WITHIN DIMENSIONS				THIRD ANGLE PROJECTION		DRAWING		SERIES		MATERIAL NUMBER	CUSTOMER	SHEET NUMBER		
						A3-SIZE		214094		SEE SHEET 5	GENERAL	5 OF 5		

DOCUMENT STATUS	P1	RELEASE DATE	2021/12/13	10:05:06
-----------------	----	--------------	------------	----------