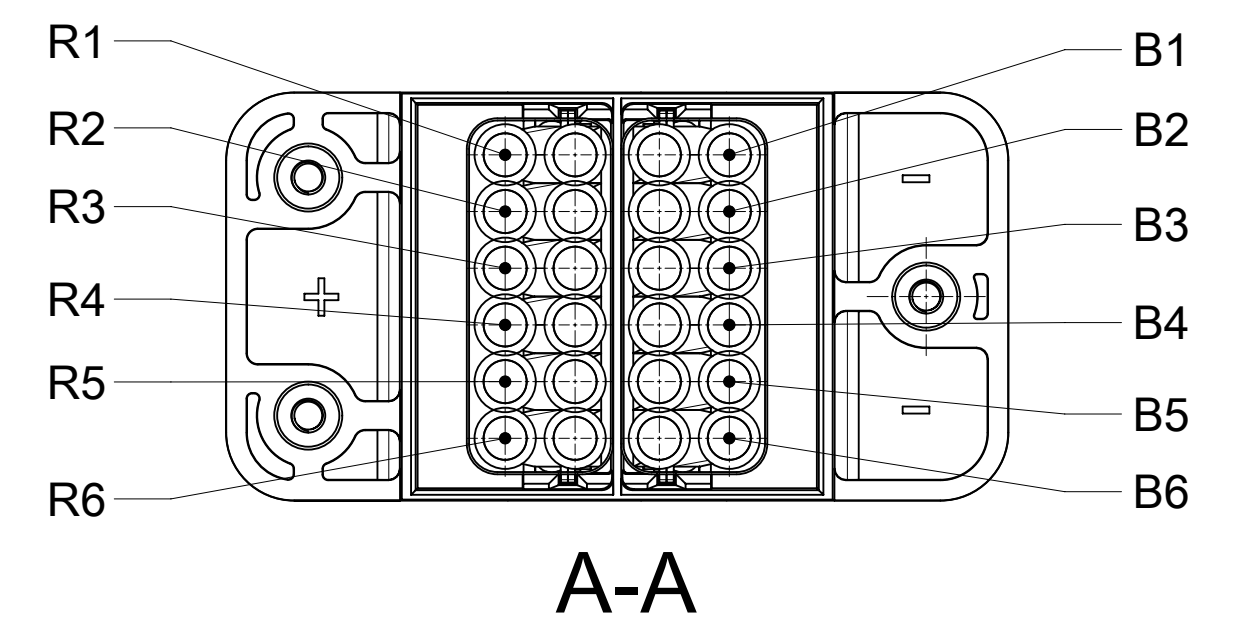
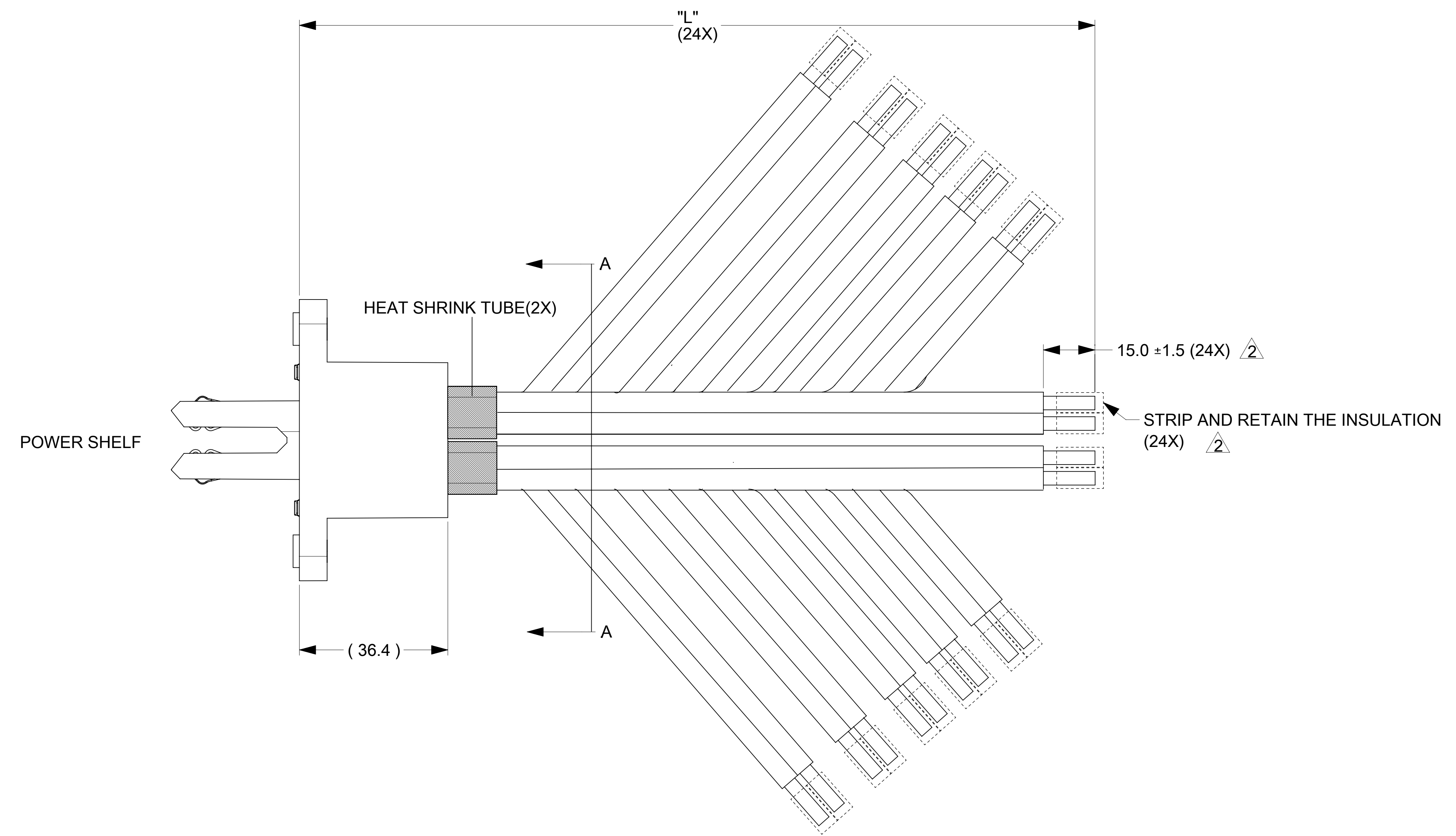


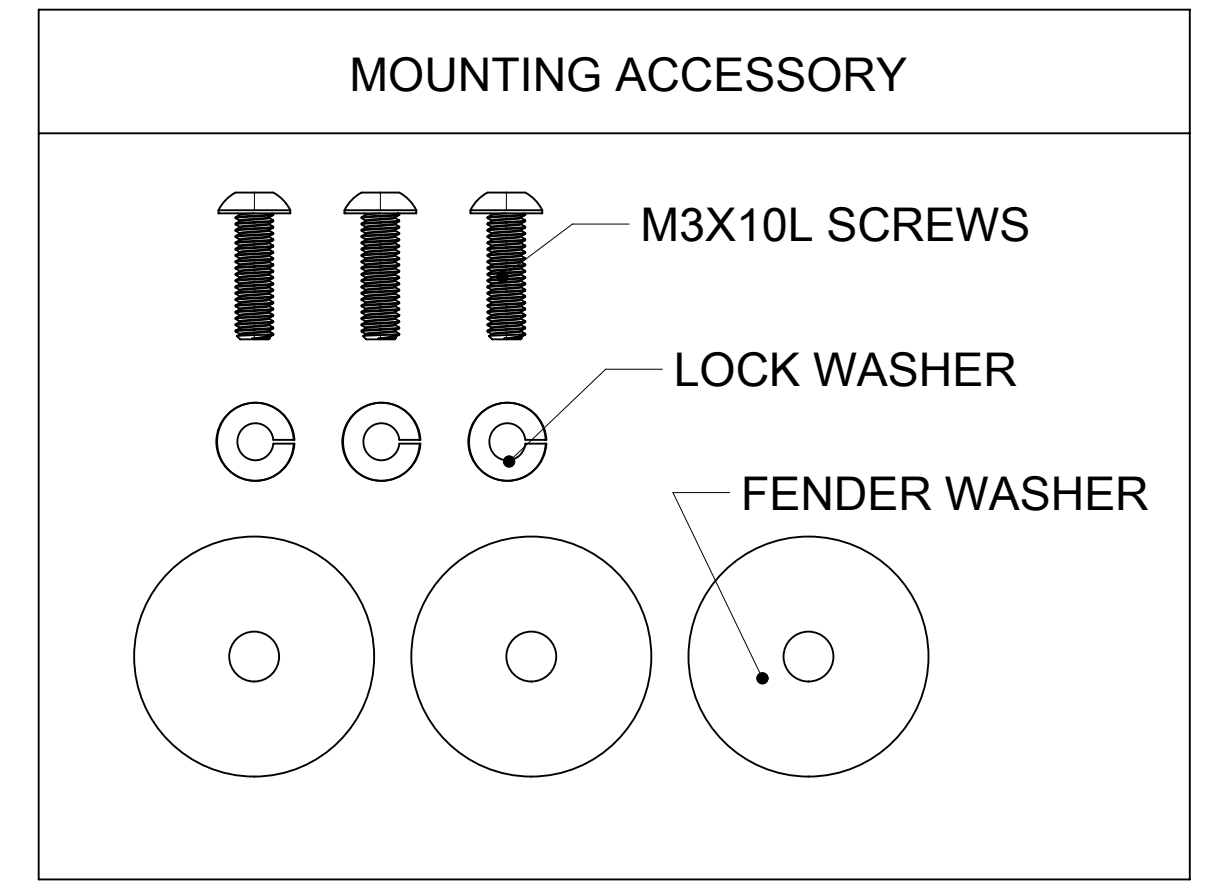
REVISIONS				
EC NO	DATE	REV	DESCRIPTION	CHANGER
	2022.08.31	A	INITIAL RELEASE	LUCY LI



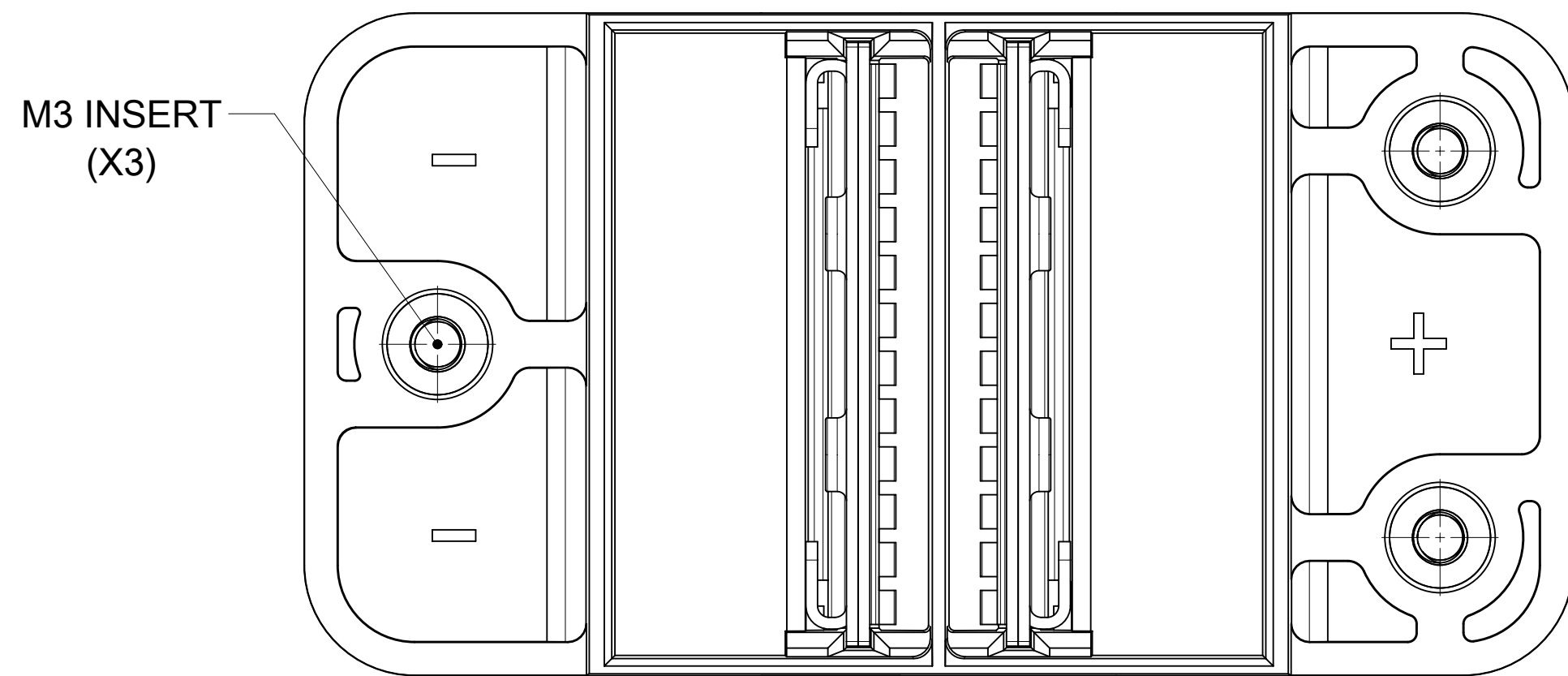
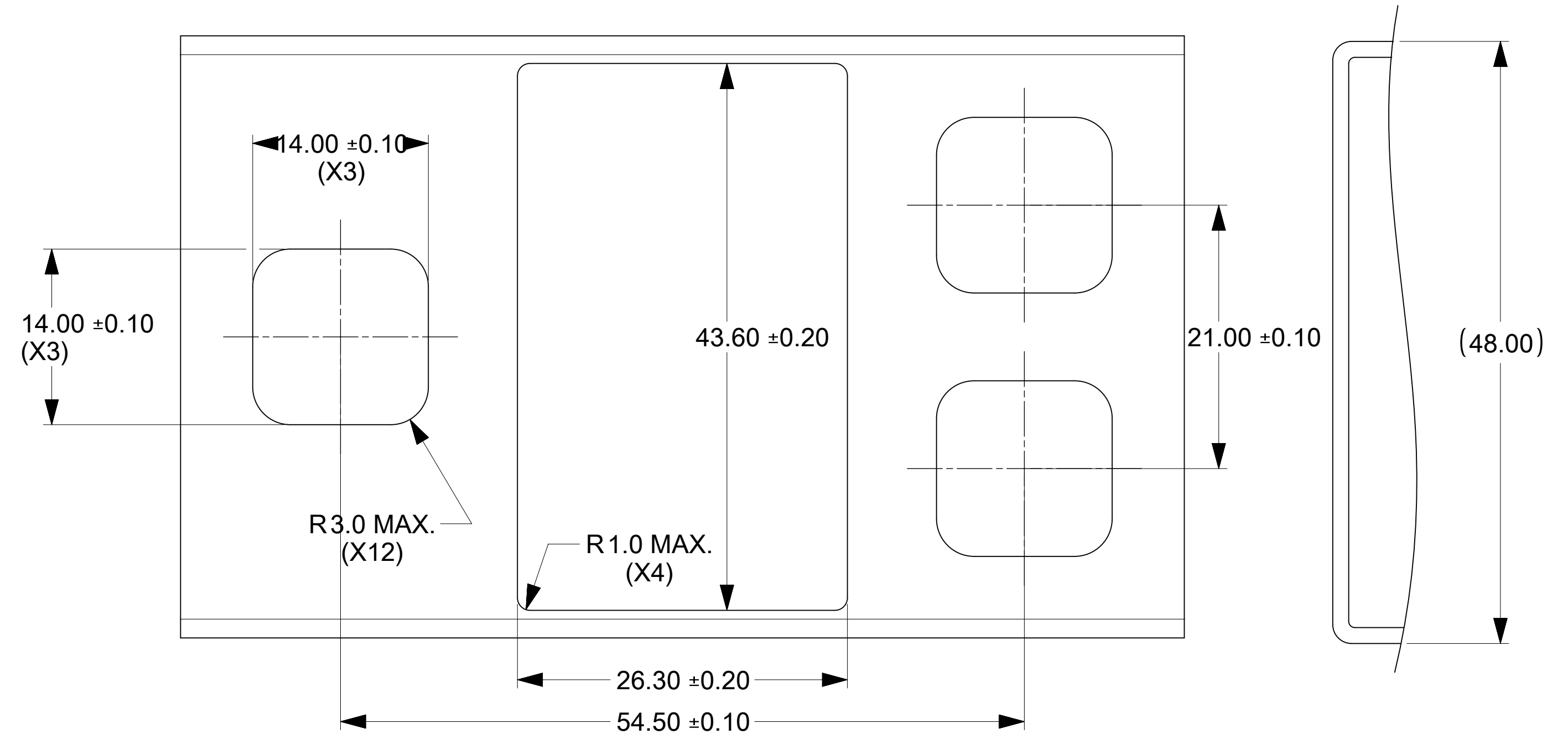
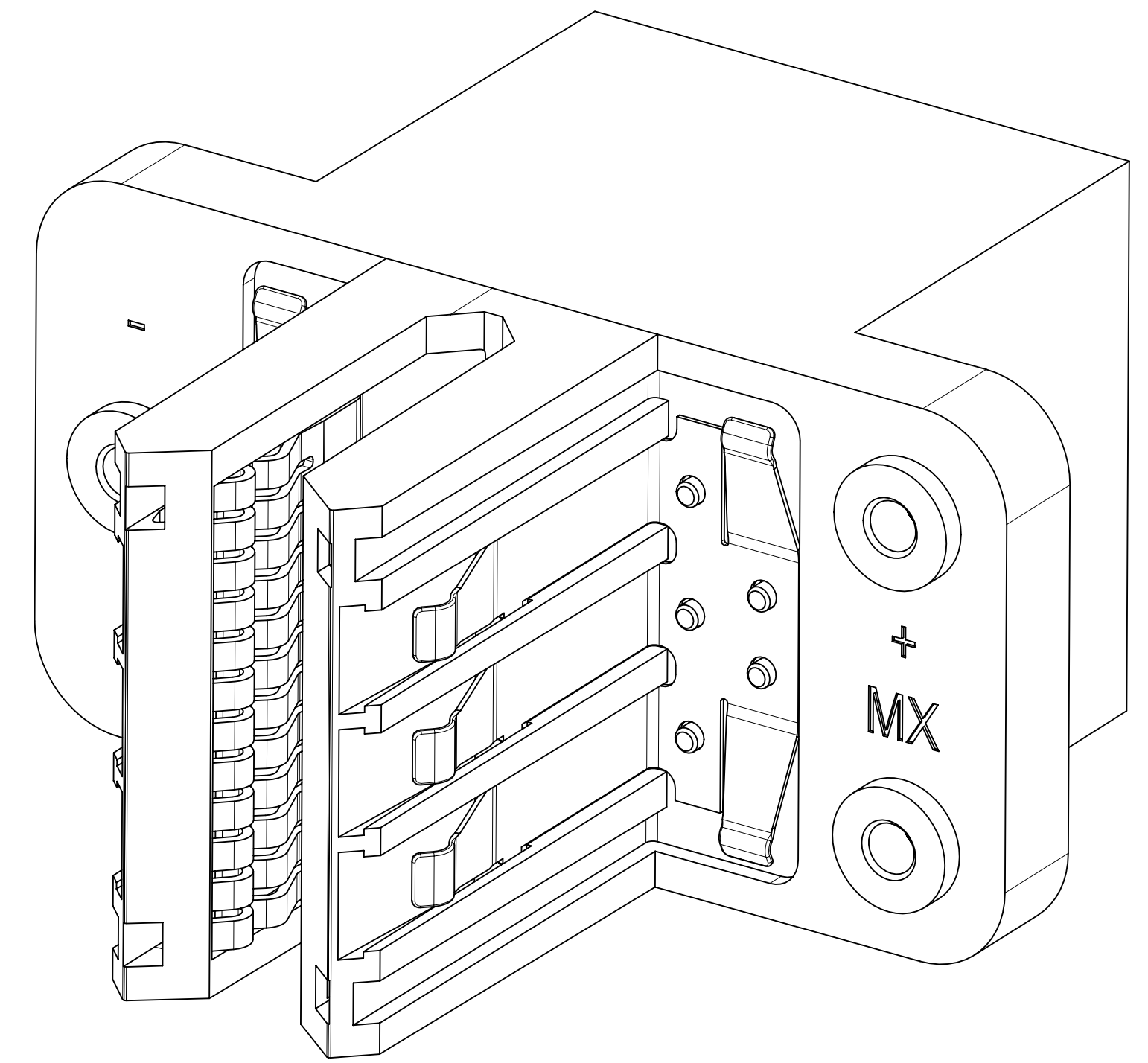
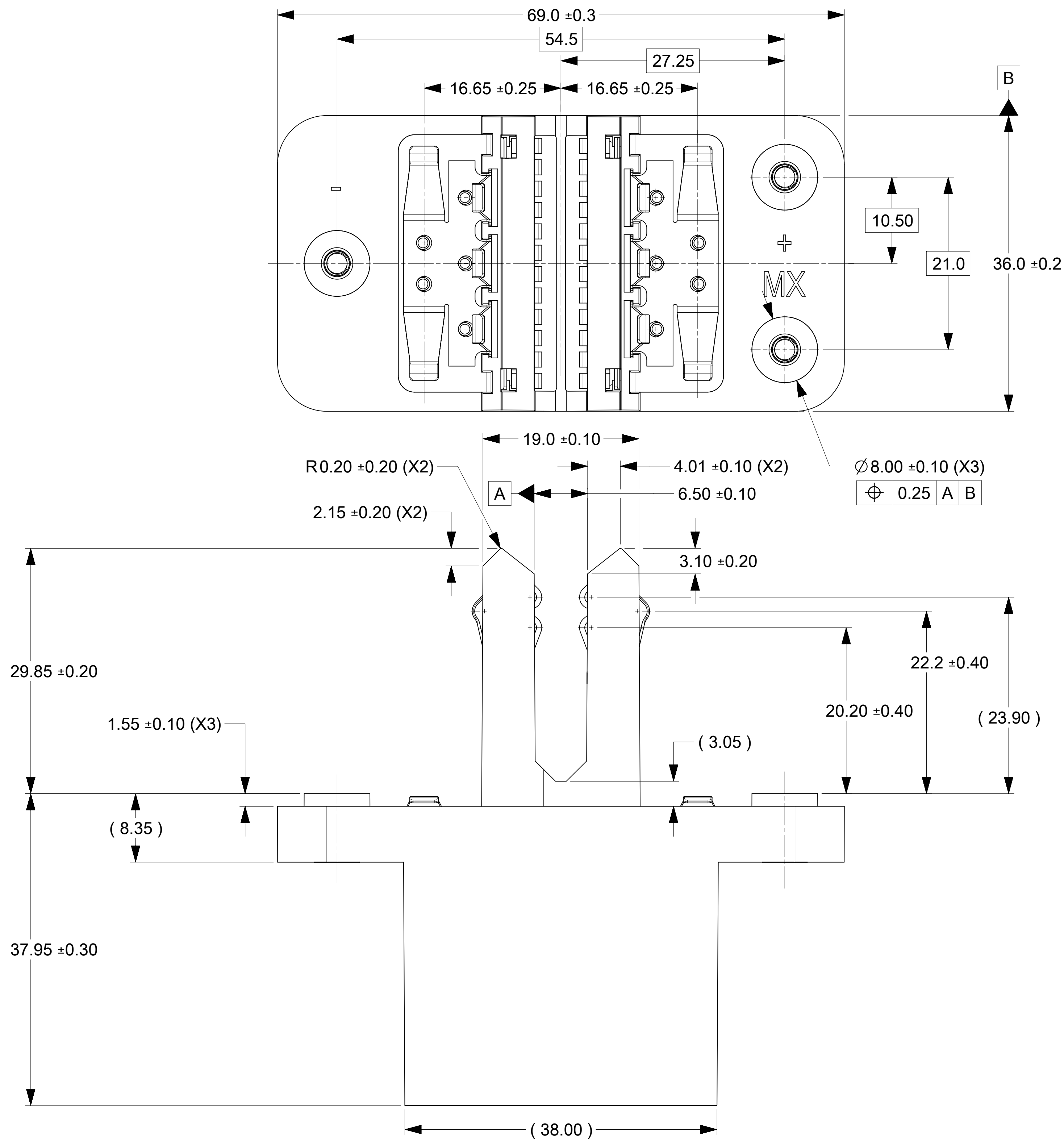
NO.	WIRE LENGTH "L"+10/-0mm	WIRE STYLE	NOTE	NO.	WIRE LENGTH "L"+10/-0mm	WIRE STYLE	NOTE
R1	450	UL 3132	8 AWG_RED(2x)	B1	450	UL 3132	8 AWG_BLACK(2x)
R2	450	UL 3132	8 AWG_RED(2x)	B2	450	UL 3132	8 AWG_BLACK(2x)
R3	450	UL 3132	8 AWG_RED(2x)	B3	450	UL 3132	8 AWG_BLACK(2x)
R4	450	UL 3132	8 AWG_RED(2x)	B4	450	UL 3132	8 AWG_BLACK(2x)
R5	450	UL 3132	8 AWG_RED(2x)	B5	450	UL 3132	8 AWG_BLACK(2x)
R6	450	UL 3132	8 AWG_RED(2x)	B6	450	UL 3132	8 AWG_BLACK(2x)

- NOTES:
- MATERIALS:
    - HOUSING BODY: POLYMER. UL94V-0; COLOR: BLACK.
    - TERMINALS: COPPER ALLOY.
    - CHASSIS CONTACT: COPPER ALLOY.
  - PLATING:
    - CONTACT AREAS: SILVER OVER NICKEL.
    - TAB AREAS: TIN OVER NICKEL OVERALL.
  - LUBRICATION: LUBED IN CONTACT AREA.
  - REFERENCE DOCUMENT: 2158470000-PS, 2158600000-AS
  - THIS PRODUCT MUST MEET EU RoHS REQUIREMENT
  - MATED WITH 6.00 +/-0.2MM THICKNESS SILVER PLATED BUSBAR
  - MOUNTING HARDWARE
    - 3 PCS M3 SCREWS.
    - 3 PCS 20mm M3 FENDER WASHERS, THICKNESS OF FENDER WASHERS IS 1.0+0.3/-0mm
    - 3 PCS M3 LOCK WASHERS.

- TORQUE RANGE FOR APPLICATION MOUNTING HARDWARE SHALL BE 0.7 TO 0.9N-m FOR REFERENCE



FUNCTIONAL SYMBOLS $F_A = 0$ $F_C = 0$ $F_D = 0$ DIVISIONAL SYMBOLS	THIS DRAWING CONTAINS INFORMATION THAT IS PROPRIETARY TO MOLEX ELECTRONIC TECHNOLOGIES, LLC AND SHOULD NOT BE USED WITHOUT WRITTEN PERMISSION		CURRENT REV DESC:		
	DIMENSION UNITS	SCALE	EC NO: 719733		
	mm	3:1	DRWN: LLI205 2022/08/31		
	GENERAL TOLERANCES (UNLESS SPECIFIED)		CHK'D: LLI205 2022/08/31		
ANGULAR TOL ± °		APPR: YXZOU 2022/09/01		POWER SHELF 450MM TEST PIGTAIL	
4 PLACES ±		INITIAL REVISION:		PRODUCT CUSTOMER DRAWING	
3 PLACES ±		DRWN: LLI205 2022/07/11		DOCUMENT NUMBER	
2 PLACES ± 0.15		APPR: YXZOU 2022/09/01		2158600011	
1 PLACE ± 0.25		DRAFT WHERE APPLICABLE MUST REMAIN WITHIN DIMENSIONS		DOC TYPE	
0 PLACES ±		THIRD ANGLE PROJECTION		PSD	
DRAFT WHERE APPLICABLE MUST REMAIN WITHIN DIMENSIONS		DRAWING		DOC PART	
		D-SIZE		000	
		SERIES		REVISION	
		215860		A	
		MATERIAL NUMBER		SHEET NUMBER	
		2158600011		1 OF 2	
		CUSTOMER			



FUNCTIONAL SYMBOLS	THIS DRAWING CONTAINS INFORMATION THAT IS PROPRIETARY TO MOLEX ELECTRONIC TECHNOLOGIES, LLC AND SHOULD NOT BE USED WITHOUT WRITTEN PERMISSION		
	DIMENSION UNITS	SCALE	CURRENT REV DESC:
$\nabla_A = 0$	mm	3:1	
$\nabla_C = 0$	GENERAL TOLERANCES (UNLESS SPECIFIED)		
$\nabla_D = 0$	ANGULAR TOL	± °	
DIVISIONAL SYMBOLS	4 PLACES	±	EC NO: 719733
	3 PLACES	±	DRWN: LLI205 2022/08/31
	2 PLACES	± 0.15	CHK'D: LLI205 2022/08/31
	1 PLACE	± 0.25	APPR: YXZOU 2022/09/01
	0 PLACES	±	INITIAL REVISION:
DRAFT WHERE APPLICABLE MUST REMAIN WITHIN DIMENSIONS	THIRD ANGLE PROJECTION	DRAWING	SERIES
		D-SIZE	215860
MATERIAL NUMBER		CUSTOMER	SHEET NUMBER
2158600011			2 OF 2

**molex**

POWER SHELF 450MM TEST PIGTAIL

PRODUCT CUSTOMER DRAWING

DOCUMENT NUMBER	DOC TYPE	DOC PART	REVISION
2158600011	PSD	000	A