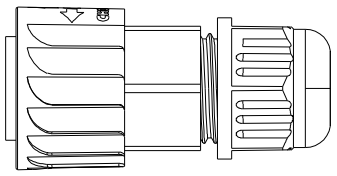
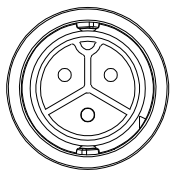
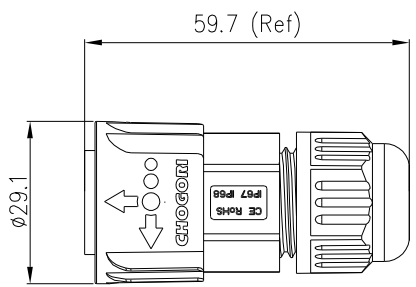
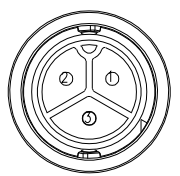


REV.	ECN NO.	DESCRIPTION	SIGN	DATE
C1	N/A	INITIAL DRAWING	Liu	2020/04/22



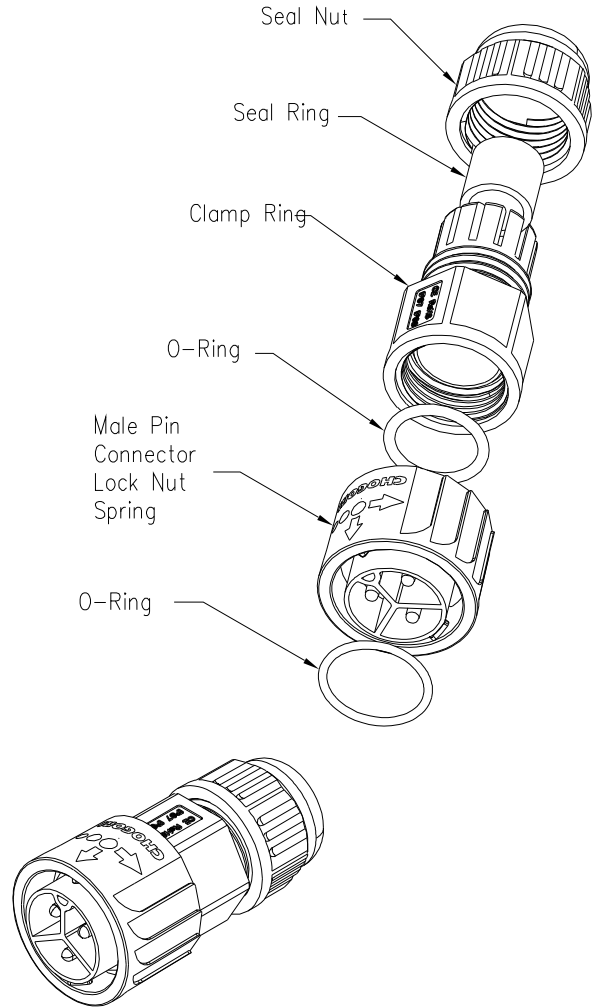
24XXX131-XX Cable Range OD
 03 OD: φ5.5mm~φ6.5mm
 04 OD: φ8.0mm~φ10.5mm
 Pin Number



3 Pin

P/N: 24003131-XX

Pin Assignments
 Front View



- Specification:
- 1.Operation Temperature: -45°C~105°C.
 - 2.Insulation Resistance:100MΩ at DC500V.
 - 3.Contact Resistance:<10mΩ
 - 4.Withstand Voltage: 2000V AC
 - 5.Operating Current:50A
 - 6.Operating Voltage:AC 300V
 - 7.Waterproof Rate:IP67 (Mated)
 - 8.Seal Nut:Nylon, Black
 - 9.Seal Ring:Silicon, Black.
 - 10.Clamp Ring:Nylon, Black
 - 11.O-Ring:Silicon, Red
 - 12.Male Pin:Copper Alloy, Gold Plated
 - 13.Connector:Nylon+GF, Black
 - 14.Lock Nut:Nylon, Blue
 - 15.Spring:SUS
 - 16.O-Ring:Silicon, Red
 - 14.RoHS Compliant.
 - 15.Mating Cap:804-00008-00

CHOGORI®

UNIT:mm		DESCRIPTION	Large Series Push Lock Male Plug With Male Pin	PART NO	24003131-XX	DRAWN BY	Liu	DATE	2020/04/22
TOLERANCE	.X ±0.25 .XX ±0.15 .XXX ±0.05 ANGLES ±1°	SCALE	1:1	SHEET	1 OF 1	CHECKED BY	Mo	DATE	2020/04/22
REV.	C1	SIZE	A4	* :Inspection Item					
				CUSTOMER		APPROVED BY	Adley	DATE	2020/04/22

THIS INFORMATION IS CONFIDENTIAL AND IS DISCLOSED TO YOU ON CONDITION THAT NO FURTHER DISCLOSURE IS MADE BY YOU TO OTHER THAN CHOGORI PERSONNEL WITHOUT AUTHORIZATION FROM CHOGORI CORP.