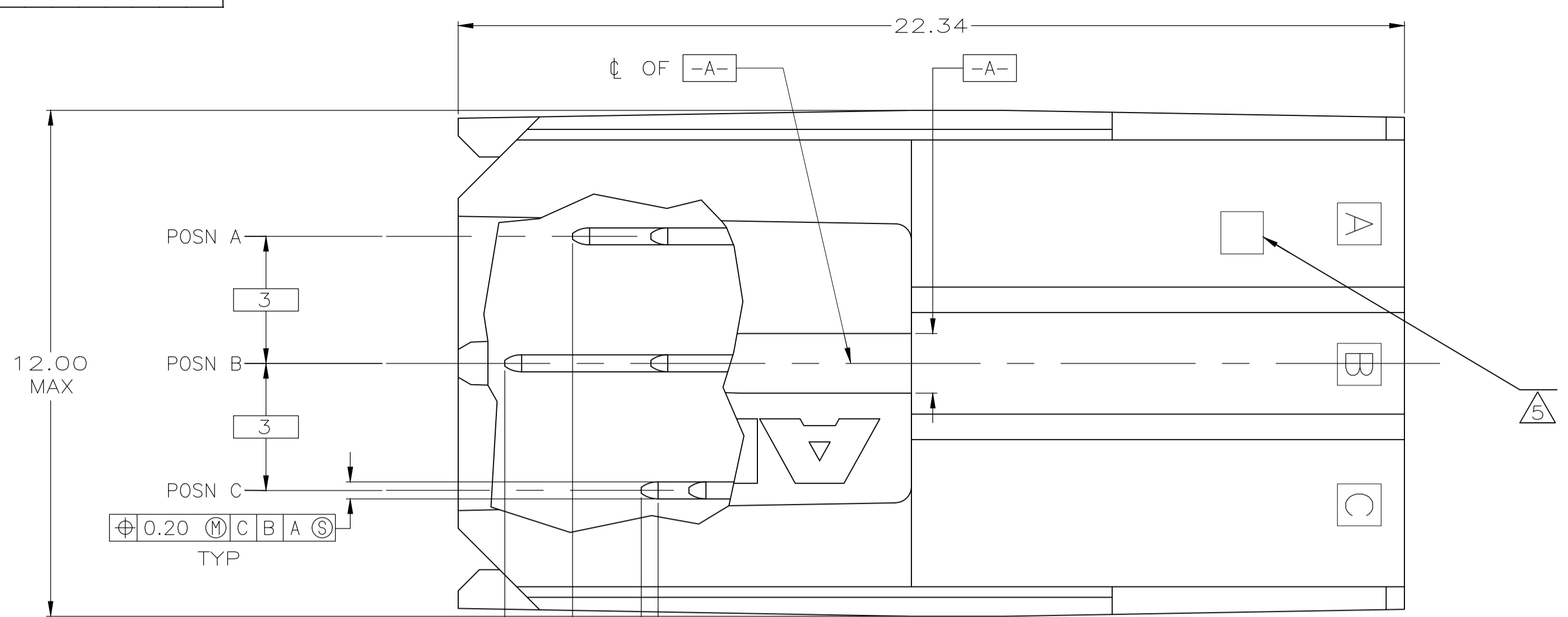
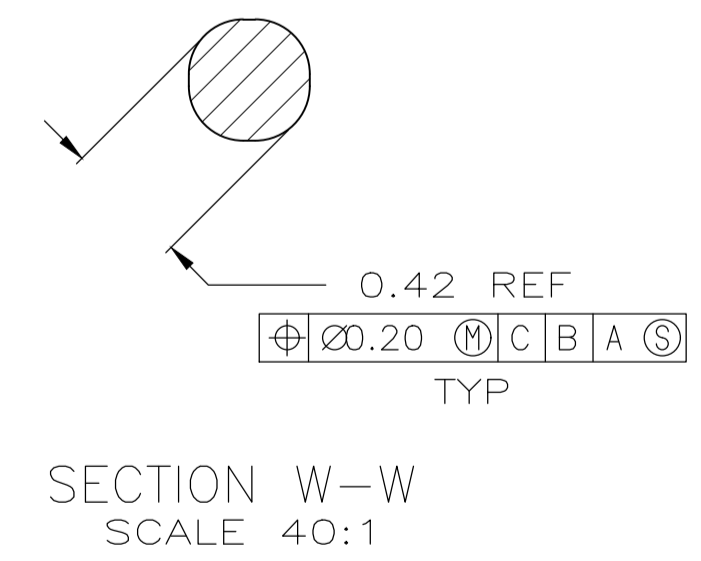
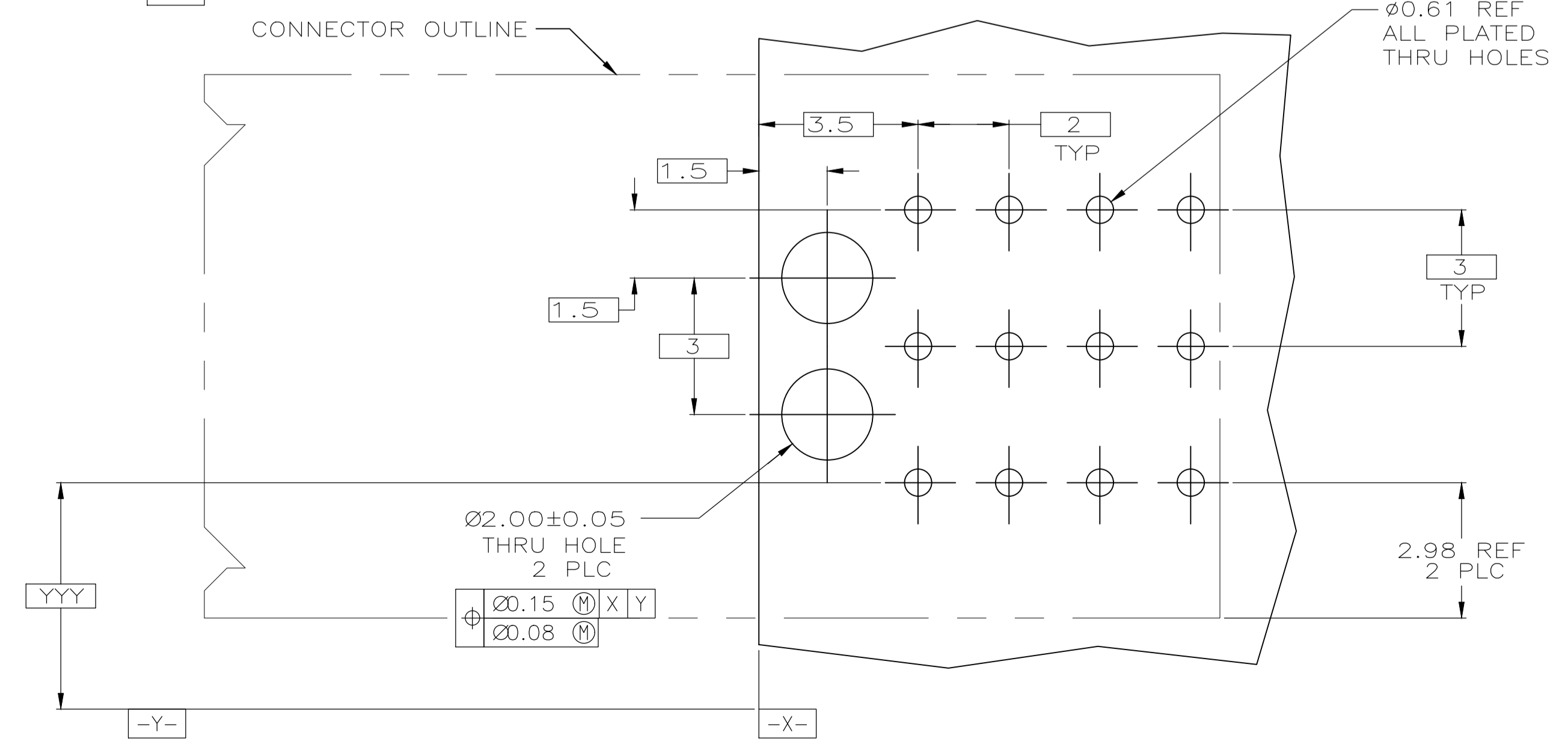
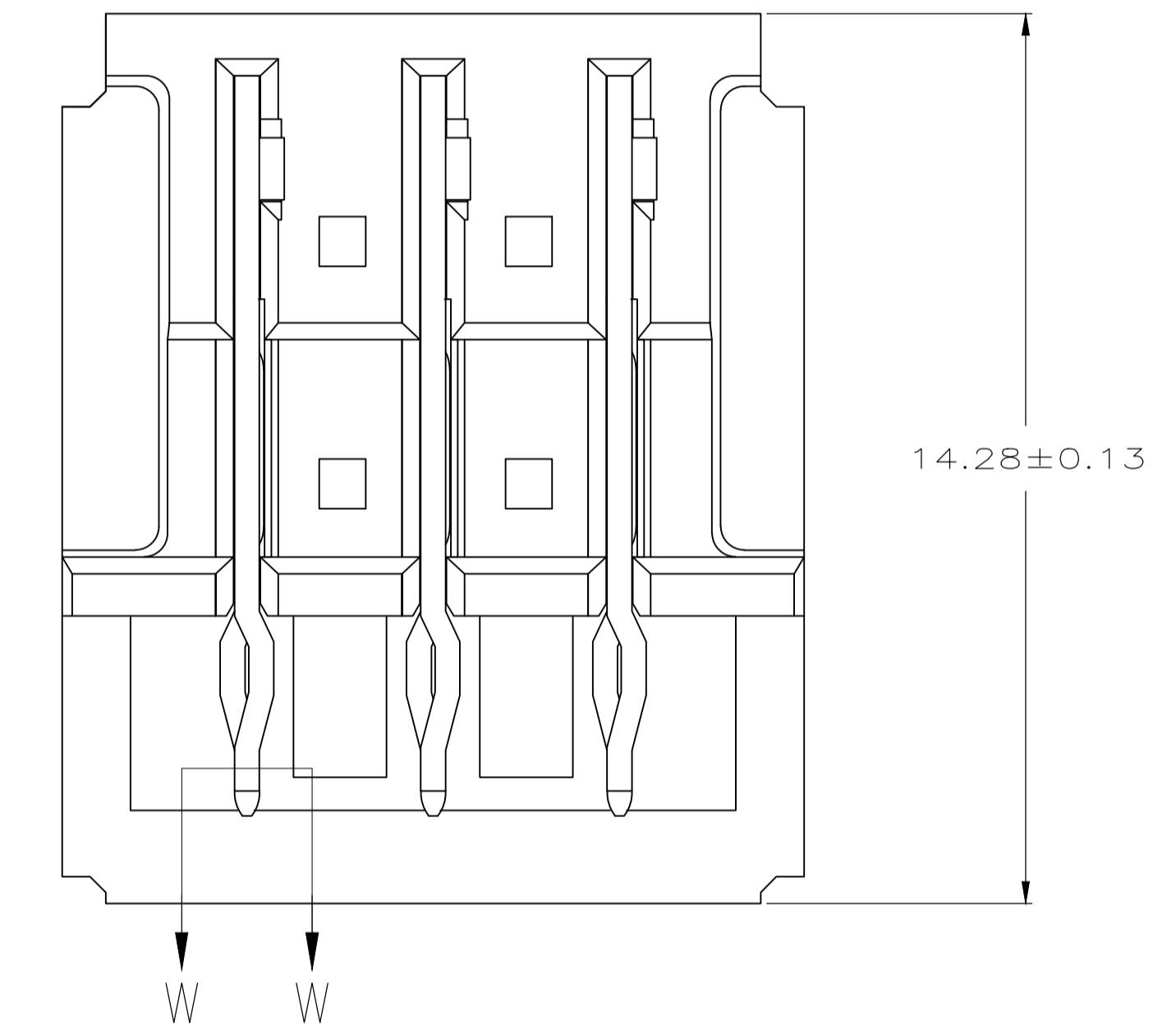
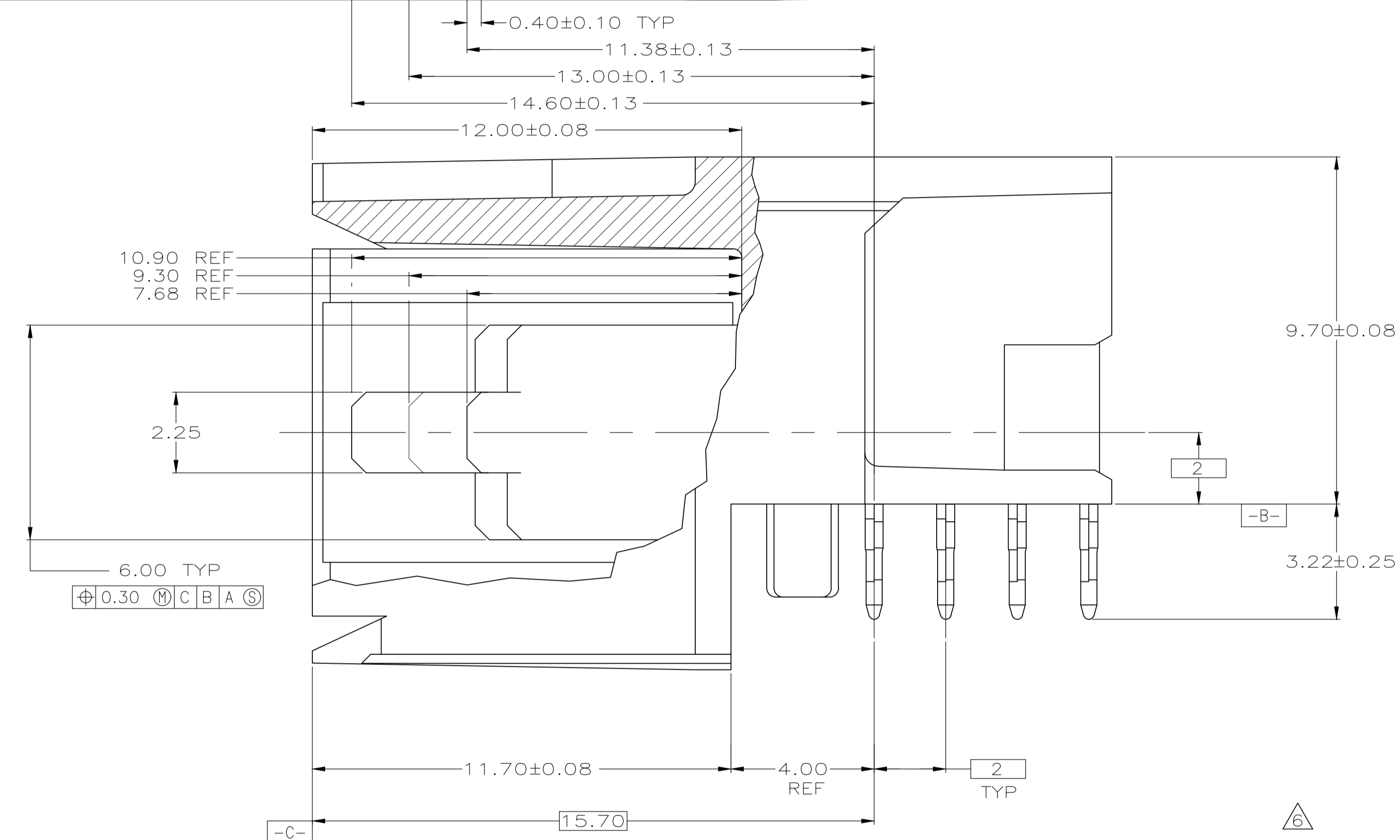
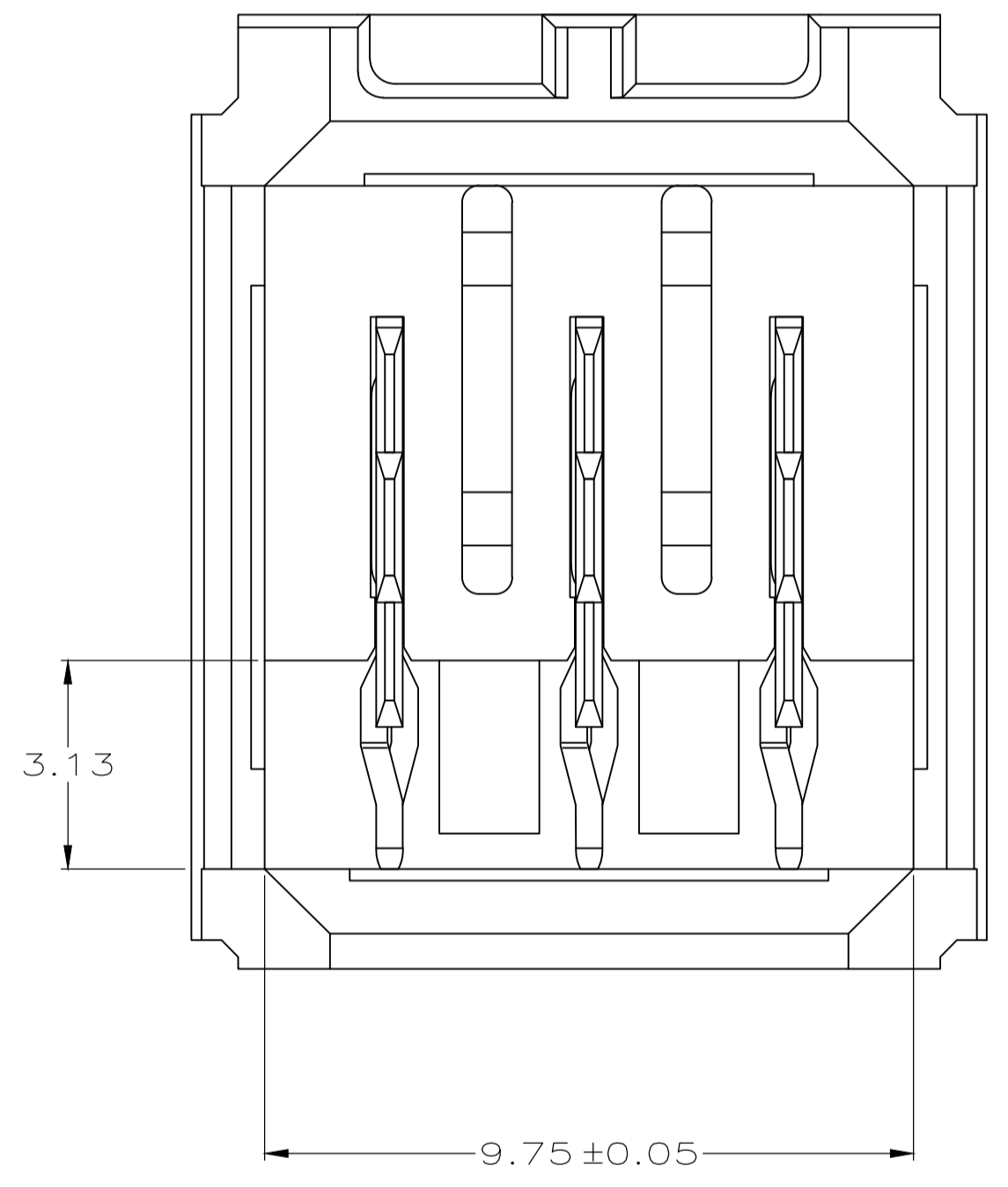


LOC		DIST		REVISIONS			
AD	00	F	LTR	DESCRIPTION	DATE	DWN	APVD
B1	REV PER ECO-20-004668				08JUN2020	ML	SZ



- 1 MATERIAL: HOUSING: POLYESTER, COLOR: GRAY, UL 94V-0. CONTACT: PHOSPHOR BRONZE.
- 2 FINISH: IN ACCORDANCE WITH PRODUCT SPECIFICATION 108-1651, GOLD PLATING OR EQUIVALENT PLATING ON PRODUCT CONTACT MATING AREA, AND MATTE TIN PLATING ON COMPLIANT PIN AREA, ALL OVER MATTE NICKEL UNDERPLATED. DETAIL PLEASE REFER TO PRODUCT SPECIFICATION 108-1651.
- 3 FINISH: CONTACT LUBRICATION WITH BELLCORE APPROVED LUBRICANT. TECHNICAL REFERENCE: TR-NWT-001217 ISSUE 1, SEPT 1992.
- 4 MATERIAL: HOUSING: LCP; COLOR, RED, UL 94V-0. CONTACT: PHOSPHOR BRONZE.
- 5 NUMBER "1" MARKED IN THIS AREA.
- 6 REFERENCE APPLICATION SPEC 114-1103 FOR RECOMMENDED PLATED THRU HOLE DIAMETER AND PLATING THICKNESS.
- 7 CURRENT RATING 10A/CONTACT PER PRODUCT SPEC 108-1651.



SECTION W-W
SCALE 40:1

1 2 3 4 5	5223964-6
1 2 3	5223964-1
FINISH	PART NUMBER

THIS DRAWING IS A CONTROLLED DOCUMENT.		DIN B CARBO 10DEC04	Tyco Electronics Corporation Harrisburg, PA 17105-3608
DIMENSIONS: mm		CIK R PATTERSON 10DEC04	
TOLERANCES UNLESS OTHERWISE SPECIFIED:		APVD R PATTERSON 10DEC04	NAME
0 PLC ± -	1 PLC ± -	PRODUCT SPEC	ASSEMBLY, RIGHT ANGLE HEADER, W/ RETENTION PEGS, UNIVERSAL POWER MODULE
2 PLC ± 0.13	3 PLC ± 0.13	APPLICATION SPEC	108-1651
4 PLC ± -	ANGLES ± -	114-1103	SIZE CASE CODE DRAWING NO
MATERIAL 1-4 FINISH 2-3		WEIGHT -	A1 00779 C=5223964
CUSTOMER DRAWING		SCALE 10:1	SHEET 1 OF 1 REV B1

RECOMMENDED PCB HOLE LAYOUT