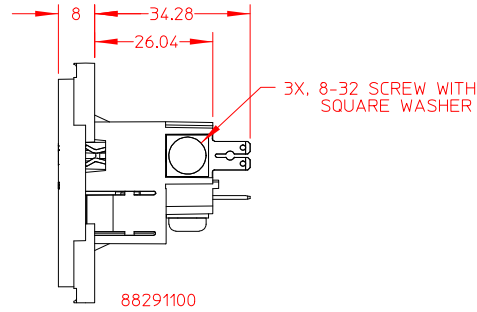
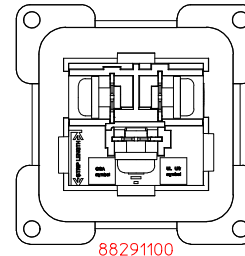


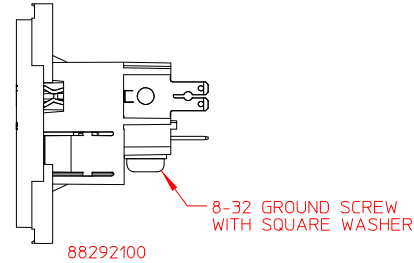
88291100 & 88292100
QUICK DISCONNECT CONTACTS



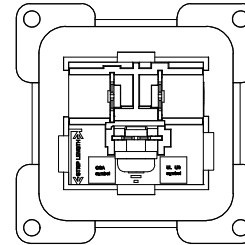
88291100



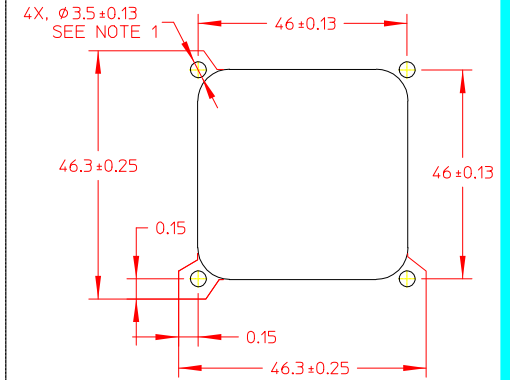
88291100



88292100



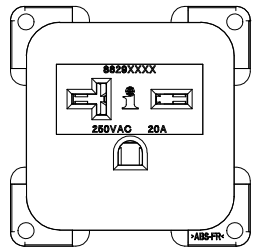
88292100



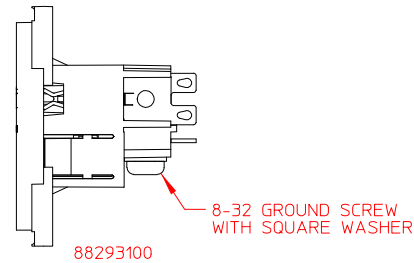
FRONT MOUNT PANEL CUTOUT
(SNAP-ON BEZEL)
OR REAR MOUNT PANEL CUTOUT
(NO SNAP-ON BEZEL)

THIS PANEL CUTOUT IS RECOMMENDED
WHEN USED IN COMBINATION WITH THE
88052XXX FAMILY OF SOCKETS.

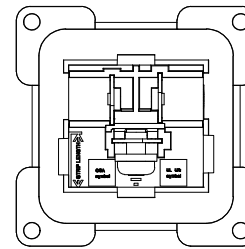
NOTES:
1. RECOMMENDED DIAMETER FOR THRU-HOLE
(SCREW/NUT COMBINATION) HARDWARE MOUNTING
METHOD. OTHER METHODS WILL REQUIRE HOLES
WITH DIFFERENT DIMENSIONS AND PARAMETERS.



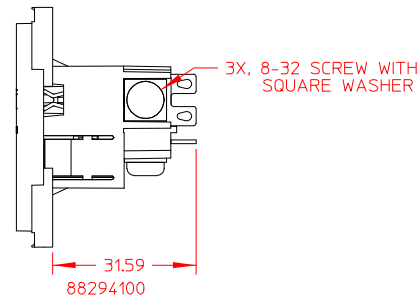
88293100 & 88294100
SOLDER TAB CONTACTS



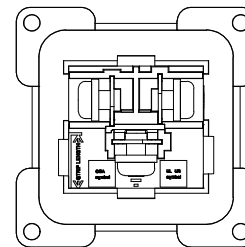
88293100



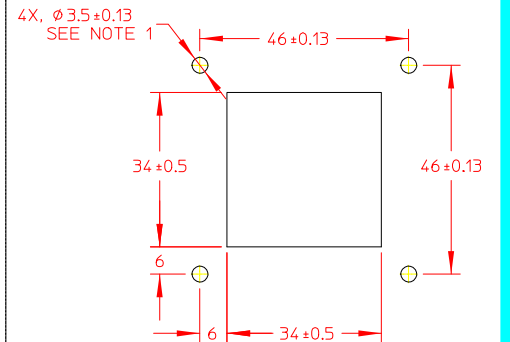
88293100



88294100



88294100



FRONT MOUNT PANEL CUTOUT
(SNAP-ON BEZEL)

THIS PANEL CUTOUT IS RECOMMENDED
FOR ALL OTHER APPLICATIONS.

THIS DOCUMENT AND ITS CONTENTS ARE THE PROPRIETARY, CONFIDENTIAL PROPERTY OF INTERPOWER CORPORATION. NO USE OR COPIES MAY BE MADE WITHOUT WRITTEN PERMISSION FROM INTERPOWER.

DIMENSIONS IN: MM		TITLE NEMA 6-20 SCREW MOUNT ASSEMBLIES	
DRAFT BY: BEM DATE: 8-26-15		PART NUMBER: 88291100, 88292100, 88293100, 88294100	
DRAFTING APPROVAL: SRK DATE: 8-26-15		DO NOT SCALE	
MATERIAL:		SHEET 1 OF 1	
		INTERPOWER CORPORATION	

REV	DATE	BY	CHANGE DESCRIPTION
1	3		INITIAL RELEASE