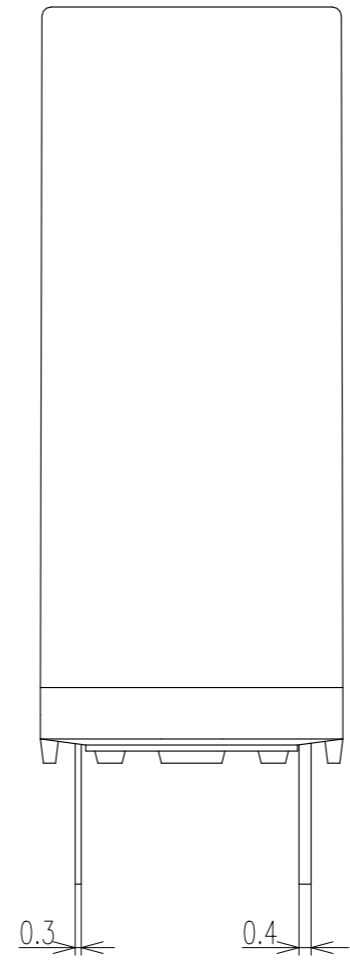
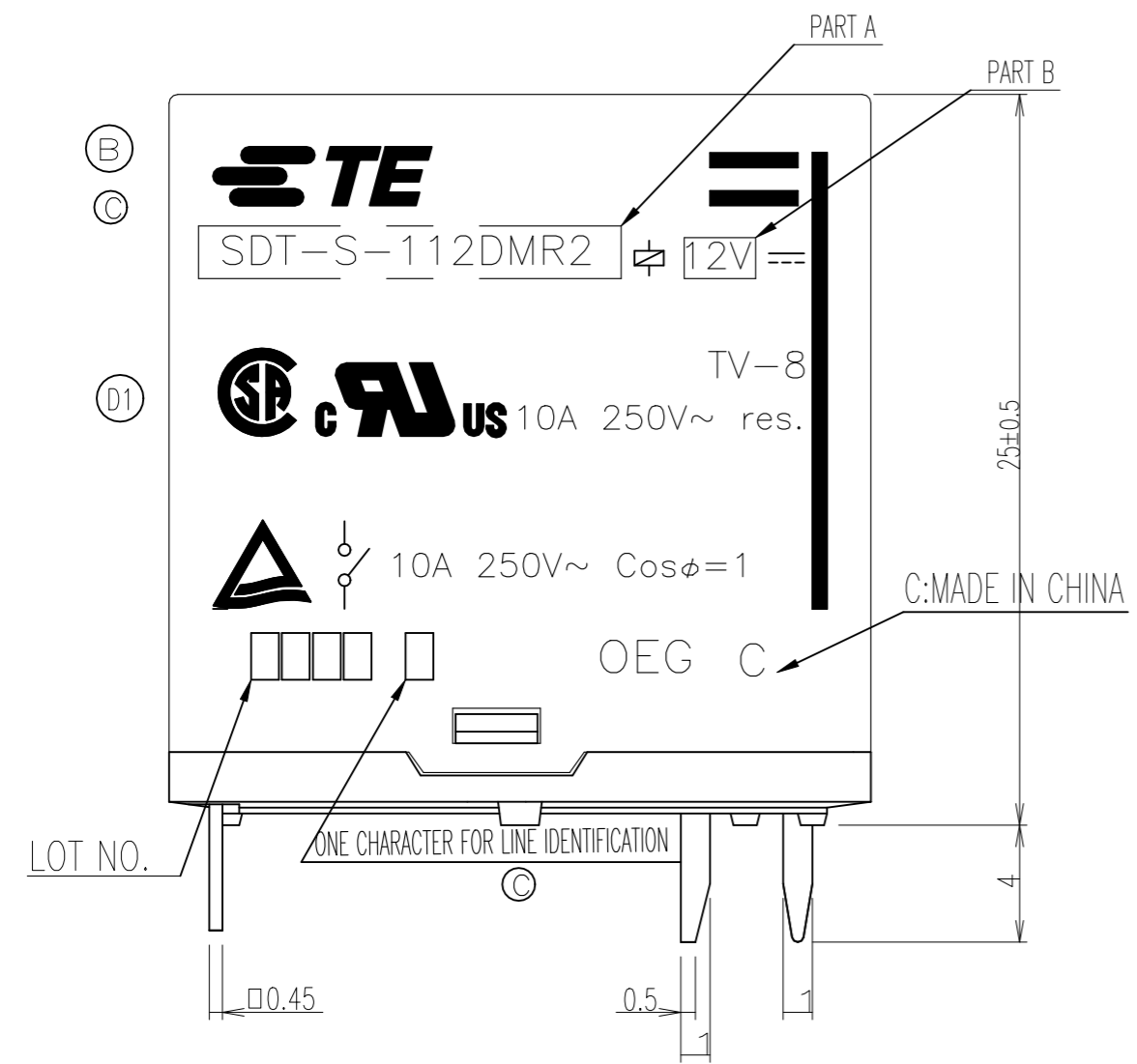
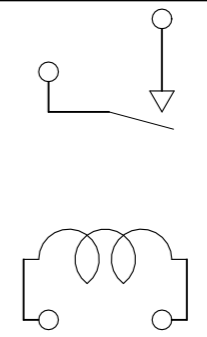


THIS DRAWING IS UNPUBLISHED. RELEASED FOR PUBLICATION
 © COPYRIGHT - By TE Connectivity ALL RIGHTS RESERVED.

LOC	DIST	REVISIONS				
P	LTR	DESCRIPTION	DATE	DWN	APVD	
HB	-					
	C	1.CHANGE TE LOGO2.ADD LINE IDENTIFICATION3.TERMINALS TOLERANCE CLARIFICATION	ECO-12-005305	03-APR-12	YS.H	BH.Y
	D	CHANGE RAW MATERIAL OF CARD	ECO-19-012552	14-AUG-19	TOD	K.T
	D1	REMOVED SEMKO LOGO	ECN-21-112550	14-AUG-21	G.R	K.T



CONNECTION DIAGRAM



DRILLING DIAGRAM (2/1)
(BOTTOM VIEW)

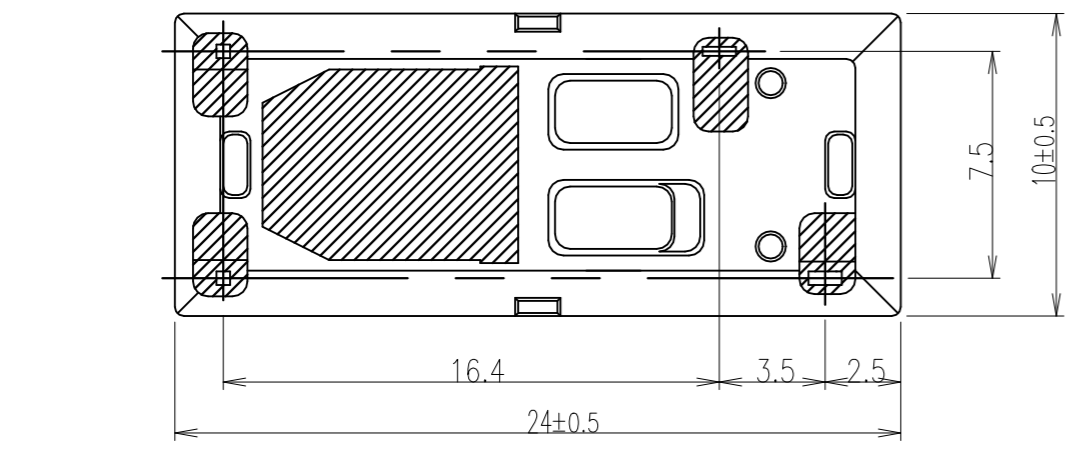
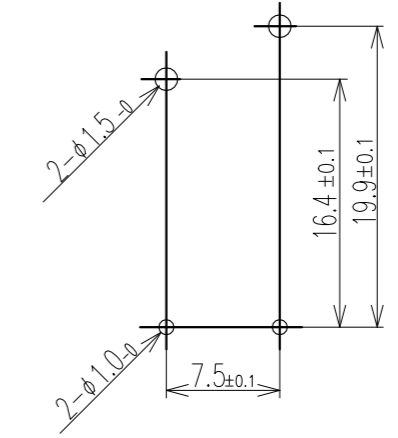


Diagram dimension	Tolerance
max. 1mm	±0.1mm
1 - 3mm	±0.2mm
min. 3mm	±0.3mm

THIS DRAWING IS A CONTROLLED DOCUMENT.		DWN H.SASAKI			
DIMENSIONS: mm		CHK N.FUNAYAMA			
TOLERANCES UNLESS OTHERWISE SPECIFIED:		APVD A.NAGAI		NAME	
0 PLC ± -		PRODUCT SPEC		SDT-DMR2 CUSTOMER DRAWING	
1 PLC ± -		APPLICATION SPEC		SIZE CAGE CODE DRAWING NO RESTRICTED TO	
2 PLC ± -		WEIGHT -		A3 00779 C-9-1440002-9	
3 PLC ± -		CUSTOMER DRAWING		SCALE 4:1 SHEET 1 OF 2 REV D1	
4 PLC ± -					
ANGLES ± -					
FINISH -					

THIS DRAWING IS UNPUBLISHED. RELEASED FOR PUBLICATION
 © COPYRIGHT - By TE Connectivity ALL RIGHTS RESERVED.

LOC	DIST	REVISIONS				
P	LTR	DESCRIPTION	DATE	DWN	APVD	
HB	-	SEE SHEET 1	-	-	-	

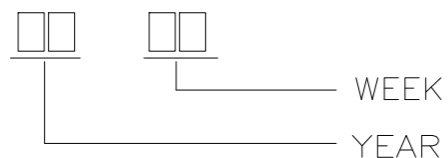
1440003-1	SDT-S-124DMR2	24V	SDT-S-124DMR2	d
9-1440002-8	SDT-S-109DMR2	9V	SDT-S-109DMR2	c
8-1419125-4	SDT-S-106DMR2	6V	SDT-S-106DMR2	b
9-1440002-6	SDT-S-105DMR2	5V	SDT-S-105DMR2	a
TE PART NO	TE TYPE NAME	PART B	PART A	TYPE

RELAY TYPE

UL-94V-0		PPS (D)	CARD	14
		EPOXY RESIN	RESIN	13
		UEW	MAGNETIC WIRE	12
UL-94V-0		PBT	BOBBIN	11
	SOLDER DIP	CP WIRE	COIL TERMINAL	10
UL-94V-0		PBT	CASE	9
		Ag ALLOY	STATIONARY CONTACT	8
		Ag ALLOY	MOVABLE CONTACT	7
		Cu ALLOY	HINGE SPRING	6
	SOLDER DIP	Cu ALLOY	STATIONARY TERMINAL	5
	SOLDER DIP	Cu ALLOY	MOVABLE SPRING	4
		STEEL	CORE	3
		STEEL	ARMATURE	2
		STEEL	YOKE	1
INCOMBUSTIBILITY	TREATMENT	MATERIAL	DESCRIPTION	ITEM

NOTE:

(B) 1.LOT NO. SYSTEM AS FOLLOWING:



(C) 2.TERMINAL DIMENSIONS BEFORE SOLDER DIP

(C) 3.FOR THE TIN-PLATING OF THE PINS: +0.1mm FOR WIDTH, THICKNESS AND DIAMETER
 +0.5mm FOR LENGTH

THIS DRAWING IS A CONTROLLED DOCUMENT.		DWN H.SASAKI		TE Connectivity	
DIMENSIONS: mm		CHK N.FUNAYAMA			
		APVD A.NAGAI		NAME	
TOLERANCES UNLESS OTHERWISE SPECIFIED:		PRODUCT SPEC		SDT-DMR2 CUSTOMER DRAWING	
0 PLC ± -		APPLICATION SPEC		SIZE	
1 PLC ± -		-		CAGE CODE	
2 PLC ± -		-		DRAWING NO	
3 PLC ± -		-		RESTRICTED TO	
4 PLC ± -		-		A3 00779 C-9-1440002-9	
ANGLES ± -		WEIGHT		SCALE	
FINISH		-		4:1	
-		-		SHEET	
-		-		2 OF 2	
-		-		REV	
-		-		D1	