

C1608C0G2A331J080AE

TDK Item Description : C1608C0G2A331JT***S

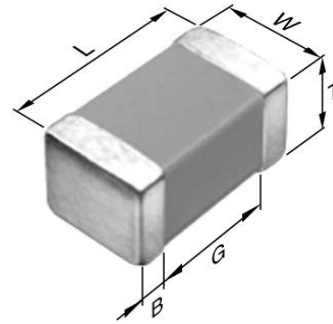


Application & Main Feature

Commercial Grade (Soft Termination)

Series

C1608 [EIA CC0603]



Dimensions

| | |
|---|---------------------|
| L | 1.60mm +0.2,-0.1mm |
| W | 0.80mm +0.15,-0.1mm |
| T | 0.80mm +0.15,-0.1mm |
| B | 0.20mm Min. |
| G | 0.30mm Min. |

Temperature Characteristic

C0G (-55 to 125 degC 0+/-30ppm/degC)

Rated Voltage

2A (100Vdc)

Capacitance

330pF

Capacitance Tolerance

J (+/-5%)

Q Factor

1000 Min.

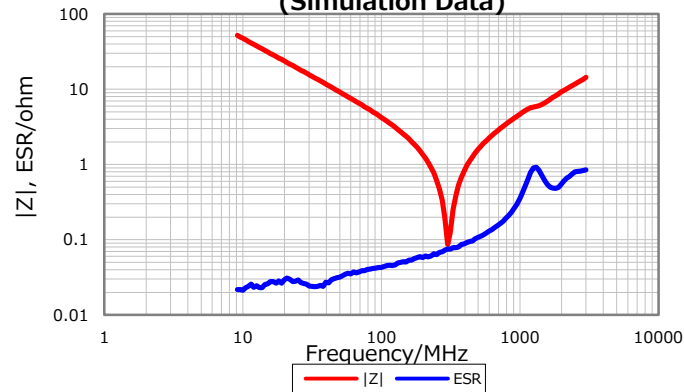
Insulation Resistance

10Gohm Min

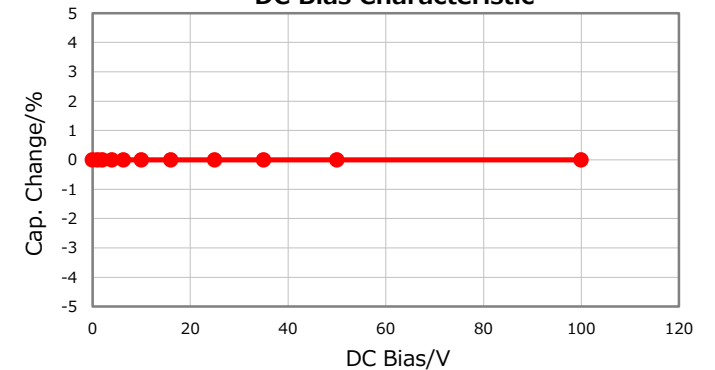
AEC-Q200

Not Applicable

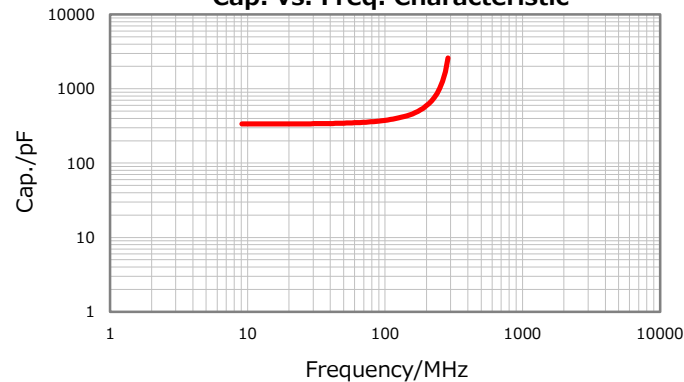
**|Z|, ESR vs. Freq. Characteristics
(Simulation Data)**



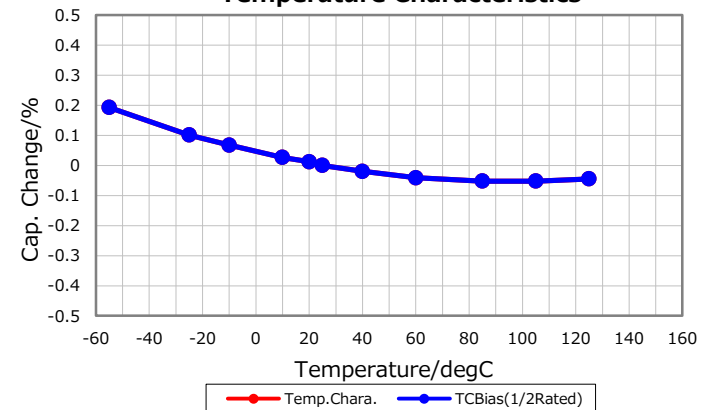
DC Bias Characteristic



Cap. vs. Freq. Characteristic



Temperature Characteristics



Characterization Sheet (Multilayer Ceramic Chip Capacitors)



All specifications are subject to change without notice.

May 12, 2017