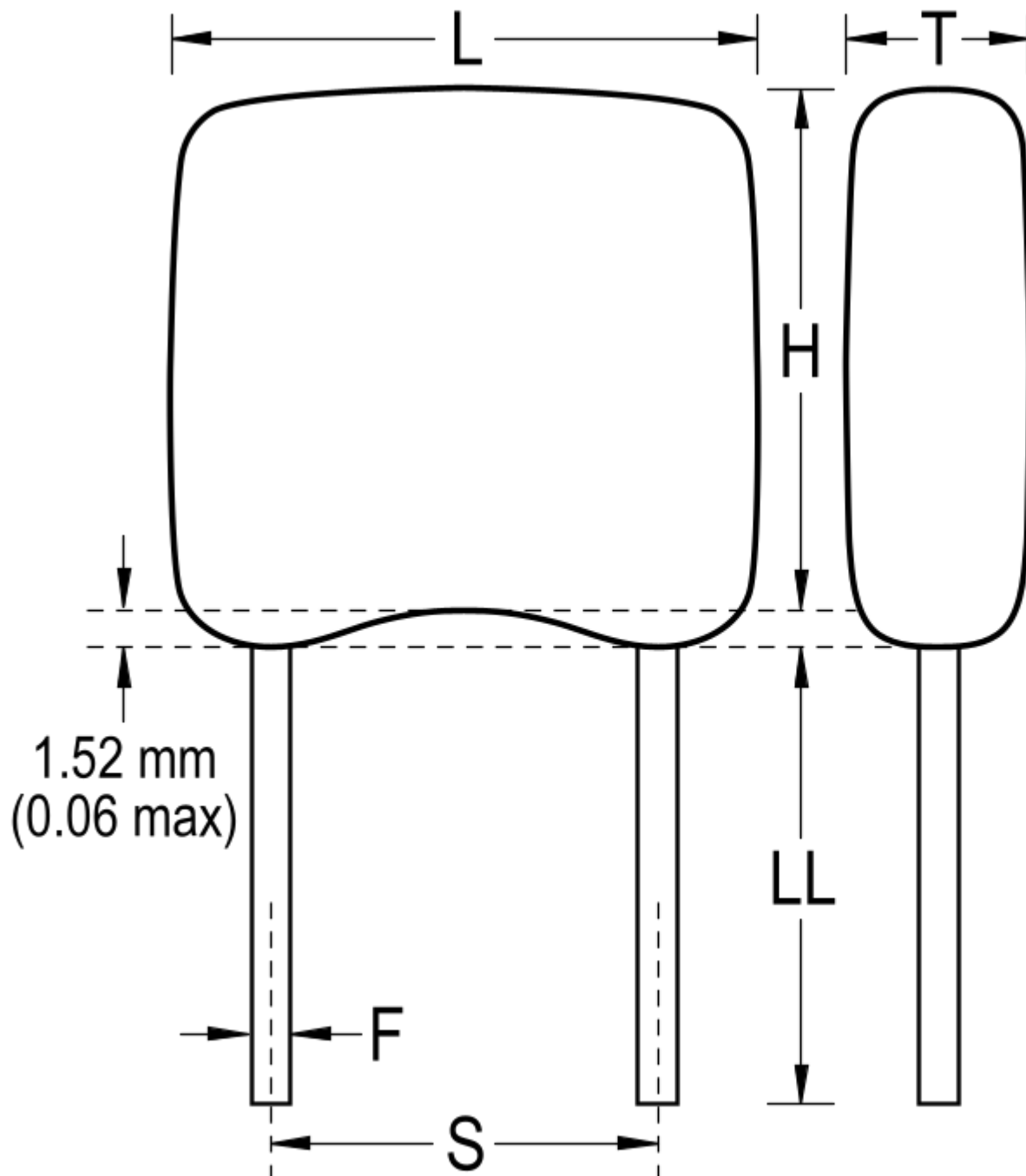


C315C153J1H5TA9170

GoldMax 300 Auto X8R HT150C, Ceramic, 0.015 uF, 5%, 100 VDC, X8R, GoldMax, Automotive Grade,
Lead Spacing = 2.54mm



Click [here](#) for the 3D model.

Dimensions

- L 3.81mm MAX
- H 3.14mm MAX
- T 2.54mm MAX
- S 2.54mm +/-0.78mm

Dimensions

LL 7mm MIN

F 0.51mm +0.1/-0.025mm

Packaging Specifications

Packaging Bulk, Bag

Packaging Quantity 500

General Information

Series GoldMax 300 Auto X8R HT150C

Style Radial

Description GoldMax, Automotive Grade

Features Automotive Grade

RoHS Yes

Termination Tin

Failure Rate N/A

Qualifications AEC-Q200

AEC-Q200 Yes

Halogen Free Yes

Specifications

Capacitance	0.015 uF
Measurement Condition	1 MHz 1.0Vrms
Capacitance Tolerance	5%
Voltage DC	100 VDC
Dielectric Withstanding Voltage	250 VDC
Temperature Range	-55/+150°C
Temperature Coefficient	X8R
Capacitance Change with Reference to +25°C and 0 VDC Applied (TCC)	+15%/-40%, 1kHz 1.0Vrms
Dissipation Factor	2.5% 1 MHz 1.0Vrms
Aging Rate	3% Loss/Decade Hour
Insulation Resistance	66.67 GOhms

Statements of suitability for certain applications are based on our knowledge of typical operating conditions for such applications, but are not intended to constitute - and we specifically disclaim - any warranty concerning suitability for a specific customer application or use. This Information is intended for use only by customers who have the requisite experience and capability to determine the correct products for their application. Any technical advice inferred from this Information or otherwise provided by us with reference to the use of our products is given gratis, and we assume no obligation or liability for the advice given or results obtained.

Generated 5/18/2023 - 9d65b70c-27be-4b72-a493-23b04720f2c5

© 2006 - 2023 KEMET

Generated 5/18/2023 - 9d65b70c-27be-4b72-a493-23b04720f2c5

© 2006 - 2023 KEMET