

CGB2T1X5R0G474M022BC

TDK Item Description : CGB2T1X5R0G474MT****

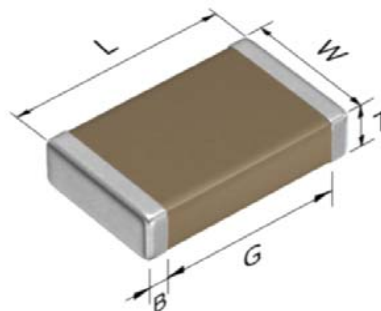


Application & Main Feature

Commercial Grade (Low Profile)

Series

CGB2(1005) [EIA CC0402]



Dimensions

L 1.00mm +/-0.05mm
 W 0.50mm +/-0.05mm
 T 0.19mm +/-0.03mm
 B 0.10mm Min.
 G 0.30mm Min.

Temperature Characteristic

X5R (-55 to 85 degC +/-15%)

Rated Voltage

0G (4Vdc)

Capacitance

470nF

Capacitance Tolerance

M (+/-20%)

Dissipation Factor

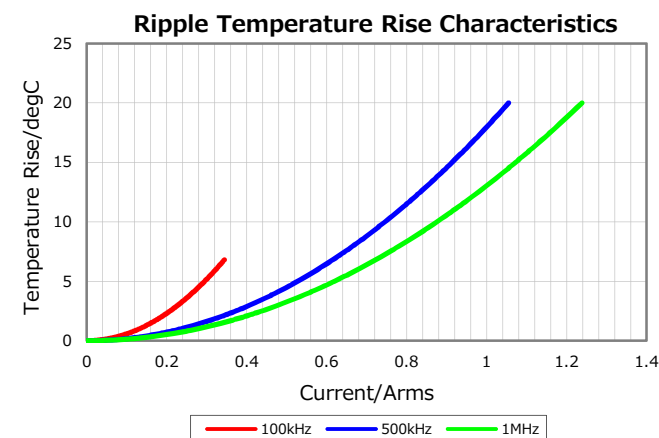
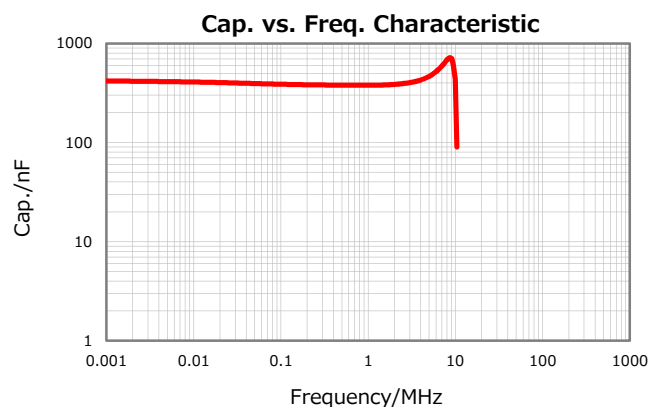
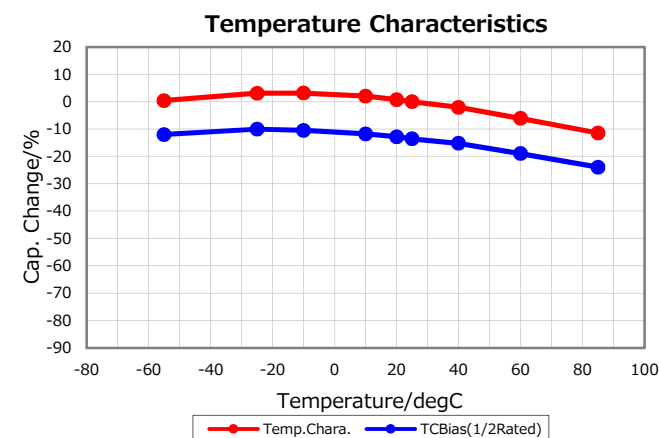
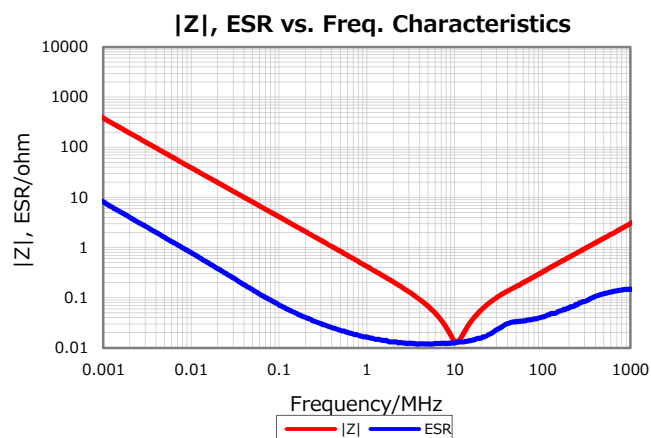
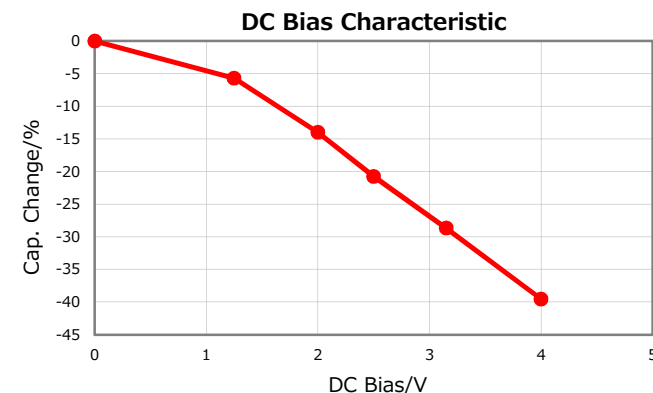
10% Max.

Insulation Resistance

212Mohm Min.

AEC-Q200

Not Applicable



Characterization Sheet (Multilayer Ceramic Chip Capacitors)



All specifications are subject to change without notice.

November 26, 2018