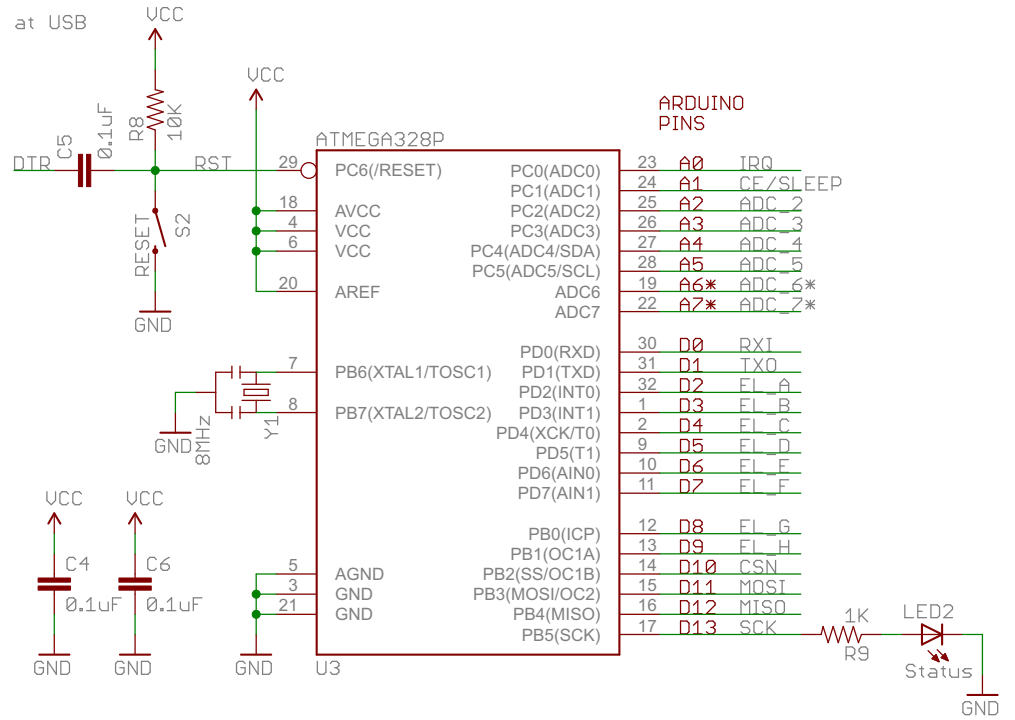
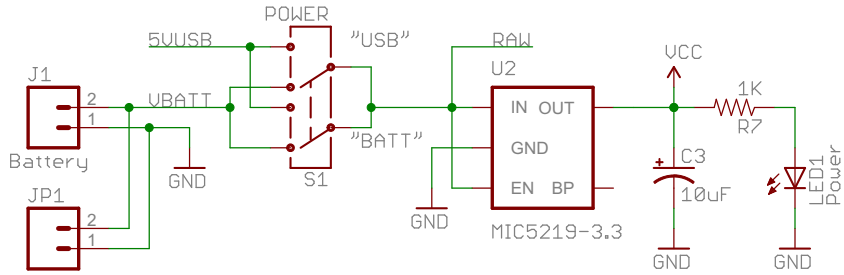
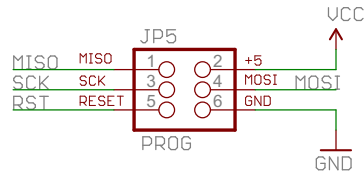
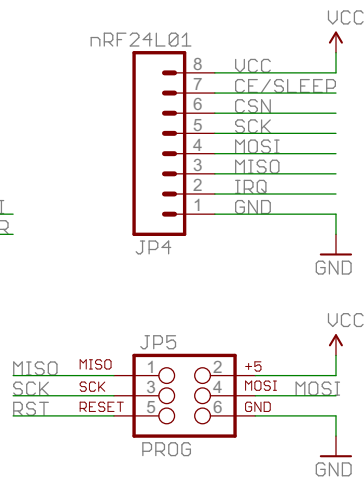
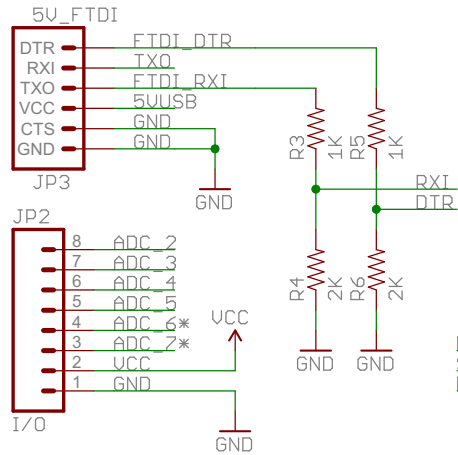


Input voltage (UBATT or 5UUSB):
 3.5V - 16V to operate ATmega
 > 4.8V if using LM317 regulator at default 3.3V DC output to inverter
 > (DC to inverter + 1.5V) if using LM317 regulator at a custom voltage
 Note that input voltage can be passed directly to inverter by closing SJ1
 Warning: if SJ1 is closed, inverter will see 5V with FTDI plugged in and switch at USB

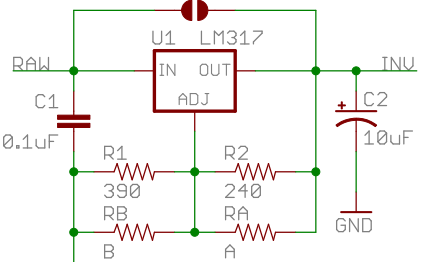


ARDUINO PINS

23	A0	IRQ
24	A1	CF/SLEEP
25	A2	ADC_2
26	A3	ADC_3
27	A4	ADC_4
28	A5	ADC_5
19	A6*	ADC_6*
22	A7*	ADC_7*
30	D0	RXI
31	D1	TXD
32	D2	FL_A
1	D3	FL_B
2	D4	FL_C
9	D5	FL_D
10	D6	FL_E
11	D7	FL_F
12	D8	FL_G
13	D9	FL_H
14	D10	CSN
15	D11	MOST
16	D12	MISO
17	D13	SCK

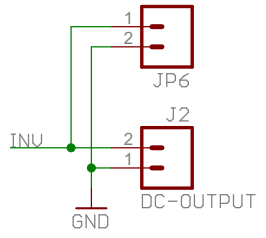


3.3V regulator for external inverter
 Short SJ1 to bypass regulator

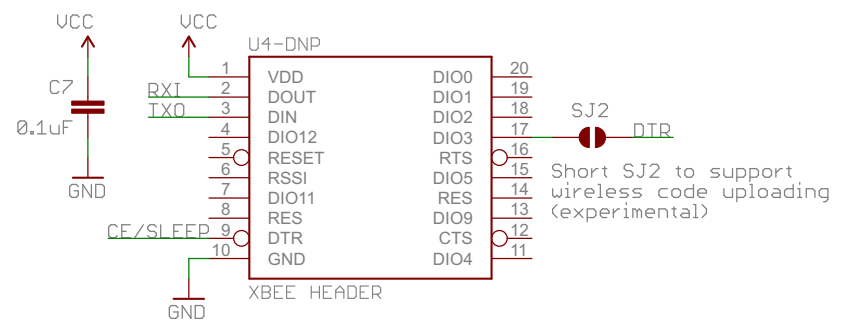
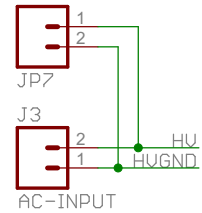


RA, RB pads for user-supplied PTH resistors to change regulator output voltage (remove SMD resistors R1, R2 first) See LM317 datasheet for values

DC TO INVERTER



AC FROM INVERTER



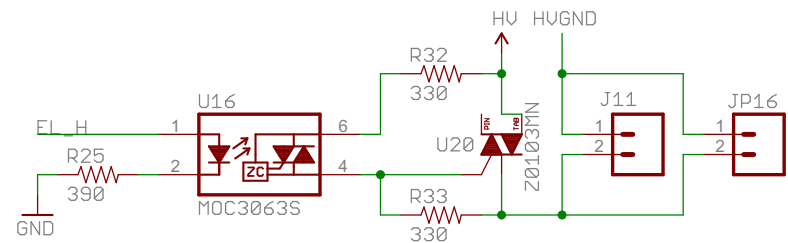
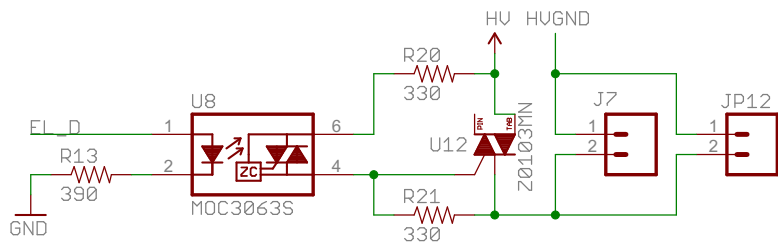
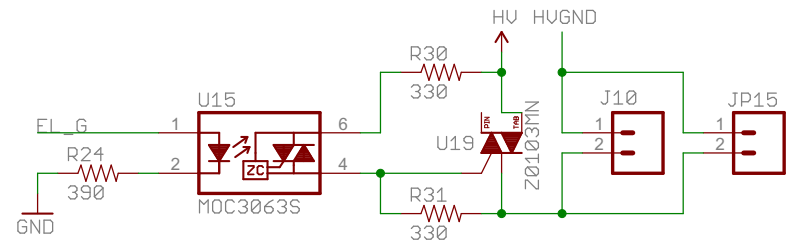
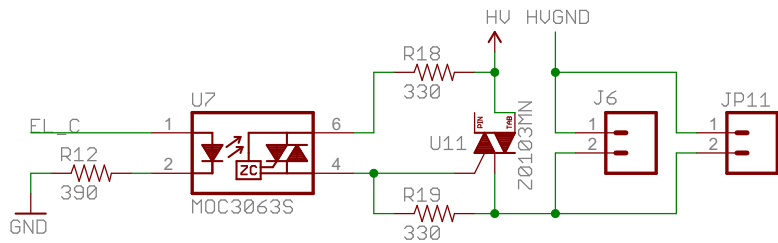
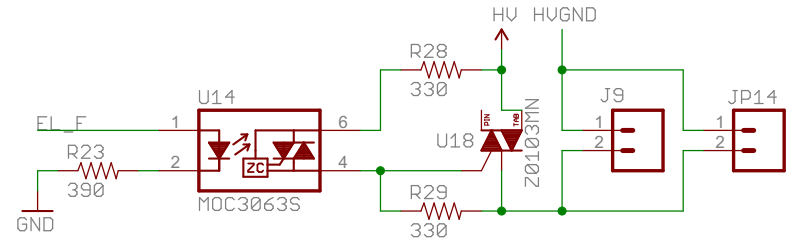
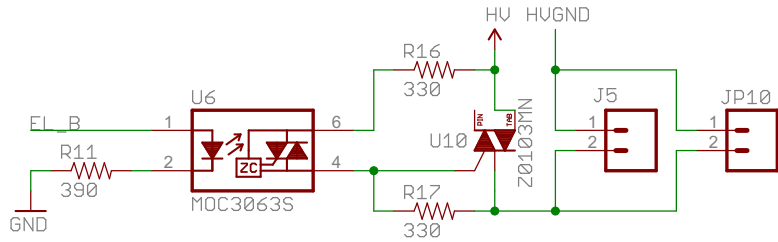
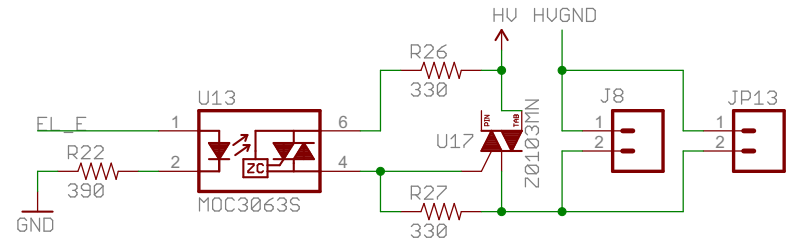
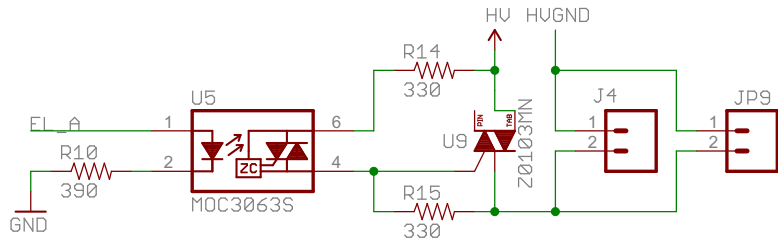
Unplug XBEE to allow FTDI programming

Released under the Creative Commons Attribution Share-Alike 3.0 License
<http://creativecommons.org/licenses/by-sa/3.0>

TITLE: EL_Sequencer_V21	SFE	SFE
Design by: N. Seidle, M. Grusin	REV: 2.1	
Date: 8/23/2012 2:52:50 PM	Sheet: 1/2	

* A6, A7 are analog input only. A0-A5 can be analog input or digital I/O





Released under the Creative Commons Attribution Share-Alike 3.0 License <http://creativecommons.org/licenses/by-sa/3.0>

TITLE: EL_Sequencer_V21

Design by:

N. Seidle, M. Grusin

REV:
2.1

Date: 8/23/2012 2:52:50 PM

Sheet: 2/2