



PART NAME

STANDARD MOUNTING BRACKETS

PART No.

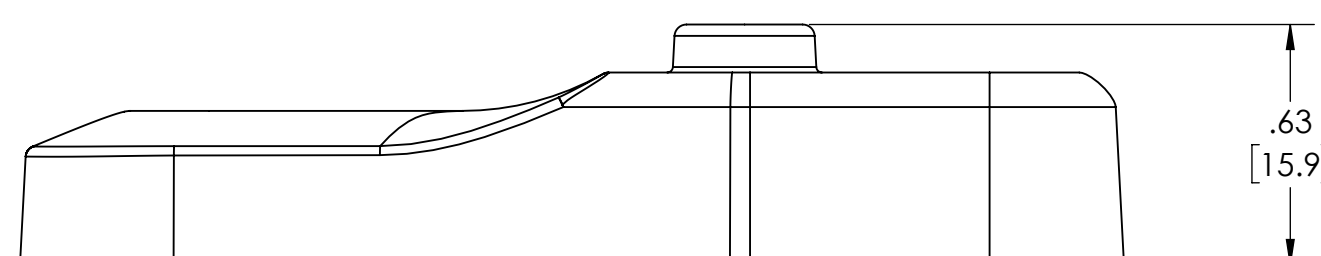
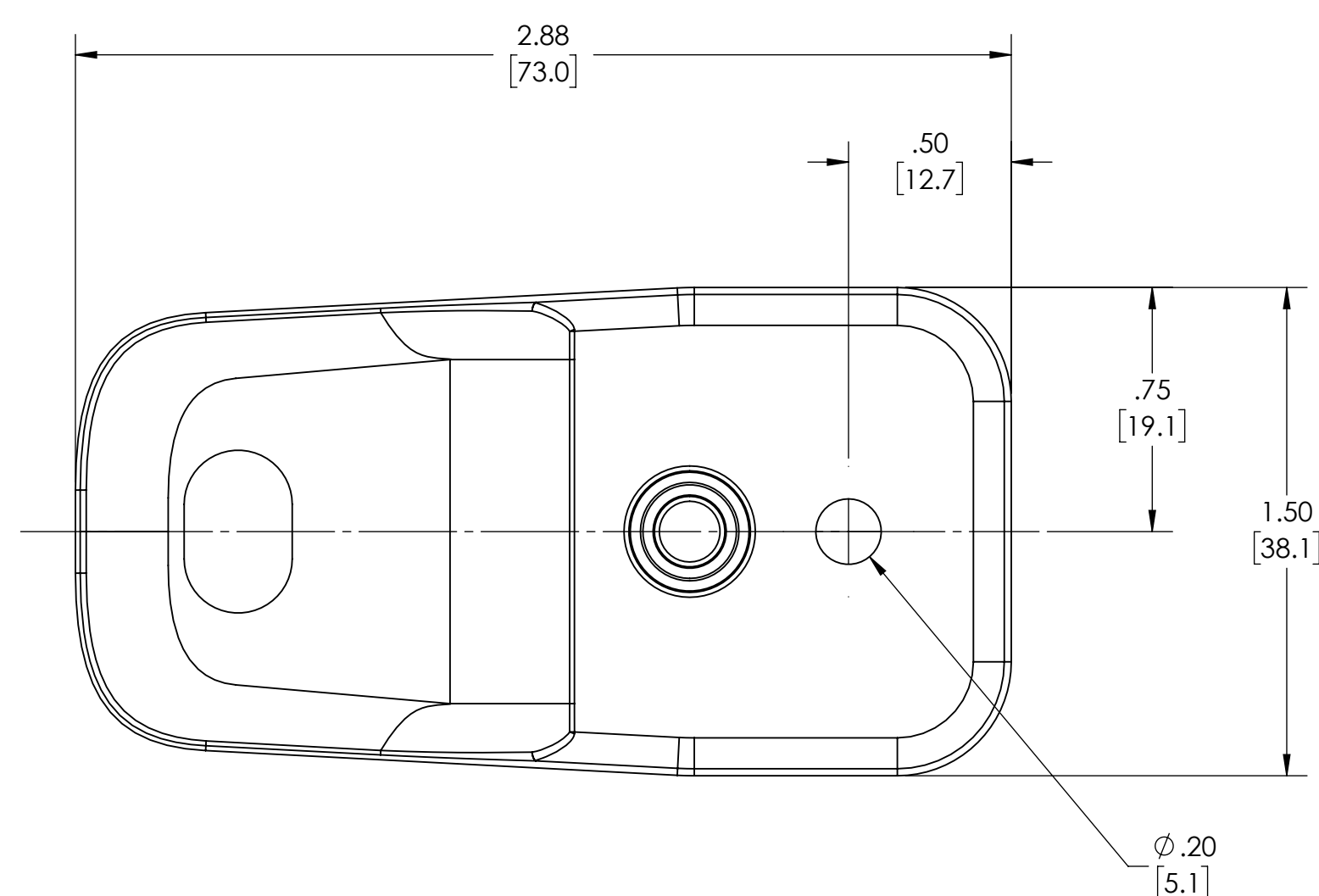
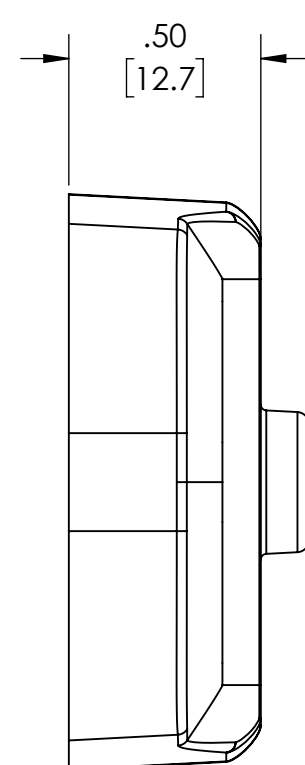
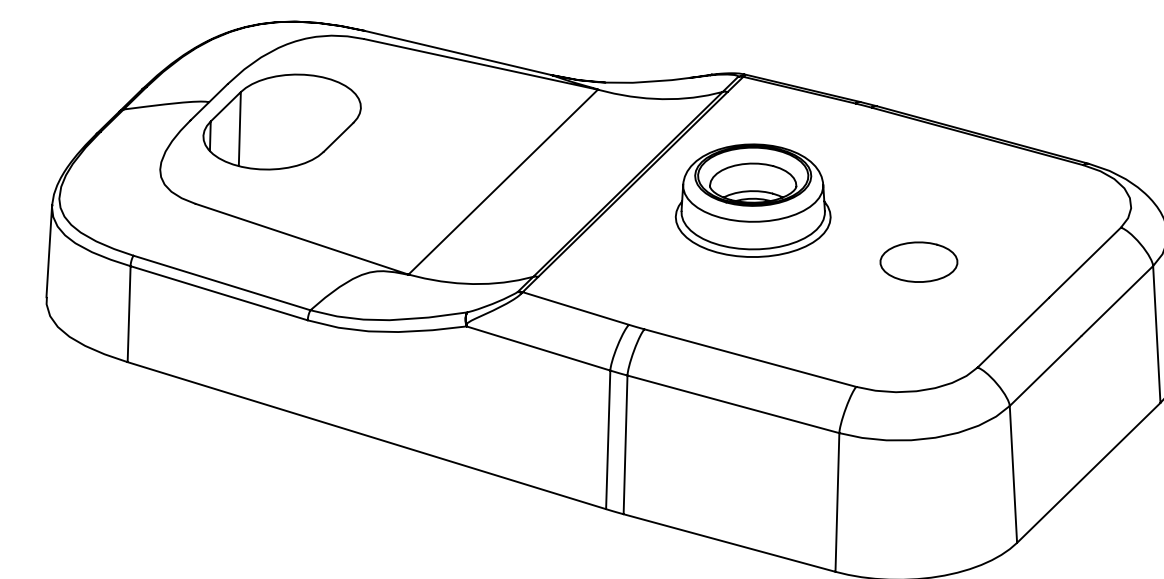
DPX-100KIT

REVISION DATE

2/22/21

NOTES:

- 1. MATERIAL: POLYCARBONATE
- 2. QTY PER KIT - 4
- 3. STANDARD BRACKETS ARE INCLUDED BUT CAN BE PURCHASED SEPERATLEY AS A REPLACEMENT.
- 4. SUPPLIED WITH DPX-103275X (X 4#10-32 X 3/4" LONG, PAN HEAD, EACH PHILLIPS, SS FOR DPH/S SERIES)



DRAWING FOR REFERENCE

WE RESERVE THE RIGHT TO MAKE CHANGES TO OUR STANDARD PRODUCTS. PLEASE CONSULT WITH BUD INDUSTRIES PRIOR TO USING THIS DRAWING FOR DESIGN PURPOSE.