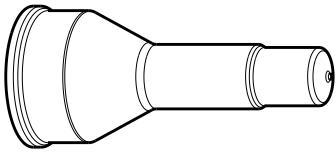
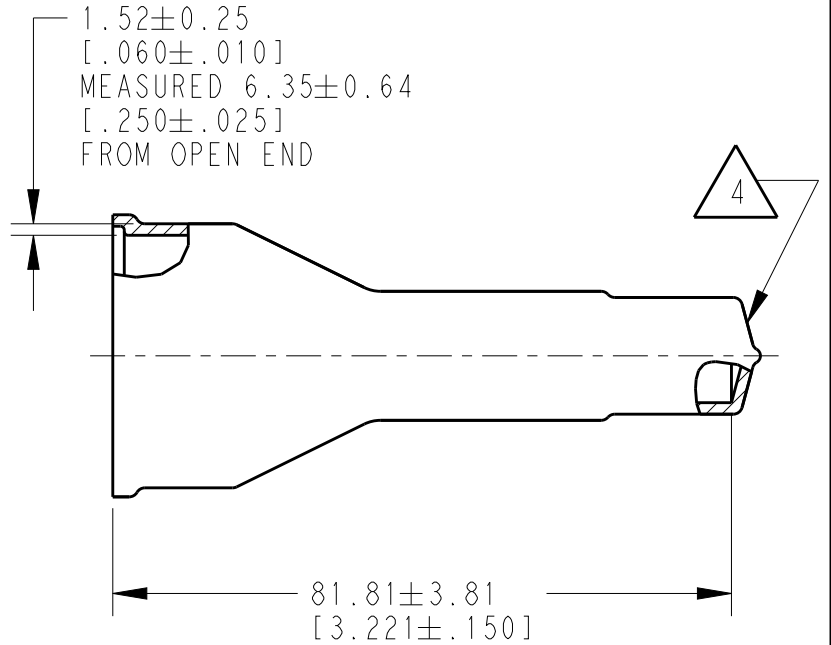
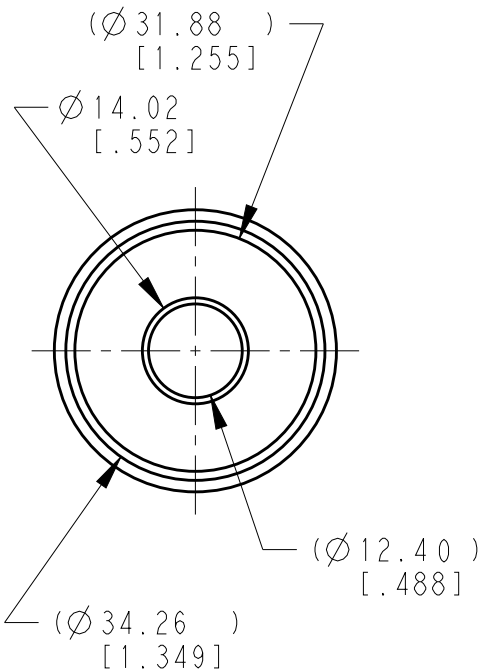


LOC	DIST	REVISIONS				
P	LTR	DESCRIPTION	DATE	DWN	APVD	
	A	NEW RELEASE	27AUG2014	DM	DM	
	A1	REVISED PER PCN E-19-017134	05NOV2019	JA	IG	



SCALE 1:2



- 4 SMALL MATERIAL EXTENSION IS ACCEPTABLE ON THIS END ALL AROUND,
- THIS ACCESSORY PART IS PROVIDED WITHOUT TYPICAL TRANSPORTATION INDUSTRY PROCESS CONTROL. NO VALIDATION TESTING HAS BEEN PERFORMED. CUSTOMER IS RESPONSIBLE FOR DETERMINING PRODUCT PERFORMANCE AND SUITABILITY FOR APPLICATION.
 - TEMPERATURE RATING: -29° TO +100°C [-20°F TO +121°F].
 - THIS PART IS USED ON:
 HD10-9-XXX RECEPTACLES
 HD14-9-XXX RECEPTACLES
 HD16-9-XXX PLUG
 WHERE XXX IS PIN ARRANGEMENTS

NOTES:

TE INTERNAL PN	DEUTSCH PN
HD10-9BT-BK	HD10-9BT-BK

2019
 RELEASED FOR PUBLICATION
 THIS DRAWING IS UNPUBLISHED.
 © COPYRIGHT 2014
 TE Connectivity. All Rights Reserved.

DIMENSIONS:	
mm	[INCHES]
TOLERANCES UNLESS OTHERWISE SPECIFIED:	
0 PLC	±
1 PLC	±
2 PLC	±
3 PLC	±0.64 [.025]
4 PLC	±
ANGLES	±5°

DWN	D.MEYER	27AUG2014
CHK	I. GRANTCHAROVA	27AUG2014
APVD	D.MEYER	27AUG2014
PRODUCT SPEC		
APPLICATION SPEC		
WEIGHT	9.08g	

MATERIAL	PVC	FINISH	BLACK
TE Connectivity			
NAME			
BOOT, RECEPTACLE, SIZE 9 HD10 SERIES			
SIZE	CAGE CODE	DRAWING NO	RESTRICTED TO
A 4	4AFU8	©-HD10-9BT-BK	-

CUSTOMER DRAWING	SCALE	1:1	SHEET	1	OF	1	REV	A1
------------------	-------	-----	-------	---	----	---	-----	----