

Type LPR-01 In-Line Fuse Holder Automotive Blade Fuses - APRs



www.optifuse.com (619) 593-5050

Ratings:

- Fuse Type:** Automotive Blade - APR
- Electrical Rating:** 32VAC
- Body:** PVC
- Contacts:** Brass
- Standard Wire Sizes:** #12 ~ #16 AWG
- Standard Wire Colors:** See table
- Standard Body colors:** Black and Yellow
- Standard Wire Length:** 4 inches

Wire Gauge	Standard Wire Colors	Max. Amperage
#12	Yellow, Orange, Red	30A
#14	Red, Black	20A
#16	Red, Black	15A

Part number format

LPR-01X-##Z

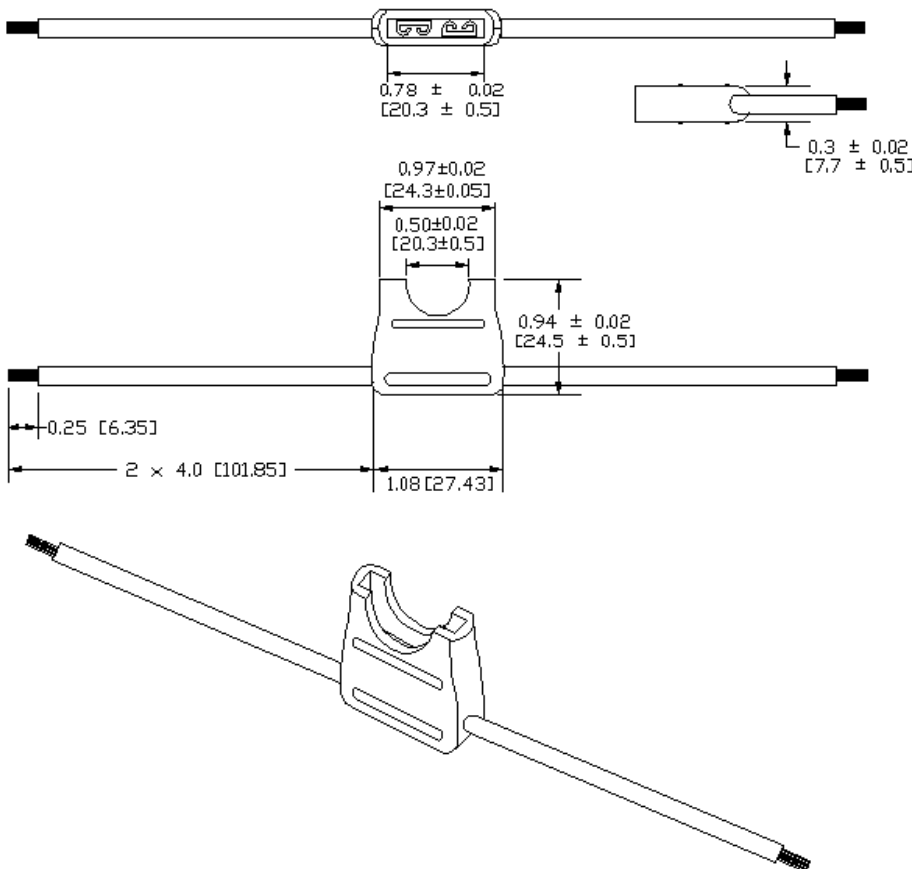
where **X** = Body color

= Wire gauge

Z = Wire color

Available in various wire gauges and lengths, and body and wire colors.
Contact factory for those not listed above.

Mechanical Dimensions: Inches [mm]



Warning:



- Operation beyond the specified maximum ratings or improper use may result in damage and possible electrical arcing and/or flame.
- Avoid contact of device with chemical solvent. Prolonged contact will damage the device performance.
- Not designed for prolonged liquid exposure or submersible applications.