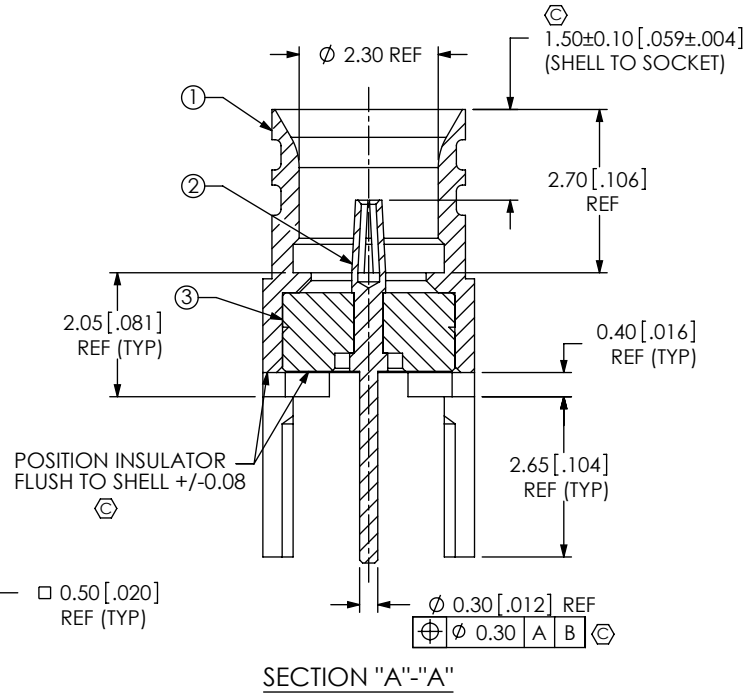
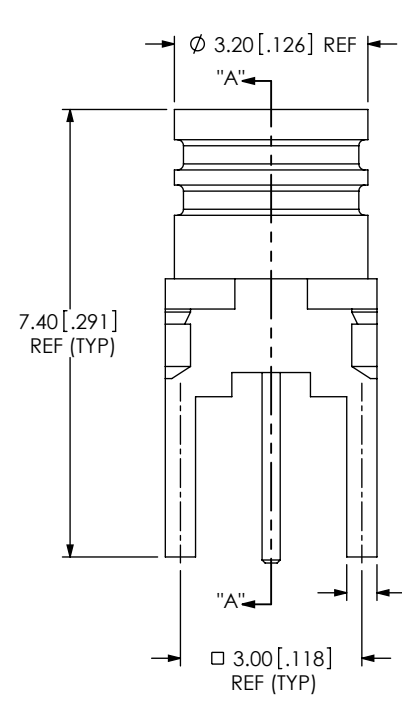
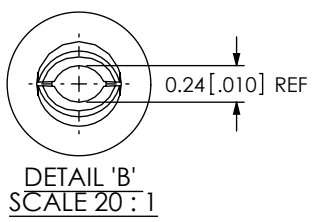
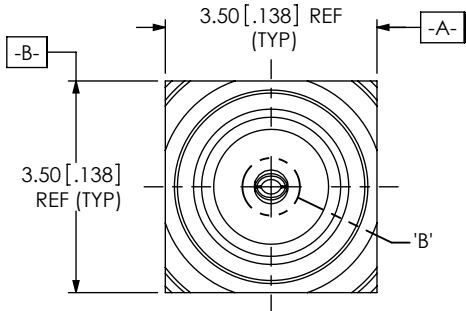


DO NOT SCALE FROM THIS PRINT

TABLE 1			
ITEM	COMPONENT	-HF	-GF
1	SHELL	GRF7V-J-P-F-ST-TH1-SHL	
2	SOCKET	GRF7-J-P-H-ST-TH1-SKT	GRF7-J-P-G-ST-TH1-SKT
3	INSULATOR	GRF7-J-P-ST-INS	



MMCX7-J-P-XX-ST-TH1

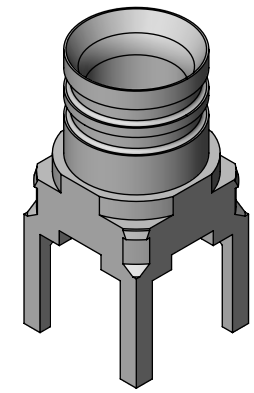
TERMINATION
-TH1: THROUGH HOLE

ORIENTATION
-ST: STRAIGHT

GENDER
-J: JACK

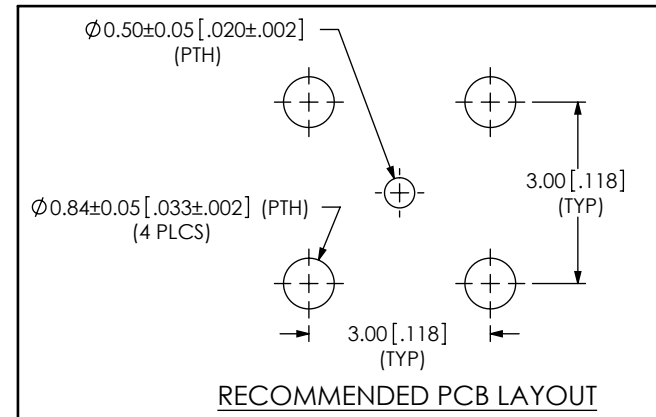
TYPE
-P: PCB

PLATING SPECIFICATION
-HF: 30µ" GOLD CENTER CONTACT,
3µ" GOLD OUTER CONTACT
-GF: 10µ" GOLD CENTER CONTACT,
3µ" GOLD OUTER CONTACT
(SEE TABLE 1)



MMCX7-J-P-XX-ST-TH1-ASM SHOWN

FIG 1
MMCX7-J-P-XX-ST-TH1-ASM SHOWN



RECOMMENDED PCB LAYOUT

NOTES:

1. Ⓢ REPRESENTS A CRITICAL DIMENSION.
 2. MINIMUM PUSHOUT FORCE FOR INSULATOR: 22.24N [5.0 LBS].
 3. MINIMUM PUSHOUT FORCE FOR CENTER CONTACT: 11.12N [2.5 LBS].
 4. PRODUCT TO BE PACKAGED PER PACKING STANDARD CO-HD-WI-3040-M.
- TRAY: TY-SMA001-1
COVER: TY-SMA001-2
200 PARTS PER TRAY (2 PARTS PER POCKET)

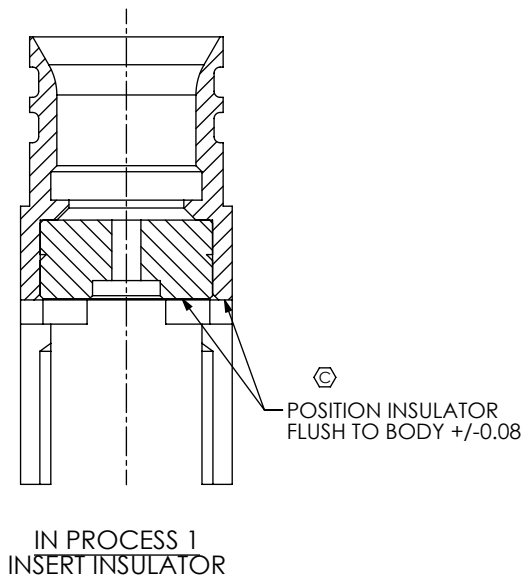
UNLESS OTHERWISE SPECIFIED, DIMENSIONS ARE IN MILLIMETERS [INCHES].
TOLERANCES ARE:
DECIMALS ANGLES
X.X: ±0.3 [.01] 5°
X.XX: ±0.13 [.005]
X.XXX: ±0.051 [.0020]

PROPRIETARY NOTE
THIS DOCUMENT CONTAINS INFORMATION CONFIDENTIAL AND PROPRIETARY TO SAMTEC, INC. AND SHALL NOT BE REPRODUCED OR TRANSFERRED TO OTHER DOCUMENTS OR DISCLOSED TO OTHERS OR USED FOR ANY PURPOSE OTHER THAN THAT WHICH IT WAS OBTAINED WITHOUT THE EXPRESSED WRITTEN CONSENT OF SAMTEC, INC.

MATERIAL: DO NOT SCALE DRAWING SHEET SCALE: 8:1
SHELL: BRASS
SOCKET: BeCu
INSULATOR: PTFE

samtec
520 PARK EAST BLVD., NEW ALBANY, IN 47150
PHONE: 812-944-6733 FAX: 812-948-5047
e-Mail: info@SAMTEC.com code 55322

DESCRIPTION:
MMCX STRAIGHT THROUGH HOLE, JACK- 75 OHM
DWG. NO.
MMCX7-J-P-XX-ST-TH1
BY: ALVINW 10/08/2011 SHEET 1 OF 2



PROPRIETARY NOTE
 THIS DOCUMENT CONTAINS INFORMATION
 CONFIDENTIAL AND PROPRIETARY TO
 SAMTEC, INC. AND SHALL NOT BE REPRODUCED
 OR TRANSFERRED TO OTHER DOCUMENTS OR
 DISCLOSED TO OTHERS OR USED FOR ANY
 PURPOSE OTHER THAN THAT WHICH IT WAS
 OBTAINED WITHOUT THE EXPRESSED WRITTEN
 CONSENT OF SAMTEC, INC.

DO NOT SCALE DRAWING

SHEET SCALE: 8:1

samtec

520 PARK EAST BLVD, NEW ALBANY, IN 47150
 PHONE: 812-944-6733 FAX: 812-948-5047
 e-Mail info@SAMTEC.com code 55322

DESCRIPTION:
 MMCX STRAIGHT THROUGH HOLE, JACK- 75 OHM

DWG. NO. **MMCX7-J-P-XX-ST-TH1**

BY: ALVINW 10/08/2011 SHEET 2 OF 2