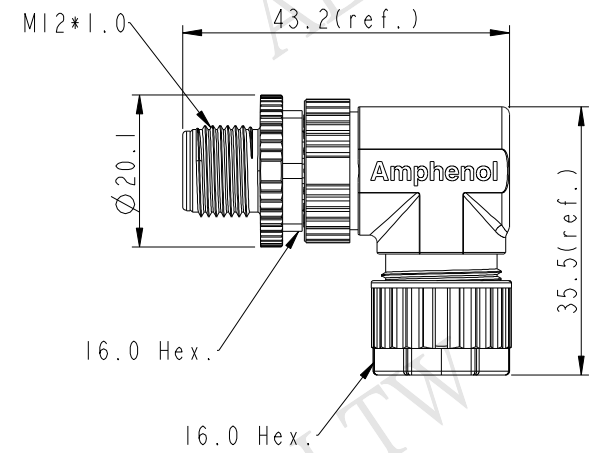
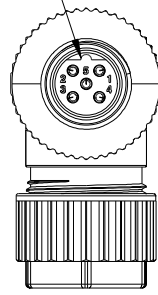
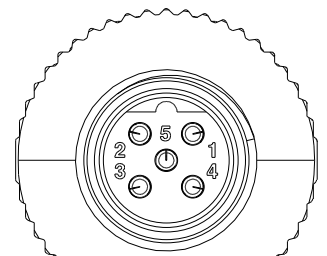
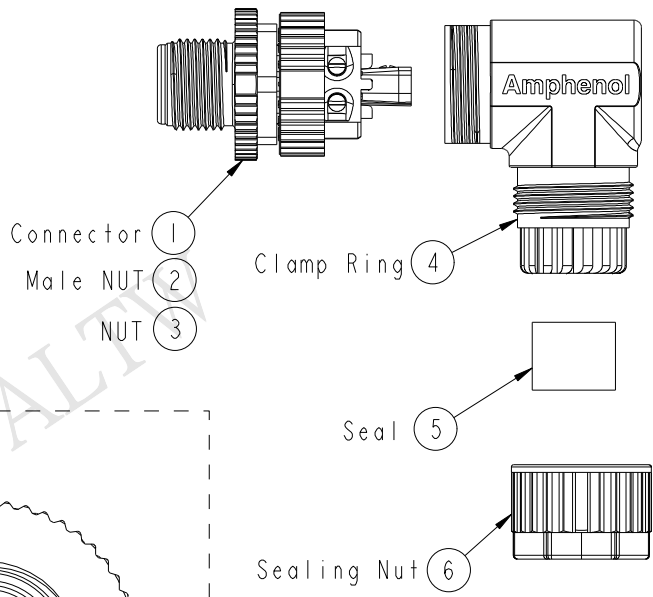


REV.	ECN NO.	DATE	SIGN	DESCRIPTION
A	Initial Release	2015/10/12	Mila	Change Rev. I To Rev.A

ALTW
CONFIDENTIAL
 2015-10-12
 R&D DEPT.

360° Adjustable Key Code Direction



ALTW
 DCC. DEPT.
 CONFIDENTIAL
 2015.10.28
 ISSUED

UNIT:mm
 TOLERANCE
 ±0.5mm

TITLE
 M12 B-Code 90° Unshielded Assy
 5Pin M Conn. M Pin

SCALE	SIZE	SHEET	OF
1:1	A4	1	2
REV.	WC-REV.	QC: Inspection item	
A	A.1		

Amphenol LTW
 安費諾亮泰企業股份有限公司

ITEM NO	MSBP-05BMMB-SR7001	DRAWN BY	Mila	DATE	2015-10-12
DWG NO	MSBP-05BMMB-SR7001	CHECKED BY	Cary	DATE	2015-10-12
CUSTOMER	ALTW	APPROVED BY	Jerry	DATE	2015-10-12

THIS DOCUMENT IS SUBJECT TO CHANGE WITHOUT NOTICE. IT IS CONFIDENTIAL AND A PROPERTY OF Amphenol LTW. DISCLOSURE TO THIRD PARTY HAS TO BE AUTHORIZED BY Amphenol LTW.

1 2 3 4 5 6 7 8

F

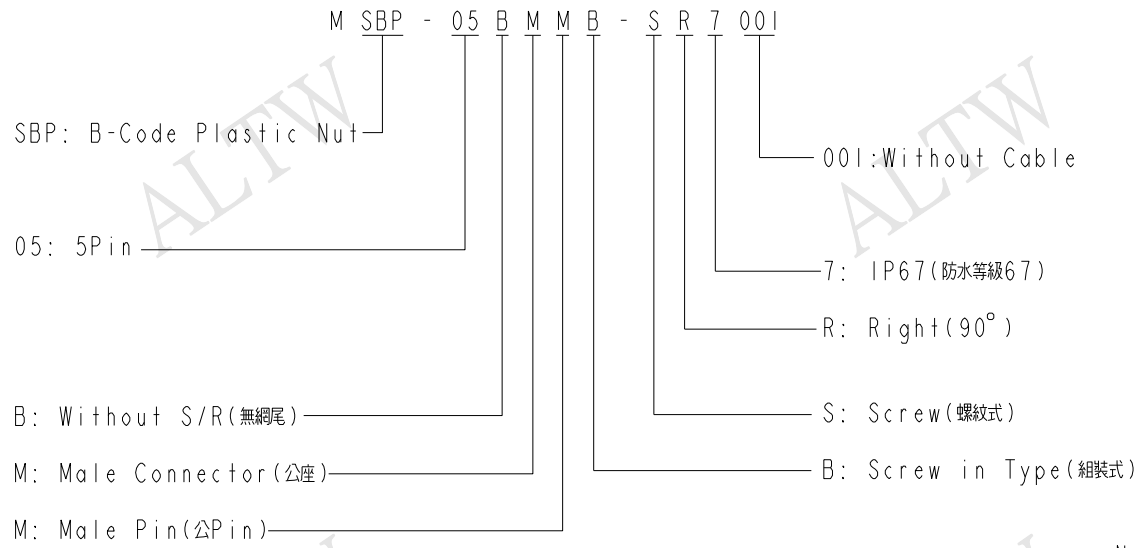
E

D

C

B

A



- Note:
- * $\text{\textcircled{C}}$ Important Dimension To Check.
 - * Waterproof Rate: IP67(Mated)
 - * Housing: Nylon,Black
 - * Male Pin: Copper Alloy, Gold Plated
 - * Male Nut: PBT+PC,Black
 - * Nut: PBT+PC,Black
 - * O-Ring: Silicon, Grey
 - * Clamp Ring: Nylon,Black
 - * Sealing Nut: PBT+PC,Black
 - * Seal: Silicon, Grey
 - * Seal For Cable OD: $\text{\textcircled{O}}$ 4.0mm~ $\text{\textcircled{O}}$ 7.0mm
 - * Screws for Wire connection recommended tightening torque: 0.61~0.84 kgf.cm / 0.059~0.082 N.m
 - * Applicable Wire gauge (Stranded wire cross section) 0.14mm² (26AWG) ~ 0.82mm² (18AWG)
 - * Mating Recommended tightening torque: 3~4 kgf.cm / 0.29~0.39 N.m
 - * Sealing-Nut Recommended tightening torque: 4~6 kgf.cm / 0.39~0.59 N.m
 - * Detailed applicable wire specifications may vary depending on the actual construction.

UNIT:mm		TITLE M12 B-Code 90° Unshielded Assy 5Pin M Conn. M Pin		<h2>Amphenol LTW</h2> 安費諾亮泰企業股份有限公司		ITEM NO MSBP-05BMMB-SR7001	DRAWN BY Mila	DATE 2015-10-12
TOLERANCE $\pm 0.5\text{mm}$		SCALE 1:1	SIZE A4	SHEET 2 OF 2		DWG NO MSBP-05BMMB-SR7001	CHECKED BY Cary	DATE 2015-10-12
		REV. A	WC-REV. A.1	$\text{\textcircled{C}}$: Inspection item		CUSTOMER ALTW	APPROVED BY Jerry	DATE 2015-10-12

1 2 3 4 5 6 7 8 FMM10702-01-02A1