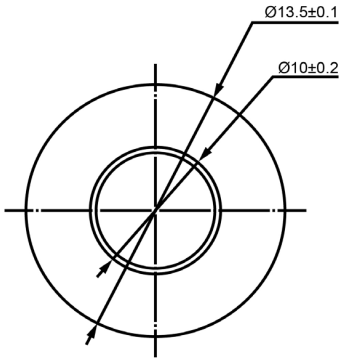
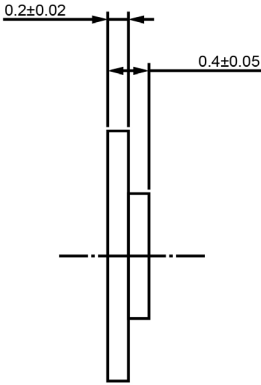


TOP VIEW



SIDE VIEW



Specifications		
Description	Value	Unit
Resonant Frequency	16,500	(Hz)
Resonant Impedance (Max)	400	(Ohm)
Max Input Voltage	30	(V)
Capacitance	6,000	(pF)
Plate Material	Stainless Steel	
Operating Temperature	-20 ~ +60	°C
Storage Temperature	-20 ~ +70	°C

Notes	
1) All dimensions are in mm unless otherwise noted	
2) All parts meet RoHS	



Revision History					
Version	Description		Date	Approved	
1	Released from Engineering		10/21/2013	J.S	
Drawn by	Date	Checked by	Date	Approved by	Date
A.B.	10/21/2013	C.E.	10/21/2013	J.S	10/21/2013

Piezo Bender

P13165-1

Additional considerations can be found at www.dbunlimitedco.com/technical-articles.