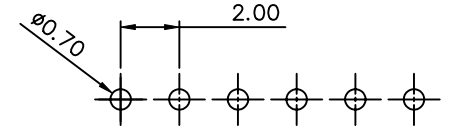
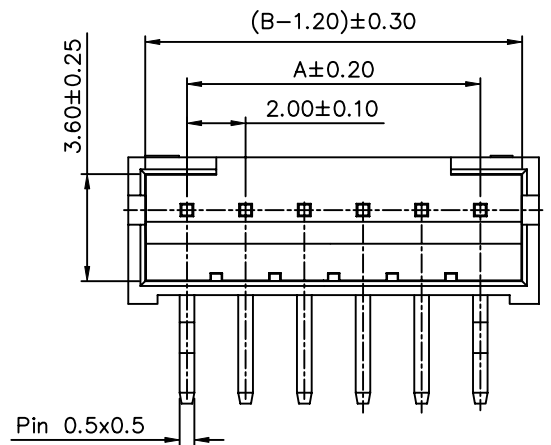
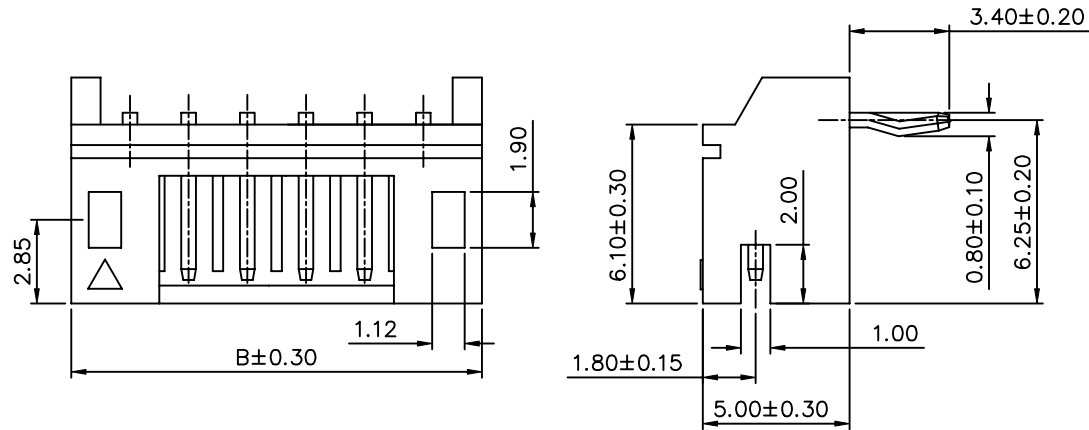


SPECIFICATION

Current Rating: 1A AC,DC
 Voltage Rating: 100V AC,DC
 Temperature Range: -25°C ~ +85°C
 Contact Resistance: 20 Milliohms Max.
 Insulation Resistance: 1000 Megaohms Min.
 Withstanding Voltage: 800V AC/Minute
 Insulator: PA66+30%GF, UL94V-0
 Pin: Brass,
 Underplated: Nickel
 Whole Tin Plated
 RoHS Compliant



Recommended P.C.B Layout(Top Side)
 P.C.B Thickness=1.20mm
 (Tolerance= ± 0.05)



Poles	Dim.A	Dim.B
2	2.00	6.00
3	4.00	8.00
4	6.00	10.00
5	8.00	12.00
6	10.00	14.00
7	12.00	16.00
8	14.00	18.00
9	16.00	20.00
10	18.00	22.00
11	20.00	24.00
12	22.00	26.00
13	24.00	28.00
14	26.00	30.00
15	28.00	32.00
16	30.00	34.00

4UCON 元化興業股份有限公司
 4UCON TECHNOLOGY INC.

DRAWING No.
 01548

APPROVED BY MEI
 CHECKED BY HZF
 DRAWING BY PEGA

UNLESS OTHERWISE SPECIFIED
 TOLERANCES ARE
 ~10 ± 0.15
 20~30 ± 0.30
 30~ ± 0.50
 ANG $\pm 2^\circ$

SCALE NONE

REV. BO

UNIT mm



NO. REV. BO NEW RELEASE HZF 12/05/2006

REVISIONS CHK DATE