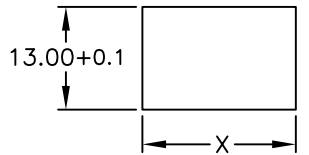
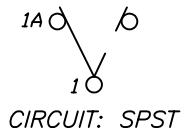


| PANEL THICKNESS       | X dimension     |
|-----------------------|-----------------|
| 0.75-1.25 [.030-.049] | 19.2-0.1 [.756] |
| 1.25-2.0 [.049-.079]  | 19.4-0.1 [.764] |
| 2.0-3.0 [.079-.118]   | 19.8-0.1 [.780] |



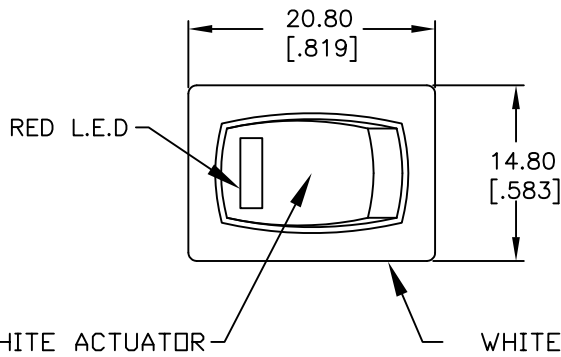
PANEL CUTOUT  
NOT TO SCALE

| SWITCH FUNCTION |        |
|-----------------|--------|
| PDS. 1          | PDS. 2 |
| ON              | OFF    |
| 1-1a            | OPEN   |



NOTES:

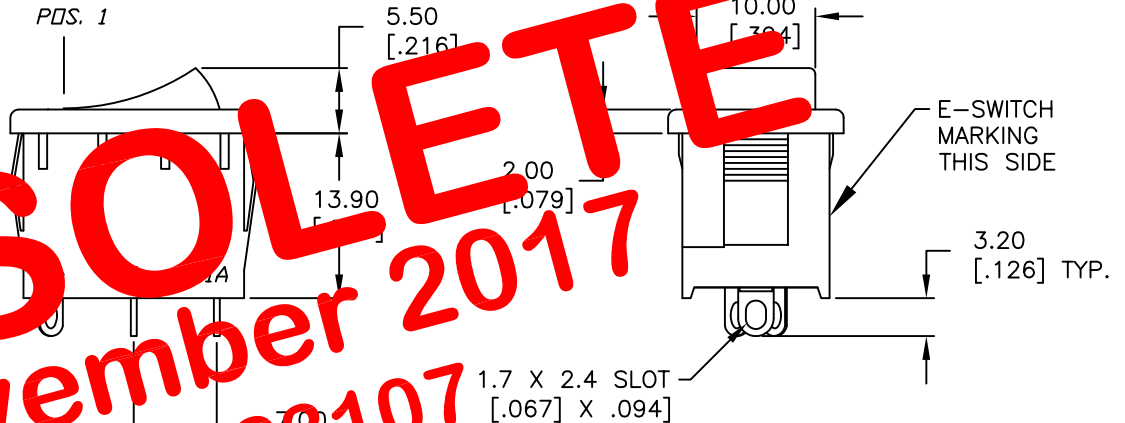
1. ALL DIMENSIONS IN MM [INCH]
2. GENERAL TOLERANCE: X.X=±0.4  
X.XX=±0.25
3. TERMINAL NUMBERS FOR REF ONLY
4. RATING: 15A @ 125VAC OR 6A @ 250VAC
5. MATERIALS: (TERMINALS) SILVER PLATED COPPER  
(CONTACTS) COIN SILVER, SILVER PLATED.
6. CONTACT RESISTANCE: <20 Mega
7. ELECTRICAL LIFE: 10,000 cycles
8. INSULATION RESISTANCE: >1000 Mega
9. DIELECTRIC STRENGTH: >1500V 1 minute  
>3000V between Poles
10. OPERATING TEMP.: -25°C to +85°C



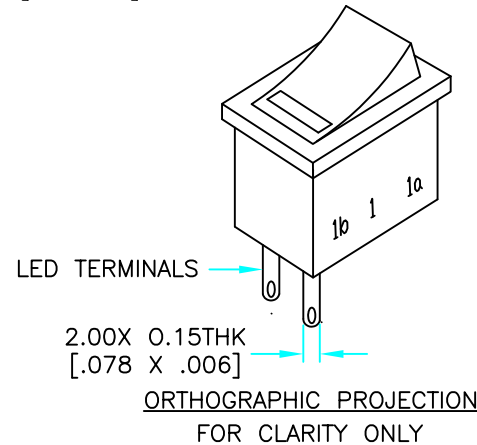
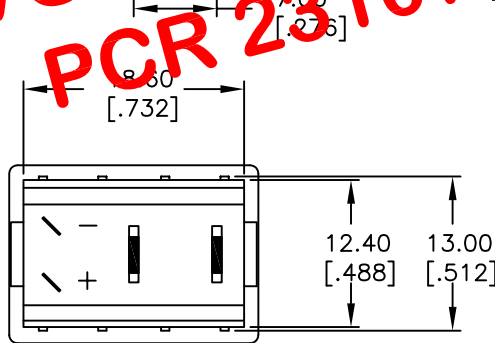
RED L.E.D

| PARAMETERS              | SYMBOL          | MAX. | TYP. | UNITS |
|-------------------------|-----------------|------|------|-------|
| POWER DISSIPATION       | P <sub>D</sub>  | 80   |      | mW    |
| AVERAGE FORWARD CURRENT | I <sub>AF</sub> | --   |      | mA    |
| PEAK FORWARD CURRENT    | I <sub>PF</sub> | 100  |      | mA    |
| REVERSE VOLTAGE         | V <sub>R</sub>  | 5    |      | V     |
| FORWARD VOLTAGE         | V <sub>F</sub>  | 2.1  | 1.7  | V     |
| REVERSE CURRENT         | I <sub>R</sub>  |      | 100  | μA    |
| EMISSION WAVELENGTH     | λ <sub>P</sub>  |      | 660  | nm    |
| LUMINOUS INTENSITY      | I <sub>V</sub>  |      | 30   | mcd   |

WHITE ACTUATOR WHITE HOUSING/BODY



**OBSOLETE**  
November 2017  
PCR 28107



**E-SWITCH®**

|       |          |    |         |     |                        |  |  |  |  |
|-------|----------|----|---------|-----|------------------------|--|--|--|--|
| TITLE |          |    |         |     | R1966A WHT WHT E S RED |  |  |  |  |
| SCALE | DATE     | DR | DWG     | REV |                        |  |  |  |  |
| 1.5:1 | 11/19/02 | MM | M301151 | A   |                        |  |  |  |  |

| A    | 12578   | RELEASED    | 11/19/02 | CJB  |
|------|---------|-------------|----------|------|
| REV. | ECN No. | DESCRIPTION | DATE     | CHKD |
|      |         |             |          |      |

THE INFORMATION CONTAINED IN THIS DOCUMENT IS PROPRIETARY TO E-SWITCH AND IS NOT TO BE COPIED OR TRANSFERRED